

Universal socket strip 3-fold with switch (type E)

Item-No.: 0201x02032301 (1,5 m cord) | 0201x02032303 (3 m cord) | 0201x02032305 (5 m cord)



Robust plastic, grey

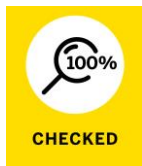
Built-in sockets (90° rotated), round

Extra large space in between sockets 64 mm

1,5 m power cord and angle plug (optional with 3 m or 5 m power cord)


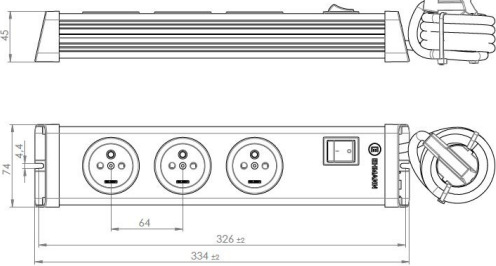
Expanded contact protection by using a shutter

End caps with mounting possibility



Universal socket strip 3-fold with switch (type E)

Technical data

3.600 W Power	230 V ~ (+/- 10%) / 50 Hz Rated voltage	16 A Rated current									
Power Cord: H05VV-F 3G 1,5 mm ² Plug: CEE 7/7 plug Type EF, angled Sockets: earthing contact Type E, French standard Switch: 2-pole, illuminated (red) Consumption per switch: < 0,5 W Safety class: IP20											
 <p>(similar illustration)</p>											
<table border="0"> <tr> <td>Item-No. 0201x02032301 (1,5 m cord)</td> <td>EAN 4012096010258</td> <td>PU 10</td> </tr> <tr> <td>Item-No. 0201x02032303 (3 m cord)</td> <td>EAN 4012096013242</td> <td>PU 10</td> </tr> <tr> <td>Item-No. 0201x02032305 (5 m cord)</td> <td>EAN 4012096011095</td> <td>PU 10</td> </tr> </table>		Item-No. 0201x02032301 (1,5 m cord)	EAN 4012096010258	PU 10	Item-No. 0201x02032303 (3 m cord)	EAN 4012096013242	PU 10	Item-No. 0201x02032305 (5 m cord)	EAN 4012096011095	PU 10	334 x 74 x 47 mm Dimensions (L x W x H) 326 mm Fixing Dimension
Item-No. 0201x02032301 (1,5 m cord)	EAN 4012096010258	PU 10									
Item-No. 0201x02032303 (3 m cord)	EAN 4012096013242	PU 10									
Item-No. 0201x02032305 (5 m cord)	EAN 4012096011095	PU 10									