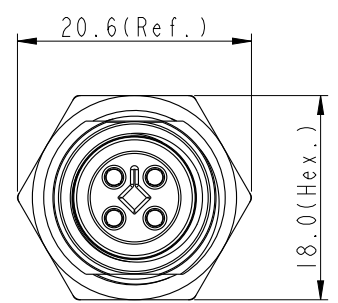
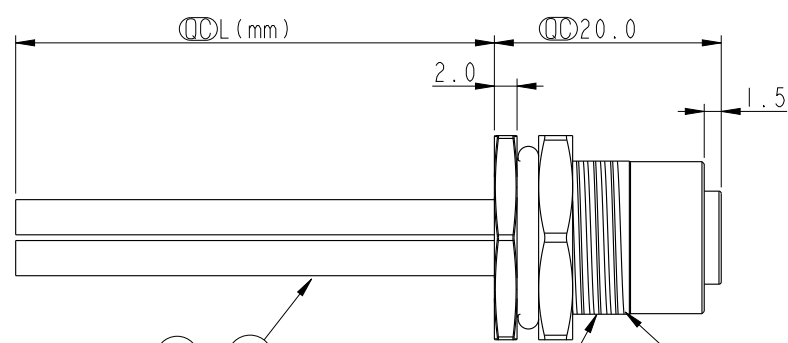
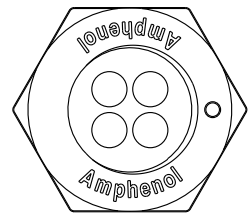


THIS DOCUMENT IS SUBJECT TO CHANGE WITHOUT NOTICE. IT IS CONFIDENTIAL AND A PROPERTY OF Amphenol LTW. DISCLOSURE TO THIRD PARTY HAS TO BE AUTHORIZED BY Amphenol LTW.

REV.	ECN NO.	DATE	SIGN	DESCRIPTION
A	Initial Release	2015/09/09	Cary	Change Rev. 01 to Rev.A

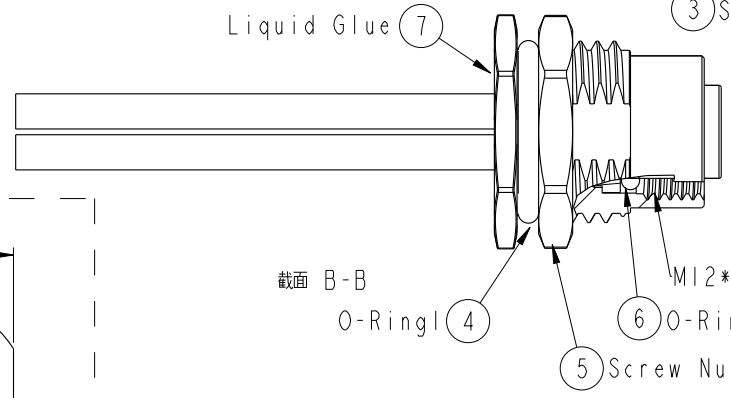
ALTW
CONFIDENTIAL
2015-09-09
R&D DEPT.

ALTW
DCC. DEPT.
CONFIDENTIAL
2015.09.22
ISSUED



Wire Harness (8) ~ (11)

① Connector
② Female Pin
③ Shield

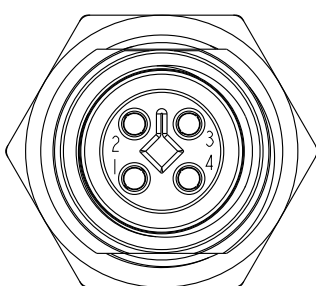


截面 B-B
O-Ring1 (4)
O-Ring2 (6)
Screw Nut (5)

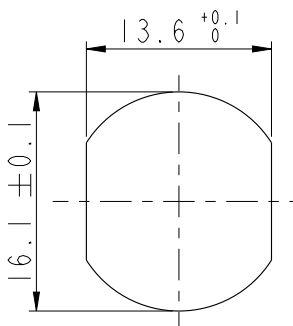
- Note:
- * \varnothing Important Dimension.
 - * Waterproof Rate: IP68.
 - * IP68: 1M Depth of Water In 24hours.
 - * Housing: PA66, UL94V-0, Black.
 - * Female Pin: Copper Alloy, Gold Plated.
 - * Shield: Zinc Alloy, Nickel Plated.
 - * Panel Nut: Zinc Alloy, Nickel Plated.
 - * O-Ring1: Viton, Black.
 - * O-Ring2: Viton, Green.
 - * Wire Harness: UL1015 16AWG (1.5mm²).
 - * Rated Voltage: 60V DC.
 - * Rated Current at 40°C: 12A
 - * Operation Temperature: -40~85°C.
 - * For Panel Thickness Max 4.5mm.
 - * Nut Torque: 4-6 Kgf.cm (0.4~0.6 N.m).
 - * Wire harness Tolerance: 150~300 ±15mm
301~1000 ±20mm
Over 1000 ±40mm

M12T-04PFFS-SF8CXX

XX: 150~1500mm
15: 150mm
30: 300mm
50: 500mm
A0: 1000mm
A5: 1500mm
Wire Length(L): 150~1500mm



Pin Assignment
Front View



Recommended
Panel Cut-Out

4	Black	黑
3	Blue	藍
2	White	白
1	Brown	棕
Conn.	Wire Color	
	Pin Out	

UNIT: mm

TOLERANCE	
.X	±0.25
.XX	±0.1
.XXX	±0.05
ANGLES	±1°

TITLE M12 T-Code 4Pin Female Type			
SCALE 2:1	SIZE A4	SHEET 1 OF 1	
REV. A	WC-REV. A.1	\varnothing : Inspection item	

Amphenol LTW
安費諾亮泰企業股份有限公司

ITEM NO.	DRAWN BY Cary	DATE 2015-09-09
DWG NO. M12T-04PFFS-SF8CXX	CHECKED BY Yu Long	DATE 2015-09-09
CUSTOMER ALTW	APPROVED BY Jerry	DATE 2015-09-09