

Features

- 9 Pin Panel Mount
- SP25 Series
- For 25mm Panel Cutout
- Solder
- Female Contacts
- Threaded Coupling
- With Cap
- Used in Factory Automation, Robotics, Industrial Machinery, Railway & Transportation, Aerospace & Defence, Medical Equipment, Renewable Energy Systems etc.

RS PRO Industrial Circular Connectors

RS Stock No.: 0671583



RS PRO is the own brand of RS. The RS PRO Seal of Approval is your assurance of professional quality, a guarantee that every part is rigorously tested, inspected, and audited against demanding standards. Making RS PRO the Smart Choice for our customers.

Product Description

The RS PRO range of industrial circular cable connectors is engineered for robust and reliable performance in demanding environments. Featuring a circular design for secure mating and easy installation, these connectors deliver outstanding protection against dust, moisture, and mechanical stress. This makes them an ideal choice for industrial automation, robotics, and outdoor applications where durability is critical. Designed to support both power and signal transmission, the connectors offer aesthetic consistency across your project by allowing a single series to be used for multiple functions. They also provide flexible configuration options, with support for panel-to-cable and cable-to-cable connections, ensuring adaptability across a wide range of industries.

General Specifications

| | |
|---------------------------|--|
| Number of Contacts | 9 |
| Shell Material | Polycarbonate, Nylon66, fire resistance: V-0 |
| Insert Material | Polyphenylene Sulphide (PPS) |
| Contact Material | Brass Alloy |
| Contact Plating | Gold |
| Pole Format | 5P + 4P |
| Contact Gender | Female |
| Mating Type | Threaded |
| Mating Cycles | 500 |
| Colour | Black |

Electrical Specifications

| | |
|------------------------------|-------------------------------|
| Plug/Socket | Socket |
| Termination | Solder |
| Current Rating | 5A & 25A |
| Voltage Rating | 500V |
| Insulation Resistance | 2000M Ω |
| Contact Resistance | 5m Ω & 1m Ω Max |

Mechanical Specifications

| | |
|-----------------------|------|
| Connector Size | SP25 |
|-----------------------|------|

| | |
|-----------------------------------|----------------------|
| Contact Diameter | 1mm x 5 & 2.5mm x 4 |
| Panel Cutout Diameter | 25mm |
| Wire size (mm ² / AWG) | ≤0.75 / 18 & ≤4 / 11 |

Operation Environment Specifications

| | |
|-----------------------|---------------|
| Operating Temperature | -40°C to 85°C |
|-----------------------|---------------|

Protection Category

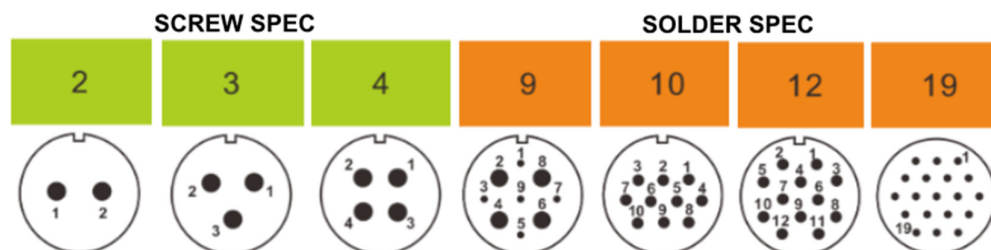
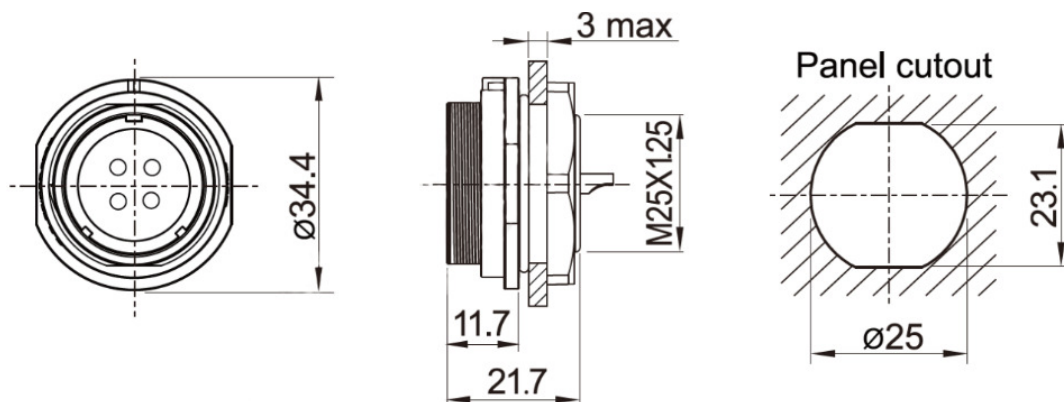
| | |
|-----------|------|
| IP Rating | IP68 |
|-----------|------|

Approvals

| | |
|---------------------------|------|
| Compliance/Certifications | RoHS |
|---------------------------|------|

Mating Parts

| | |
|-----------------|---------|
| Cable Connector | 0671651 |
|-----------------|---------|



Similar Products

| Parameters | 0671580 | 0671581 | 0671582 | 0671584 |
|-----------------------------------|----------|----------|----------|-----------|
| Number of Contacts | 2 | 3 | 4 | 10 |
| Current Rating | 10 | 10 | 10 | 10 |
| Voltage Rating | 500 | 500 | 500 | 500 |
| Contact Gender | Female | Female | Female | Female |
| Termination Method | Screw | Screw | Screw | Solder |
| Wire size (mm²) | 0.5-1.5 | 0.5-1.5 | 0.5-1.5 | ≤2 |
| Contact Diameter | 2.5mm | 2.5mm | 2.5mm | 1.5mm |

| Parameters | 0671585 | 0671586 | 0671587 | 0671588 | 0671590 |
|-----------------------------------|-----------|-----------|----------|----------|----------|
| Number of Contacts | 12 | 19 | 2 | 3 | 4 |
| Current Rating | 10 | 5 | 10 | 10 | 10 |
| Voltage Rating | 500 | 400 | 500 | 500 | 500 |
| Contact Gender | Female | Female | Male | Male | Male |
| Termination Method | Solder | Solder | Screw | Screw | Screw |
| Wire size (mm²) | ≤2 | ≤0.75 | 0.5-1.5 | 0.5-1.5 | 0.5-1.5 |
| Contact Diameter | 1.5mm | 1mm | 2.5mm | 2.5mm | 2.5mm |

| Parameters | 0671591 | 0671592 | 0671593 | 0671594 |
|-----------------------------------|------------|-----------|-----------|-----------|
| Number of Contacts | 9 | 10 | 12 | 19 |
| Current Rating | 5 & 25 | 10 | 10 | 5 |
| Voltage Rating | 500 | 500 | 500 | 400 |
| Contact Gender | Male | Male | Male | Male |
| Termination Method | Solder | Solder | Solder | Solder |
| Wire size (mm²) | ≤0.75 & ≤4 | ≤2 | ≤2 | ≤0.75 |
| Contact Diameter | 1 & 2.5mm | 1.5mm | 1.5mm | 1mm |