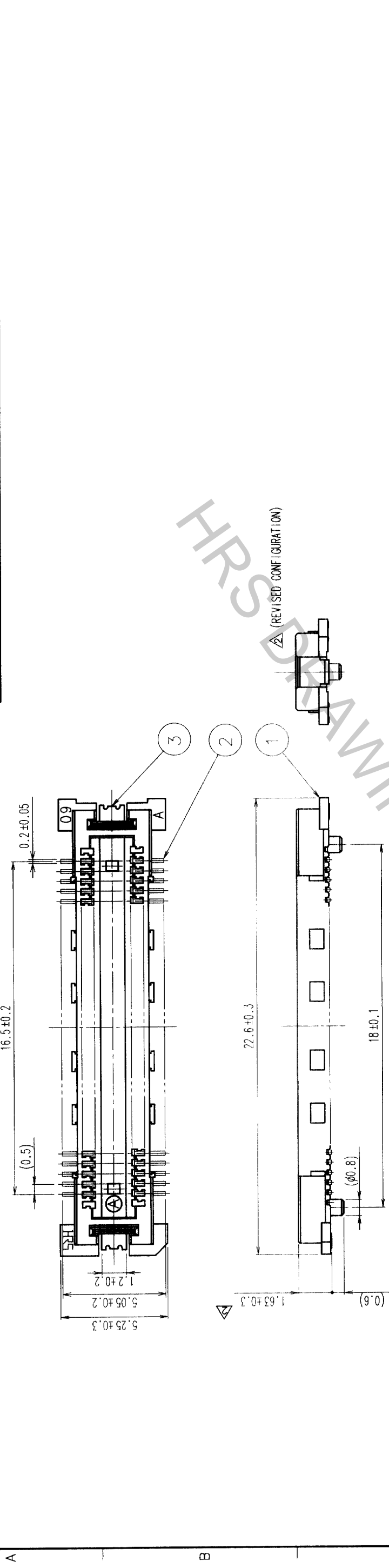
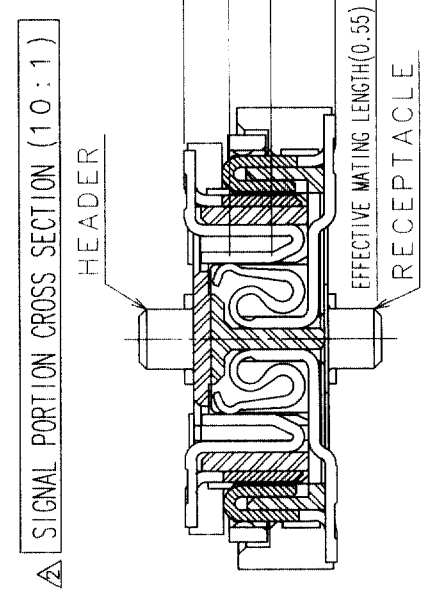
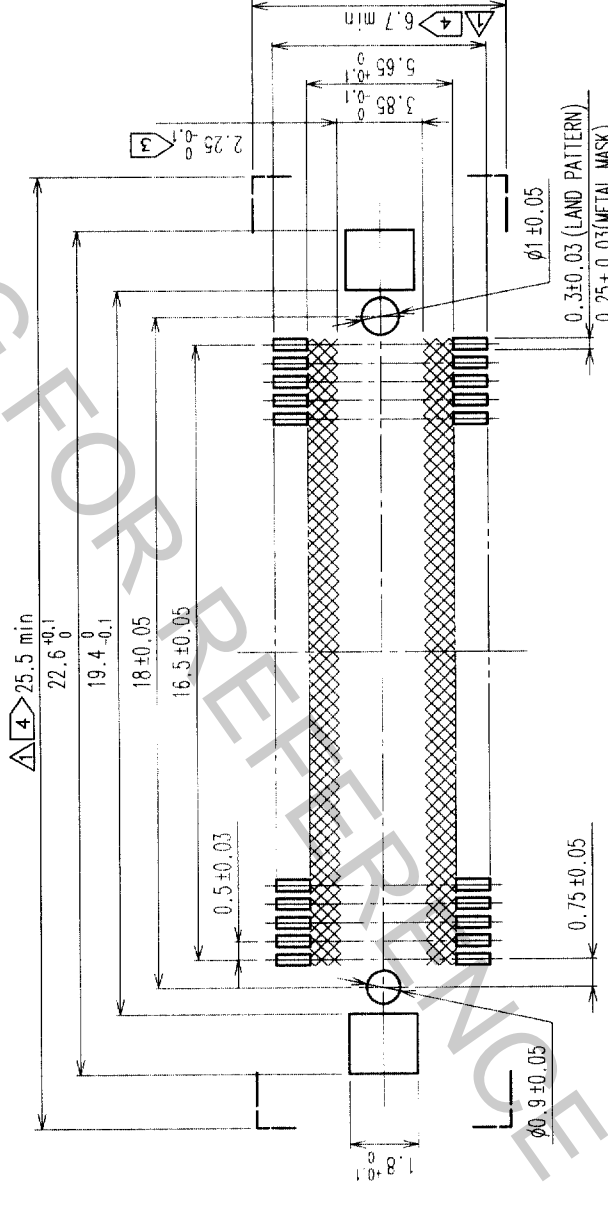


NO.	DESCRIPTION OF REVISIONS	BY	CHKD	DATE	COUNT	DESCRIPTION OF REVISIONS	BY	CHKD	DATE
1	RE-F-06374	J.M.M.		19.05.15	1				
2	RE-F-06522	J.M.M.		19.9.7	1				



RECOMMENDED LAND PATTERN DIMENSION OF PCB



NO.	MATERIAL	FINISH, REMARKS	PHOSPHOR BRONZE	TIN PLATED
2	COPPER ALLOY	CONTACT AREA: GOLD (0.1µm) OVER NICKEL LEAD: GOLD FLASH OVER NICKEL		
1	LCP	BEIGE UL94V-0		

NO.	MATERIAL	FINISH, REMARKS	DESIGNED	CHECKED	APPROVED	RELEASED
3	PHOSPHOR BRONZE	TIN PLATED				
NO.	MATERIAL	FINISH, REMARKS	DESIGNED	CHECKED	APPROVED	RELEASED
990212	J. Matsukawa		J. Matsukawa	Y. Yoshimura	Y. Yoshimura	
990212			990212	990212	990212	990212

DRAWING NO.	PART NO.
EDC3-152100	FX111LA-68P-SV

SCALE	UNITS	CODE NO.
5:1	mm	CL573-0042-1

NOTES
 1 SMT LEAD-COPLANARITY: 0.1 MAX.
 2 THIS PRODUCT HAS NO POLARITY TO PATTERN FOR MOUNTING.
 3 MAKE SURE WIDTH OF PATTERN IS WITHIN THAT OF LAND, OR LEAD MAY TOUCH PATTERN. (THIS APPLIES TO HATCHED AREA.)
 4 DO NOT MOUNT OTHER DEVICES ONTO [] AREA, OR MATING PAIR CANNOT BE MATED.

TO	
PCK	