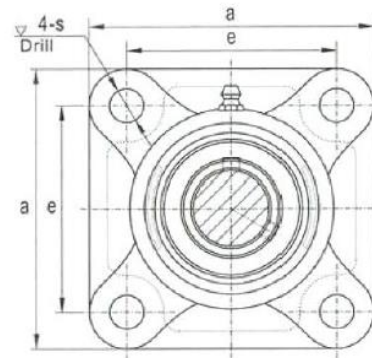
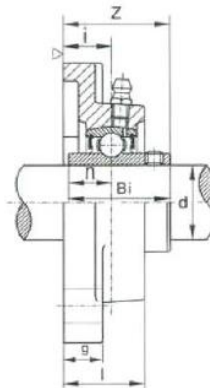


4 Bolt Flange Bearing unit - Metric



RS Article no.	Bearing unit No.	Shaft Dia. d (mm)	Dimension (mm)									Bolt used (mm)	Bearing No.	Housing No.	Weight (kg)
			a	e	i	g	l	s	z	Bi	n				
7508762	UCF201	12	86	64	15	12	25.5	12	33.3	31.0	12.7	M10	UC 201	F 201	0.63
7508766	UCF202	15	86	64	15	12	25.5	12	33.3	31.0	12.7	M10	UC 202	F 202	0.63
7508775	UCF203	17	86	64	15	12	25.5	12	33.3	31.0	12.7	M10	UC 203	F 203	0.63
7508778	UCF204	20	86	64	15	12	25.5	12	33.3	31.0	12.7	M10	UC 204	F 204	0.63
7508781	UCF205	25	95	70	16	14	27.0	12	35.7	34.0	14.3	M10	UC 205	F 205	0.82
7508784	UCF206	30	108	83	18	14	31.0	12	40.2	38.1	15.9	M10	UC 206	F 206	1.1
7508788	UCF207	35	117	92	19	16	34.0	14	44.4	42.9	17.5	M12	UC 207	F 207	1.5
7508790	UCF208	40	130	102	21	16	36.0	16	51.2	49.2	19.0	M14	UC 208	F 208	1.9
7508794	UCF209	45	137	105	22	18	38.0	16	52.2	49.2	19.0	M14	UC 209	F 209	2.3
7508804	UCF210	50	143	111	22	18	40.0	16	54.6	51.6	19.0	M14	UC 210	F 210	2.5
7508801	UCF211	55	162	130	25	20	43.0	19	58.4	55.6	22.2	M16	UC 211	F 211	3.4
7508810	UCF212	60	175	143	29	20	48.0	19	68.7	65.1	25.4	M16	UC 212	F 212	4.4