

Preparation of compressed air → Maintenance units and components

Pressure regulator, Series NL4-RGS

► G 3/8 - G 3/4 ► Qn = 5600 l/min ► ATEX certified



00107354

<p>ATEX Regulator type</p> <p>Function Installation location Pressure supply Ambient temperature min./max. Medium temperature min./max. Working pressure min./max. Adjustment range min./max. Medium</p> <p>Materials: Housing Cover Seal</p>	<p>II 2G2D X Diaphragm-type pressure regulator, Can be assembled into blocks with relieving air exhaust arbitrary single -10 °C / +60 °C -10 °C / +60 °C See table below See table below Compressed air</p> <p>Die cast zinc Acrylonitrile butadiene styrene Acrylonitrile Butadiene Rubber</p>
---	---

Technical Remarks

- The pressure dew point must be at least 15 °C under ambient and medium temperature and may not exceed 3 °C.
- Recommended pre-filtering: 5 µm

	Port	Qn	Working pressure min./max.	Adjustment range min. - max..	Weight	Part No.
	G 3/8	5600	0.5 / 16	0.1 - 3	0.935	0821302530
	G 3/8		0.5 / 16	0.2 - 6		0821302531
	G 3/8		0.5 / 16	0.5 - 10		0821302520
	G 1/2		0.5 / 10	0.1 - 3		0821302505
	G 1/2		0.5 / 16	0.2 - 6		0821302580
	G 1/2		0.5 / 16	0.5 - 10		0821302500
	G 3/4		0.5 / 16	0.1 - 3		0821302544
	G 3/4		0.5 / 16	0.2 - 6		0821302545
	G 3/4		0.5 / 16	0.5 - 10		0821302540
	G 3/8	5600	0.5 / 16	0.1 - 3	0.85	0821302532
	G 3/8		0.5 / 16	0.2 - 6		0821302533
	G 3/8		0.5 / 16	0.5 - 10		0821302521
	G 1/2		0.5 / 10	0.1 - 3		0821302504
	G 1/2		0.5 / 10	0.2 - 6		0821302506
	G 1/2		0.5 / 16	0.5 - 10		0821302501
	G 3/4		0.5 / 16	0.1 - 3		0821302546
	G 3/4		0.5 / 16	0.2 - 6		0821302547
G 3/4	0.5 / 16	0.5 - 10	0821302541			

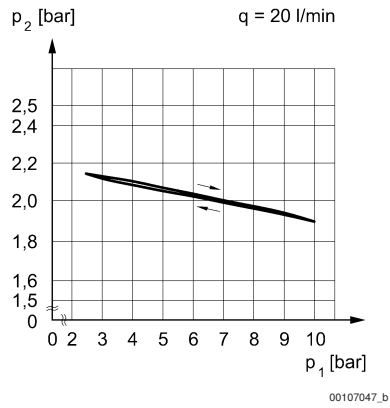
nominal flow Qn with secondary pressure 6 bar at Δp = 1 bar

Preparation of compressed air → Maintenance units and components

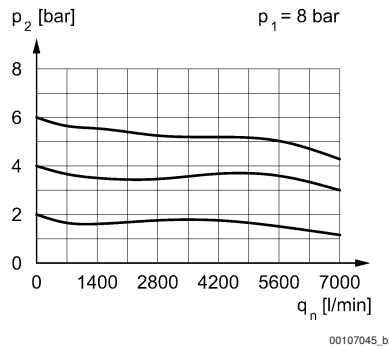
Pressure regulator, Series NL4-RGS

▶ G 3/8 - G 3/4 ▶ Qn = 5600 l/min ▶ ATEX certified

Pressure characteristics curve

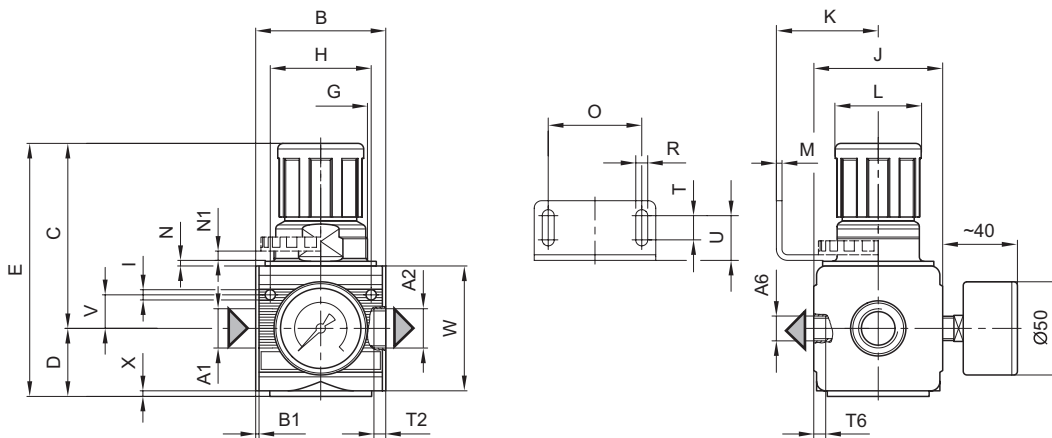


p_1 = working pressure; p_2 = secondary pressure; q = flow rate

Flow rate characteristic (setting range p_2 : 0.5 - 10 bar)

p_1 = working pressure; p_2 = secondary pressure; q_n = nominal flow

Dimensions



00107355

Preparation of compressed air → Maintenance units and components

Pressure regulator, Series NL4-RGS

► G 3/8 - G 3/4 ► Qn = 5600 l/min ► ATEX certified

A1	A2	A6	B	B1	C	D	E	G	H	I	J	K	L
G 3/8	G 3/8	G 1/4	69.5	1.8	97	35.5	132.5	M50x1,5	54	5.5	69	54.5	46
G 1/2	G 1/2	G 1/4	69.5	1.8	97	35.5	132.5	M50x1,5	54	5.5	69	54.5	46
G 3/4	G 3/4	G 1/4	69.5	1.8	97	35.5	132.5	M50x1,5	54	5.5	69	54.5	46

A1	M	N	N1	O	R	S	T	T2	T6	U	V	W	X
G 3/8	3	3	5.5	50	6.4	10	13	13	10	24	18	67	2
G 1/2	3	3	5.5	50	6.4	10	13	13	10	24	18	67	2
G 3/4	3	3	5.5	50	6.4	10	13	13	10	24	18	67	2
