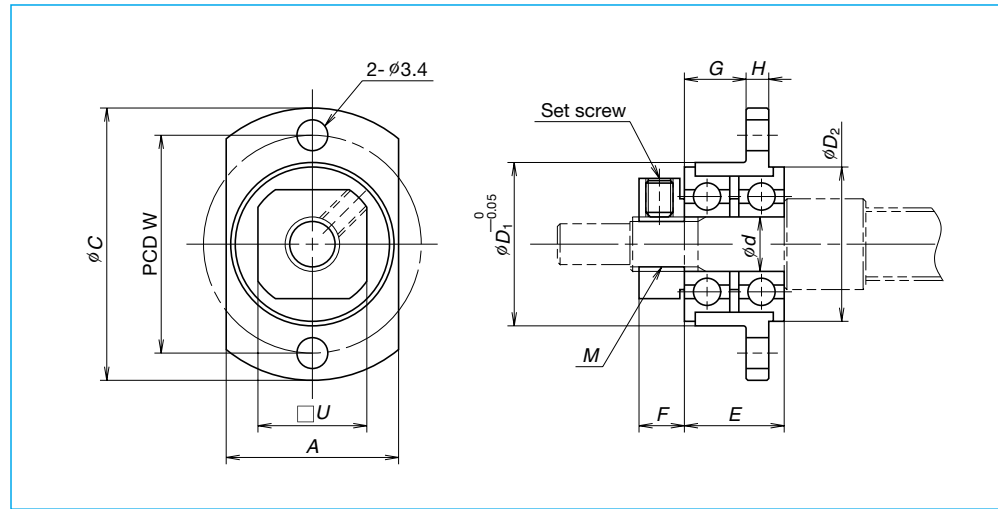


Support kits for miniature ball screws

Support kits are for the RMS precision rolled miniature ball screw series.

However, please use support units for general use in case of RMA1002 or larger rolled ball screws.



Units: mm

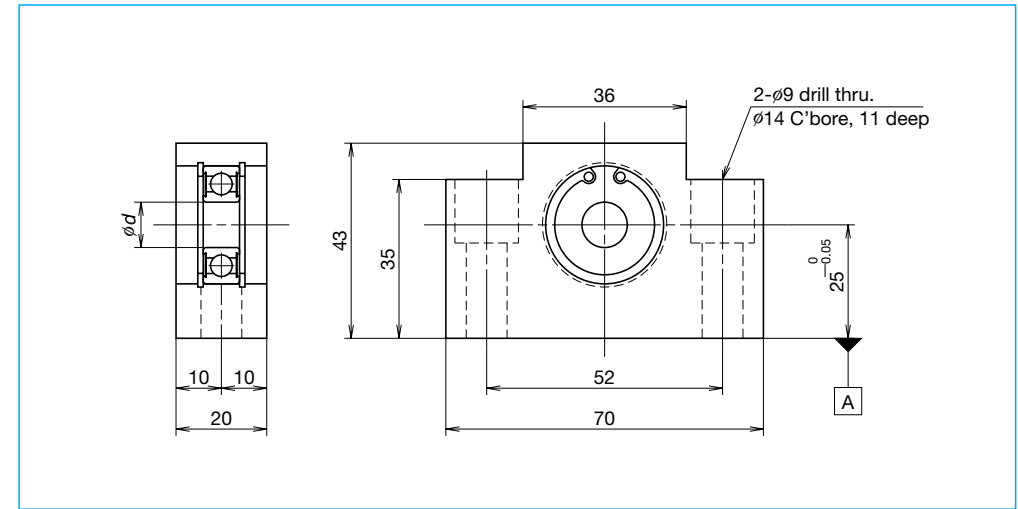
Reference no.	A	C	d	D ₁	D ₂	E	F	G	H	W	U	M
WBK04R-11	14	25	4	13	12.5	9	5	5	2.5	19	10	M4×0.5
WBK06R-11	19	30	6	18	17	11	5	6.8	2.5	24	12	M6×0.75

Reference no.	Applicable ball screw	Locknut tightening torque (reference) [N-cm]	Setscrew tightening torque (reference) [N-cm]
WBK04R-11	RMA0601	147	38 (M2.5)
WBK06R-11	RMA0801 RMA0801.5 RMA0802	245	69 (M3)

Notes:

- Oscillate bearings slowly so that they fall into a place to make run-out of mounting face minimal, and then tighten a locknut.
- A support kit is put on a provisional shaft (bolt) for shipping.

Simple support side support units for VFA ball screws



Units: mm

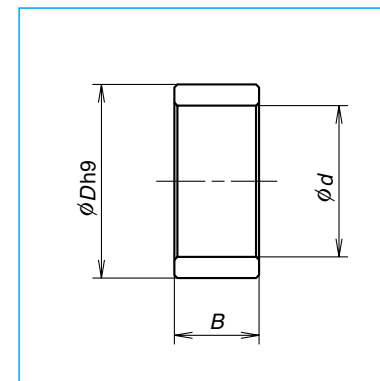
Reference no.	d	Applicable ball screw
WBK12SF-01	12	VFA1210
WBK15SF-01	15	VFA1510 VFA1520

Notes:

- Use datum face A for mounting to a machine base.
- This type is exclusively made for simple support side units for NSK VFA ball screws. This unit supports a ball screw outside of a screw shaft.

Spacer

It requires an optional spacer to the side where ball thread is cut through, such as a rolled ball screw shaft when mounting the support unit for fixed support side.



Units: mm

Reference no.	Internal diameter, d	Outside diameter, D	Width B	Applicable support unit
WBK06K	6	9.5	5.0	WBK06- **
WBK08K	8	11.5	5.5	WBK08- **
WBK10K	10	14.5	5.5	WBK10- **
WBK12K	12	15.0	5.6	WBK12- **
WBK15K	15	19.5	10.0	WBK15- **
WBK17K	17	24.4	7.0	WBK17- **
WBK20K	20	25.5	11.0	WBK20- **
WBK25K	25	32.0	14.0	WBK25- **