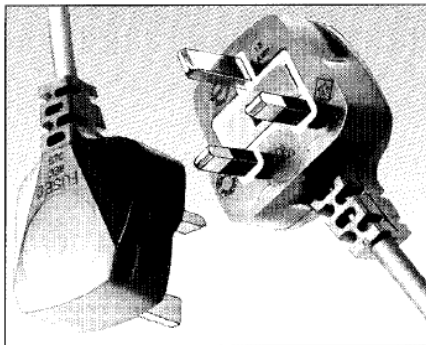


Datasheet

1.5m Power Cord 2.5A C7 (BS1363) to C7, 250V

RS Stock number 452-669

13 Amp 250V 3 Pin Fused Plug



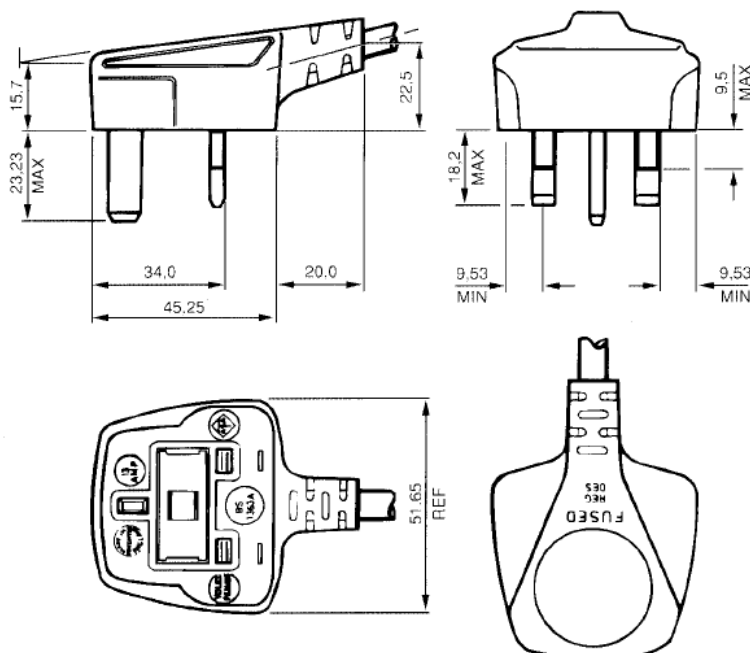
Description

Featuring double insulation the plug has all wire connections crimped on specialised semi-automatic equipment to ensure consistent safety and reliability. The plus is supplied with solid brass semi-insulated pins.

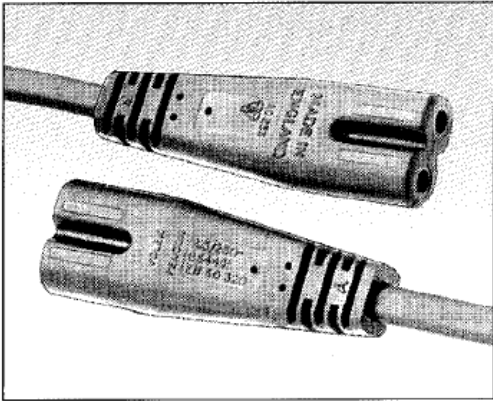
Product Specification

Operating voltage	250V ac
Current Rating	13A
Insulation Resistance	>10MΩ
Cable Retention	0.5mm ² -1mm ² >30N 1.25mm ² -1.5mm ² >60N
Outside Body	PVC
Terminals	Brass (solid)
Fuse	To suit appliance rating

Dimensions in mm



2.5A Class 2 Straight Appliance Connector for Cold Conditions



Description

An injection moulded inner plastic shell provides double insulation and gives an effective barrier between terminations ensuring the absence of moulding 'flash' within the connector – essential to ensure an efficient and consistent electrical contact. The connector terminals are manufactured from phosphor bronze and incorporate crimped connections for greater safety and reliability.

Product Specification

Operating Voltage	250V ac
Current Rating	2.5A
Insulation Resistance	>10MΩ
Withdrawal Force	10N min 50N max
Cable Retention	>50N
Outside Body	PVC
Terminals	Phosphor Bronze

Dimensions in mm

