



Brand of NTN corporation

Technical data

UCT212
Bearing units

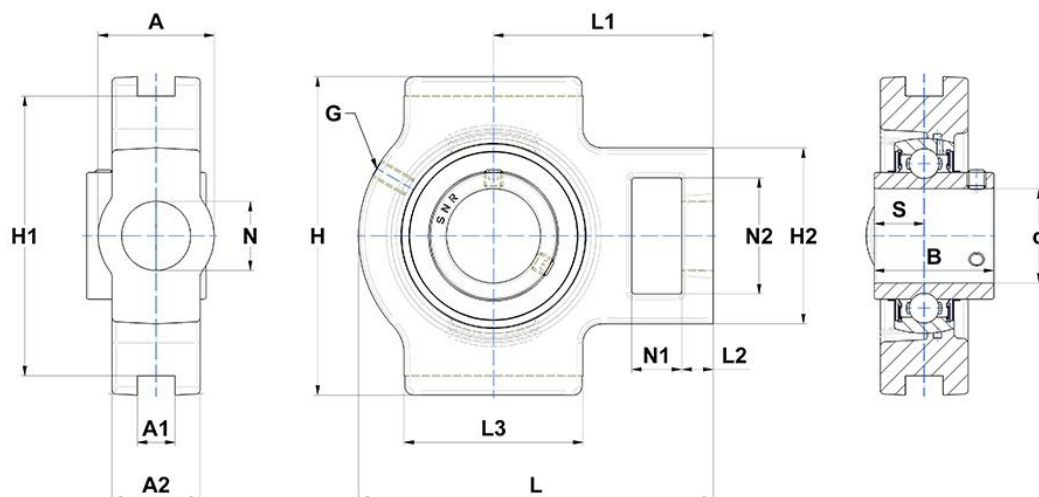


Grey cast housing, radial insert ball bearing with socket set screws, seal with slinger

KIT CONTENT

UC212G2, T212

VISUAL (S)



PRODUCT DEFINITION

Brand	SNR
A - Housing width	64 mm
A1 - Width of location slot	22 mm
A2	42 mm
B - Width of Inner Ring	65,1 mm
d - Shaft diameter	60 mm



NTN Europe

1 rue des Usines · BP 2017 · 74010 Annecy Cedex · France · Tel. +33 (0)4 50 65 30 00
S.A. au capital de 322 639 919 € · RCS ANNECY B 325 821 072 · Id. Fiscale : FR 48 325 821 072
SIRET 325 821 072 00015 · Code APE 2815 Z · Code NACE 28.15

PRODUCT DEFINITION

G - Grease fitting	M6x1
H - Housing length, width or diameter	146 mm
H1 - Distance between location slots	130 mm
H2 - Housing height / width	102 mm
L - Housing length	194 mm
L1 - Distance attachment end face to bearing centerline	119 mm
L2 - Thickness of attachment end	19 mm
L3 - Length of guidance slot/face	102 mm
N - Mounting hole dimension	35 mm
N1 - Length of attachment slot	32 mm
N2 - Height of attachment slot	64 mm
S - Distance front side/bearing centre	25,4 mm

PRODUCT PERFORMANCE

C - Dynamic load rating	52500000 mN
C0 - Static load rating	32800000 mN
Operating temperature min.	253,15 °K
Operating temperature max.	373,15 °K

OTHER FEATURES

Mass	4,73 kg
Recommended tightening torque for set screw	22 N-m

