

# Network cable - VS-PPC/ME-PPC/ME-93C-LI/5,0



1416219

<https://www.phoenixcontact.com/gb/products/1416219>

Please be informed that the data shown in this PDF document is generated from our Online Catalog. Please find the complete data in the user documentation. Our General Terms of Use for Downloads are valid.



Assembled PROFINET cable, CAT5e, shielded, star quad, AWG 22 flexible cable conduit capable (7-wire), RAL 6018 (yellow-green), RJ45 plug/IP67 push-pull metal housing on RJ45 plug/IP67 push-pull metal housing, line, length 5 m

## Commercial Data

|                                      |                                |
|--------------------------------------|--------------------------------|
| Item number                          | 1416219                        |
| Packing unit                         | 1 pc                           |
| Minimum order quantity               | 1 pc                           |
| Note                                 | Made to Order (non-returnable) |
| Sales Key                            | ABNEAI                         |
| Product Key                          | ABNEAI                         |
| Catalog Page                         | Page 308 (PC-2011)             |
| GTIN                                 | 4046356474771                  |
| Weight per Piece (including packing) | 452.9 g                        |
| Weight per Piece (excluding packing) | 452.9 g                        |
| Customs tariff number                | 85444210                       |
| Country of origin                    | PL                             |

## Technical Data

### Product properties

|                      |                         |
|----------------------|-------------------------|
| Product type         | Data cable preassembled |
| Number of positions  | 4                       |
| Connection profile   | RJ45 8(4)               |
| No. of cable outlets | 1                       |
| Locking type         | Push Pull               |
| Shielded             | yes                     |
| Cable outlet         | straight                |

### Insulation characteristics

|                      |   |
|----------------------|---|
| Overvoltage category | I |
| Degree of pollution  | 2 |

### Electrical properties

|                     |        |
|---------------------|--------|
| Transmission medium | Copper |
|---------------------|--------|

### Material specifications

|  |    |
|--|----|
| Flammability rating according to UL 94 | V0 |
|--|----|

### Connector

|                             |       |
|-----------------------------|-------|
| Insertion/withdrawal cycles | ≥ 250 |
|-----------------------------|-------|

#### Connection 1

|                      |       |
|----------------------|-------|
| Material             | Metal |
| Degree of protection | IP67  |

#### Connection 2

|          |       |
|----------|-------|
| Material | Metal |
|----------|-------|

### Cable / line

|                                 |                                |
|---------------------------------|--------------------------------|
| Cable length                    | 5.00 m                         |
| Cable weight                    | 61.00 kg/km                    |
| Cable type                      | PROFINET                       |
| Cable structure                 | 1x4xAWG22/7; SF/TQ             |
| External cable diameter         | 6.50 mm                        |
| Outer sheath, material          | PUR                            |
| External sheath, color          | green RAL 6018                 |
| Conductor material              | Tin-plated Cu litz wires       |
| Conductor structure signal line | 7x 0.25 mm                     |
| AWG signal line                 | 22                             |
| Wire diameter incl. insulation  | approx. 1.5 mm                 |
| Single wire, color              | White, yellow, blue, orange    |
| Wave impedance                  | 100 Ω ±15 Ω (at 1 ... 100 MHz) |

# Network cable - VS-PPC/ME-PPC/ME-93C-LI/5,0



1416219

<https://www.phoenixcontact.com/gb/products/1416219>

|   |                    |
|---|--------------------|
| Smallest bending radius, fixed installation   | 33 mm              |
| Smallest bending radius, movable installation | 50 mm              |
| Number of bending cycles                      | 3000000            |
| Bending radius                                | 200 mm             |
| Traversing rate                               | 4 m/s              |
| Acceleration                                  | 4 m/s <sup>2</sup> |
| Smallest bending radius, fixed installation   | 33 mm              |
| Smallest bending radius, movable installation | 50 mm              |
| Number of bending cycles                      | 3000000            |
| Bending radius                                | 200 mm             |
| Traversing rate                               | 4 m/s              |
| Acceleration                                  | 4 m/s <sup>2</sup> |

## Ambient conditions

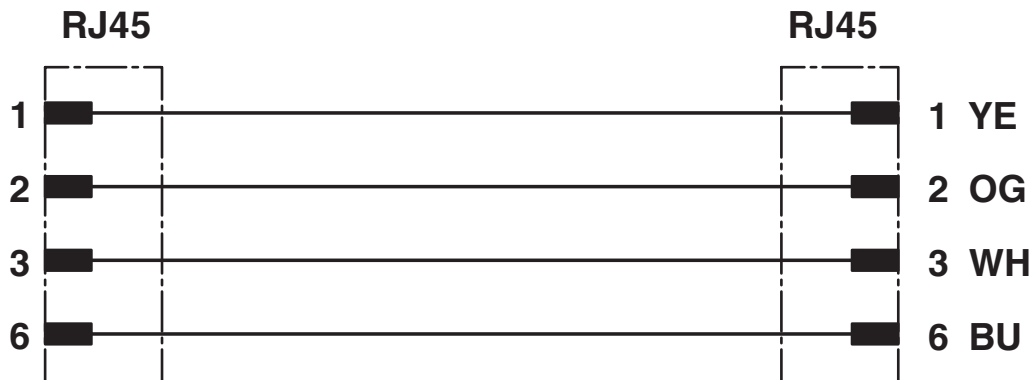
|                      |           |
|----------------------|-----------|
| Degree of protection | IP65      |
|                      | IP67      |
| Degree of protection | IP65/IP67 |

## Standards and regulations

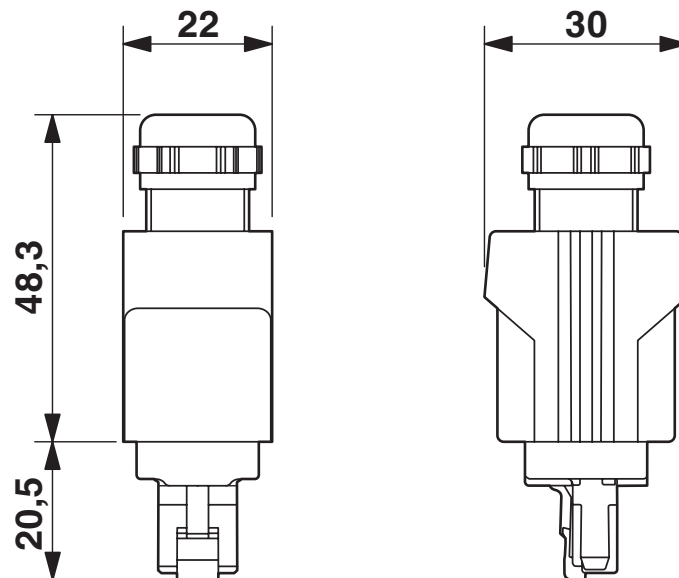
|                          |                     |
|--------------------------|---------------------|
| Standards/specifications | IEC PAS 61076-3-117 |
|--------------------------|---------------------|

## Drawings

Circuit diagram



Dimensional drawing



Push-pull RJ45 connector IP65/67

# Network cable - VS-PPC/ME-PPC/ME-93C-LI/5,0



1416219

<https://www.phoenixcontact.com/gb/products/1416219>

## Approvals



**EAC**

Approval ID: 19060508

# Network cable - VS-PPC/ME-PPC/ME-93C-LI/5,0



1416219

<https://www.phoenixcontact.com/gb/products/1416219>

## Classifications

### ECLASS

|               |          |
|---------------|----------|
| ECLASS-9.0    | 27060308 |
| ECLASS-10.0.1 | 27060308 |
| ECLASS-11.0   | 27060308 |

### ETIM

|          |          |
|----------|----------|
| ETIM 8.0 | EC002599 |
|----------|----------|

### UNSPSC

|             |          |
|-------------|----------|
| UNSPSC 21.0 | 26121600 |
|-------------|----------|

# Network cable - VS-PPC/ME-PPC/ME-93C-LI/5,0



1416219

<https://www.phoenixcontact.com/gb/products/1416219>

## Environmental Product Compliance

|            |  |
|------------|--|
| China RoHS | Environmentally Friendly Use Period = 50 years<br>For information on hazardous substances, refer to the manufacturer's declaration available under "Downloads" |
|------------|--|

Phoenix Contact 2022 © - all rights reserved  
<https://www.phoenixcontact.com>

PHOENIX CONTACT Ltd  
Halesfield 13, Telford  
Shropshire, TF7 4PG  
01952 681700  
[info@phoenixcontact.co.uk](mailto:info@phoenixcontact.co.uk)