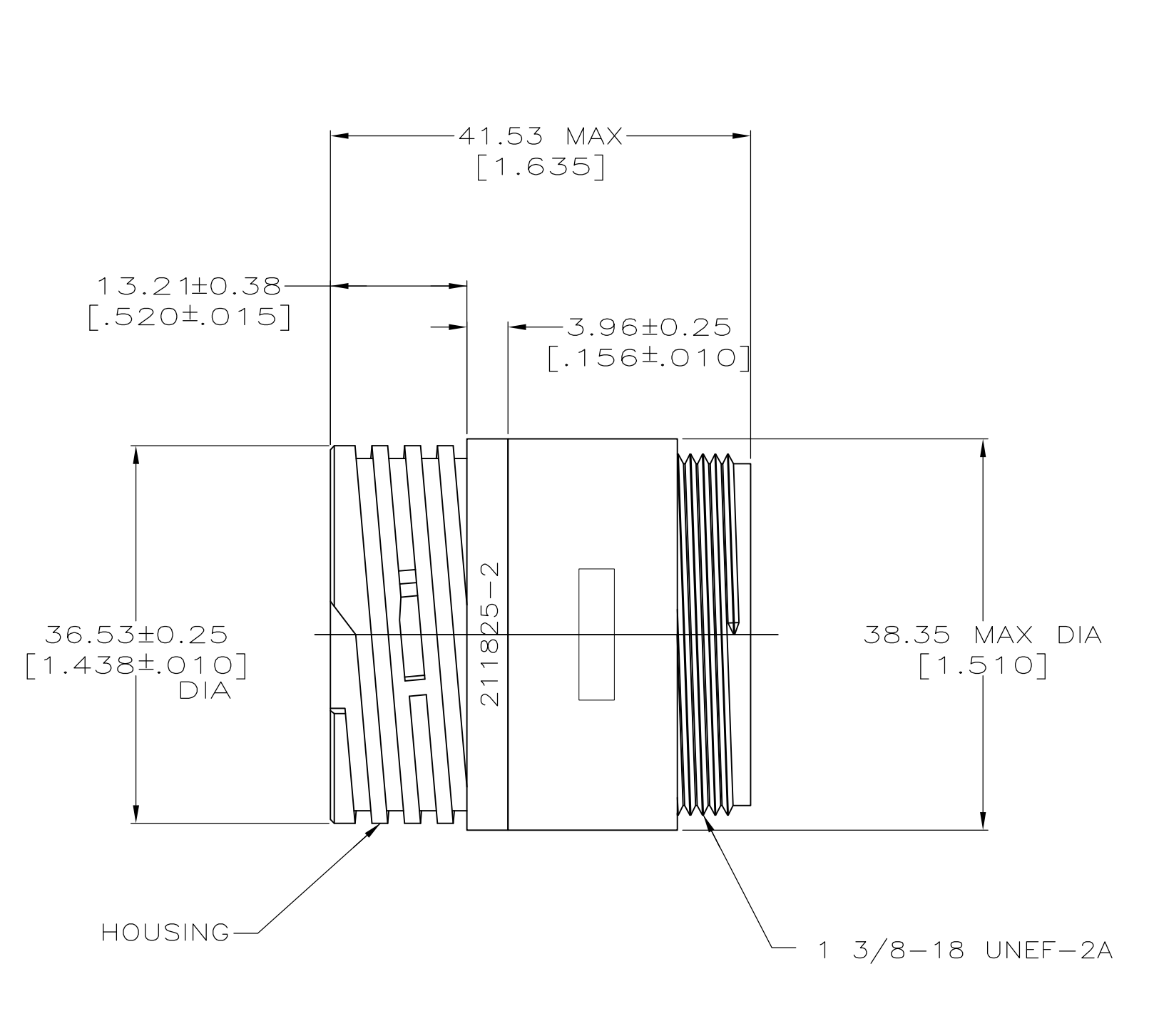
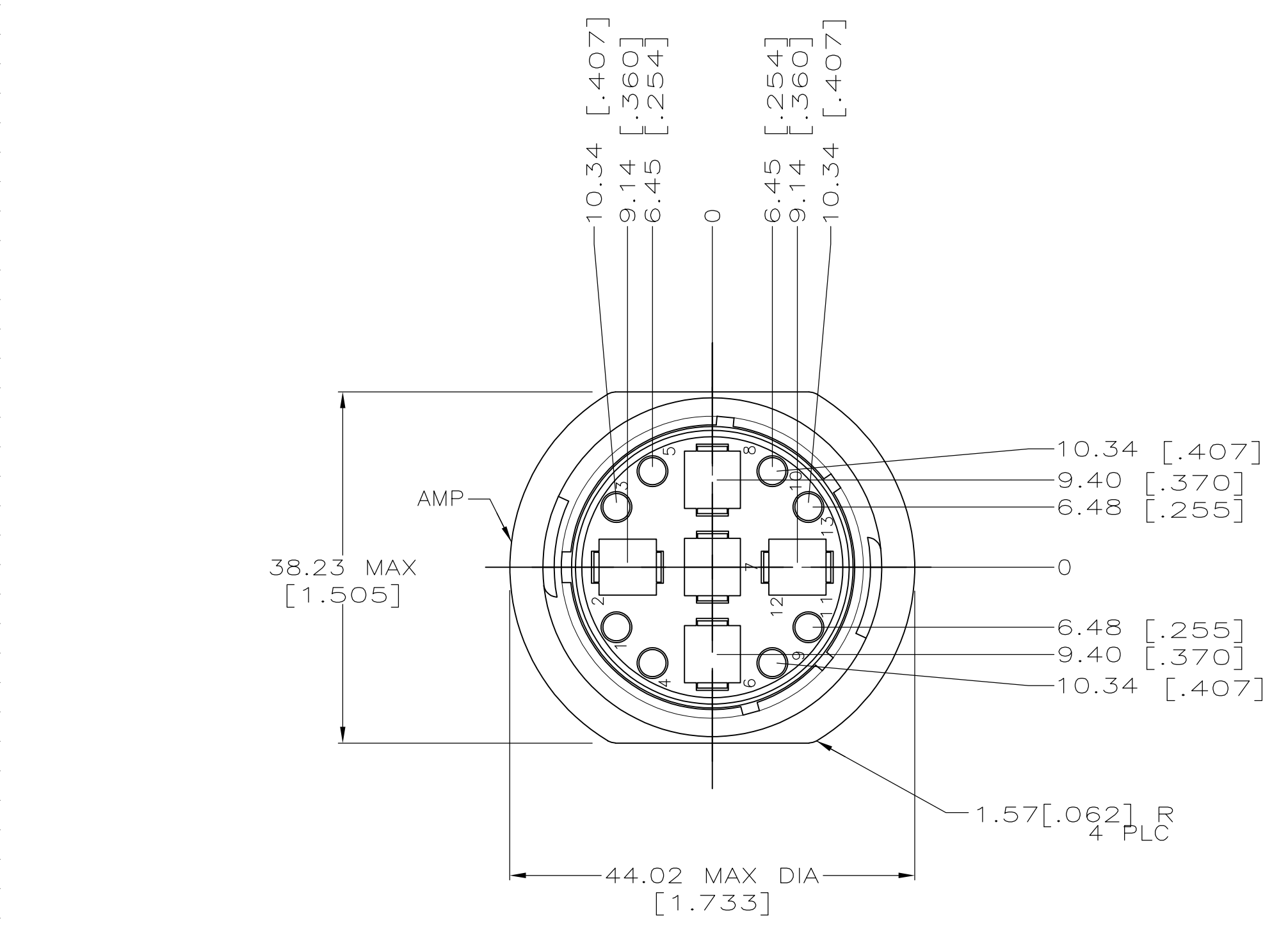


DETAIL A



DETAIL B

1. WILL ACCEPT (8) MULTIMATE PINS AND (5) TYPE XII MALE CONTACTS.
2. CAVITY IDENTIFICATION ON FRONT AND REAR FACE.
3. NO. 4 FASTENERS RECOMMENDED FOR MOUNTING.
4. MAX WIRE INSULATION DIAMETERS:
MULTIMATE: 3.43[.135] MAX DIA.
TYPE XII: 5.59[.220] MAX DIA.
5. THIS RECEPTACLE MATES WITH PLUG ASSEMBLY 211824-1.
6. OBSOLETE PARTS: OBSOLETE CIS STREAMLINING PER D.RENAUD/D.SINISI

OBSOLETE	YES	A	211825-3
	NO	B	211825-2
	NO	A	211825-1
PERIPHERAL SEAL	SEE DETAIL	PART NUMBER	

THIS DRAWING IS A CONTROLLED DOCUMENT.		DWN M. RINNER 05/26/94	APVD A. FRANTUM 7-13-94	NAME RECEPTACLE HOUSING, STANDARD SEX, SHELL SIZE 23, CPC
DIMENSIONS: mm [INCHES]	TOLERANCES UNLESS OTHERWISE SPECIFIED:	CHK R. STONE 6-23-94	PRODUCT SPEC 108-10024	SIZE A1
MATERIAL HOUSING: NYLON, BLACK		FINISH -	APPLICATION SPEC -	WEIGHT -
CUSTOMER DRAWING			SCALE 2:1	SHEET 1 OF 1

THIS DRAWING IS A CONTROLLED DOCUMENT FOR AMP INCORPORATED. IT IS SUBJECT TO CHANGE AND THE CONTROLLING ENGINEERING ORGANIZATION SHOULD BE CONTACTED FOR THE LATEST REVISION.