

Redring Service

We offer a technical Advisory Service to contractors and other customers with problems in the field. Remember to quote the exact type of heater as stated on the rating plate/octagonal faces of brass head.

Tel: 01733 314057

Redring Electric Limited

Peterborough PE2 9JJ

REDRING IS A GEC COMPANY

Accessories

85-694026	BRASS REDUCER (2½" - 2¼" BSP)
85-694027	BRASS BACKNUT (2¼" BSP)
85-694028	MECHANICAL FIXING FLANGE (2¼" BSP) for flat tank
85-694029	MECHANICAL FIXING FLANGE (2¼" BSP) for Domed tank

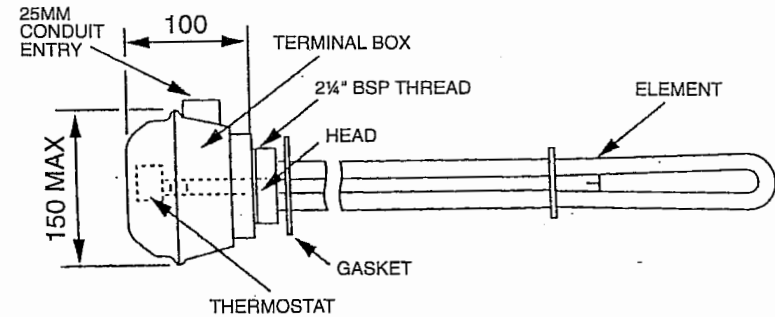
Guarantee

We, Redring Electric, guarantee that should this heater prove to be defective by reason of faulty workmanship or material within 12 months of the date of purchase or commencement of hire purchase we will replace the defective parts FREE OF CHARGE on condition that:

- The appliance has been correctly installed and used only on the supply circuit or voltage stamped on the rating plate.
- The appliance has been used in accordance with these instructions and has not been tampered with otherwise subjected to misuse, neglect or accident.
- The appliance has not been taken apart, modified or repaired except by a person authorised by us.
- EVIDENCE of the date of purchase in the form of an invoice, receipt (or hire purchase documents) is included with the appliance if returned under guarantee.



USER INSTRUCTIONS INDUSTRIAL IMMERSION HEATERS RY SERIES



Elements

These are Incoloy 825 sheathed and must be totally immersed in water before energisation.

Head

This is made from brass. The elements and thermostat pocket are brazed into the head.

Terminal Box

A moulded polypropylene box with 25mm conduit threaded cable entry. Drip proof to IP55.

Thermostat

An adjustable, stem type thermostat with single pole contracts rated at 13A is fitted.

SAFETY NOTE

All users are strongly recommended to study "Safety Guidelines for Industrial Electrical Heaters" obtainable from BNCE, 30 Mill Bank, London SW1P 4RD. Telephone 0171 834 2333.

Installation

The head features octagonal faces and 2¼" B.S.P. thread for fitting into a tank through a suitable boss. The gasket supplied should be fitted to act as a seal between the immersion heater head and the tank boss. To get the best service and optimum stratification, ensure the heater is mounted horizontally at the bottom of the tank. Care must be taken to ensure that the elements remain immersed at all times and are not allowed to run in sludge in order to avoid "Burning out". The terminal box can be rotated on the head for the most convenient entry: This is achieved by slackening the nuts on the two short studs, rotating to the ideal position and re-tightening the nuts. One stud is identified by E and the symbol \perp and has a second nut and washer arrangement to secure the earth wire.

3kW to 12kW heaters are suitable for 3 phase, 4 wire, 400V/415V operation or single phase operation by linking the 3 line terminals (see figure 1); 2kW heaters for single phase 230V/240V operation only (see figure 2); and 18kW heaters for 3 phase, 3 wire, 400V/415V operation only (see figure 3).

As with all electrical equipment of this type it is strongly recommended to fit ELCB (RCD) protection (see safety note below). Wiring must be carried out by a competent person to the

requirements of the current edition of the IEE regulations and to satisfy HSE legislation.

The heater should be connected to the supply point with a suitable high temperature cable.

The control thermostat contacts must be suitably rated if this is to be fitted in series with the heater. Otherwise it must be wired to control a contractor suitable for the heater rating.

Cleaning and Maintenance

Whilst the heater does not attract deposits, in hard water areas scale may accumulate. It is essential that the heater section is cleaned frequently in these cases to avoid overheating and premature failure. This must be carried out carefully to avoid damaging the element sheath material.

Statement of conformance with European Harmonised Directives

Industrial Immersion Heaters are manufactured to BS3456 Part 2 Section 2.21 and BS3456 Part 1 and will comply with the directives if fitted to correctly designed equipments. If automatic switching is utilised your system design must satisfy the requirements of EN 60555-3.

LEGENDS	
\ominus	TERMINAL FOR CUSTOMER CONNECTION
H	HEATER ELEMENT
THT	THERMOSTAT (CONTACT RATING 13A 250V)

Fig 1
3 Phase, 4 Wire Connection shown

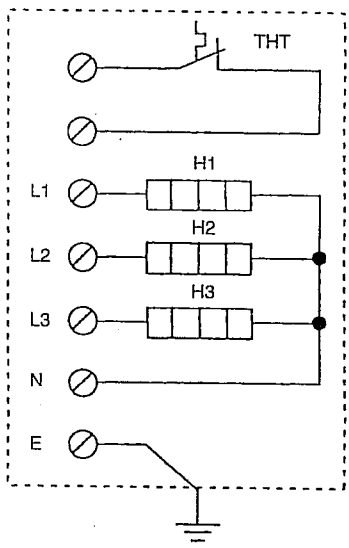


Fig 2
2kW Version only

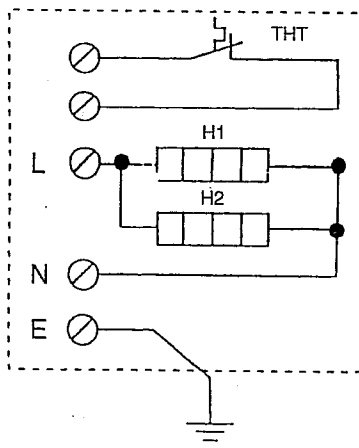
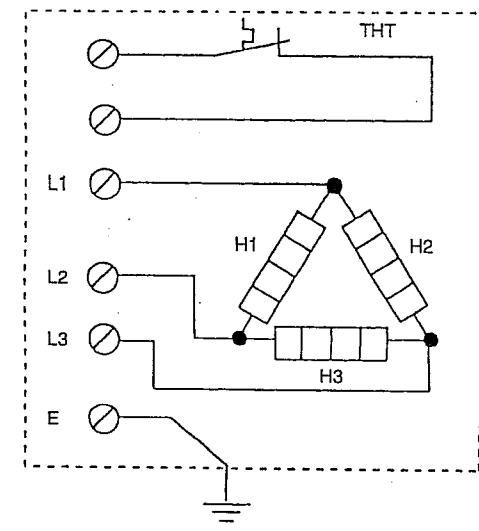


Fig 3
18kW Version only



Redring Industrial Immersion Heater Range

Cat. No.	Short Code	Watts	Immersed Length (ins)
60-391301	RY211	2000	11
60-391302	RY311	3000	11
60-391303	RY330	3000	30
60-391304	RY411	4000	11
60-391305	RY416	4000	16
60-391306	RY616	6000	16
60-391307	RY630	6000	30
60-391308	RY642	6000	42
60-391309	RY724	7500	24
60-391310	RY914	9000	14
60-391311	RY927	9000	27
60-391312	RY936	9000	36
60-391313	RY1224	12000	24
60-391314	RY1236	12000	36
60-391315	RY1836	18000	36

OTHER SIZES AVAILABLE TO SPECIAL ORDER