

Features and Benefits

PTC04 interface board for testing devices:

- MLX90293
- MLX90316
- MLX90324
- MLX90333
- MLX90360
- MLX90364
- MLX90365
- MLX90367

Applications

Experimental tool for Lab and Prototyping
 Production Equipment for Serial Programming

Ordering Information

Part No.	Description
PTC04-DB-90316 Rev3.0	Default Daughter Board (Board + rear panel PTC04)

Accessoires

Part No.	Description
	DLL's for all supported products
	User Inter Faces for supported products

Functional Diagram

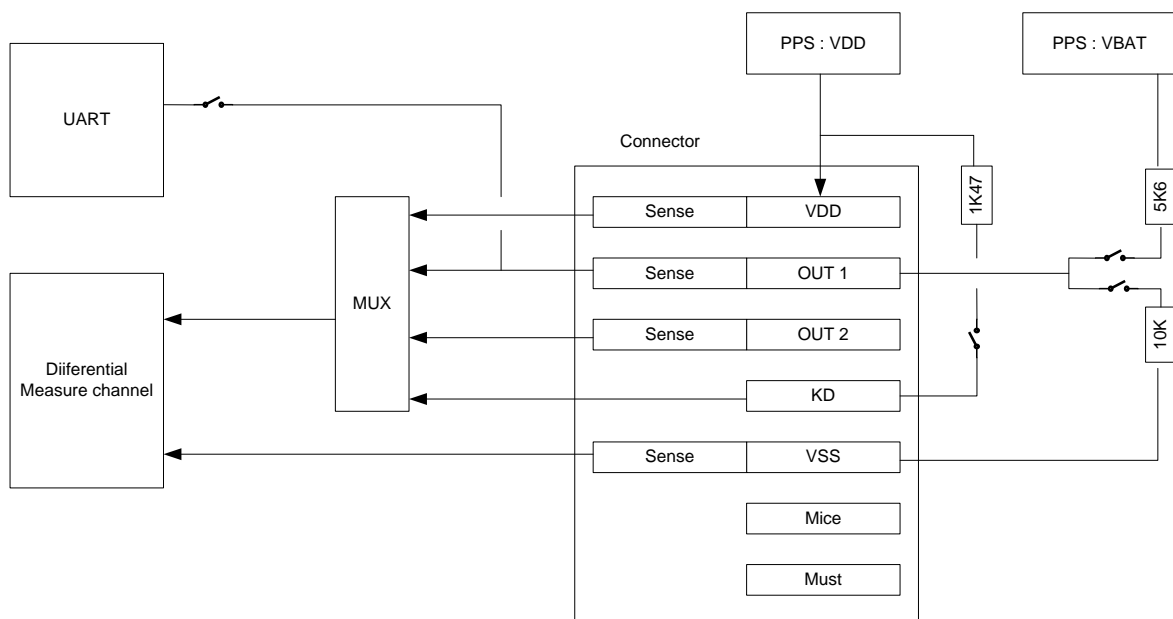


Figure 0-1

TABLE OF CONTENTS

FEATURES AND BENEFITS	1
APPLICATIONS.....	1
ORDERING INFORMATION.....	1
ACCESOIRES.....	1
FUNCTIONAL DIAGRAM.....	1
BOARD DESCRIPTION.....	3
1.1. BOARD LAYOUT.....	3
1.2. BOARD SCHEMATIC	4
1.2.1. Main circuit.....	4
1.2.2. Address Decoder MUX circuit	5
1.3. DAUGHTER BOARD CONNECTORS	6
1.3.1. Digital DB Connector (40 Pins).....	6
1.3.2. Analog DB Connector (48 Pins).....	7
1.4. APPLICATION CONNECTOR.....	7
DISCLAIMER	9

Board description

1.1. Board Layout

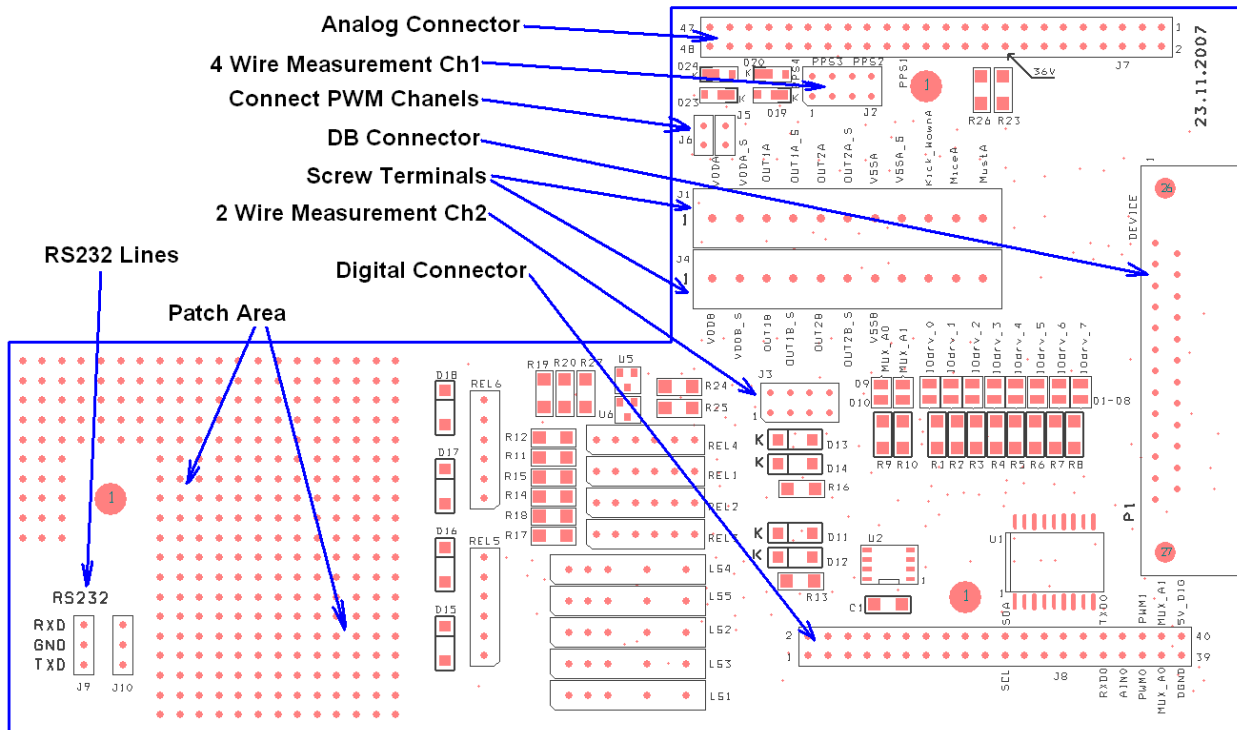
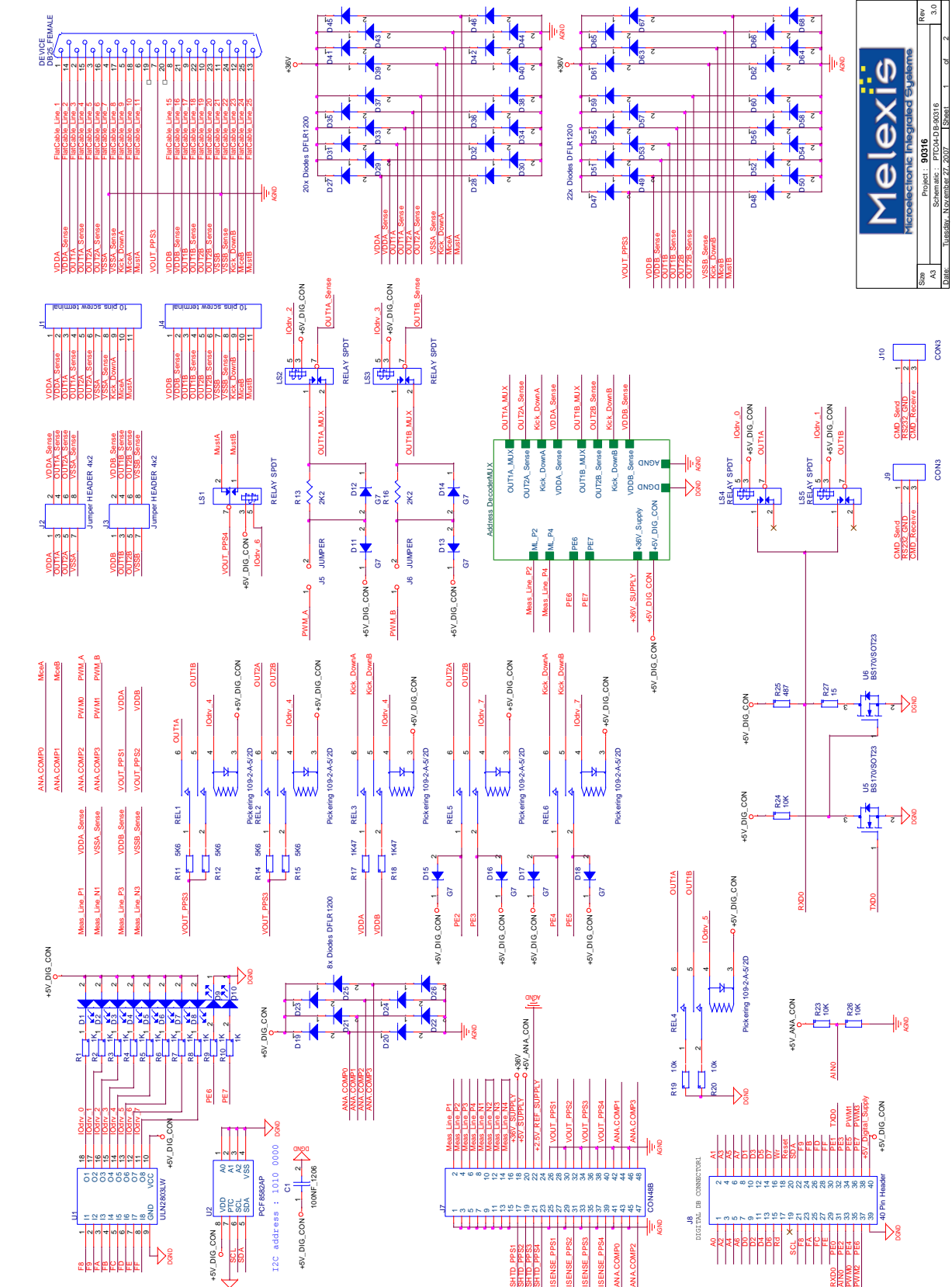


Figure 0-1

- J5, J6: Connect PWM0 and PWM1 channels to OUT1A_Sense and OUT1B_Sense through relays LS2 and LS3. These jumpers are needed when PWM mode of MLX90316 is used.
- J2, J3: Jumpers to connect the measurement sense lines immediately to the force lines. These jumpers are needed when no force and sense is used.
- J1, J4: Screw terminals on witch present all the signals of DB connector.
- U2: This EE memory keeps a few initial variables in mind. It allows for example to detect what DB is connected to the programmer and if the DB is not expired.
- Analog and Digital connector: See below for a detailed description
- DB Connector: Connector to the application. See below for details
- J9: RS232 lines. Used for connecting a scope during debug, measurements, etc.

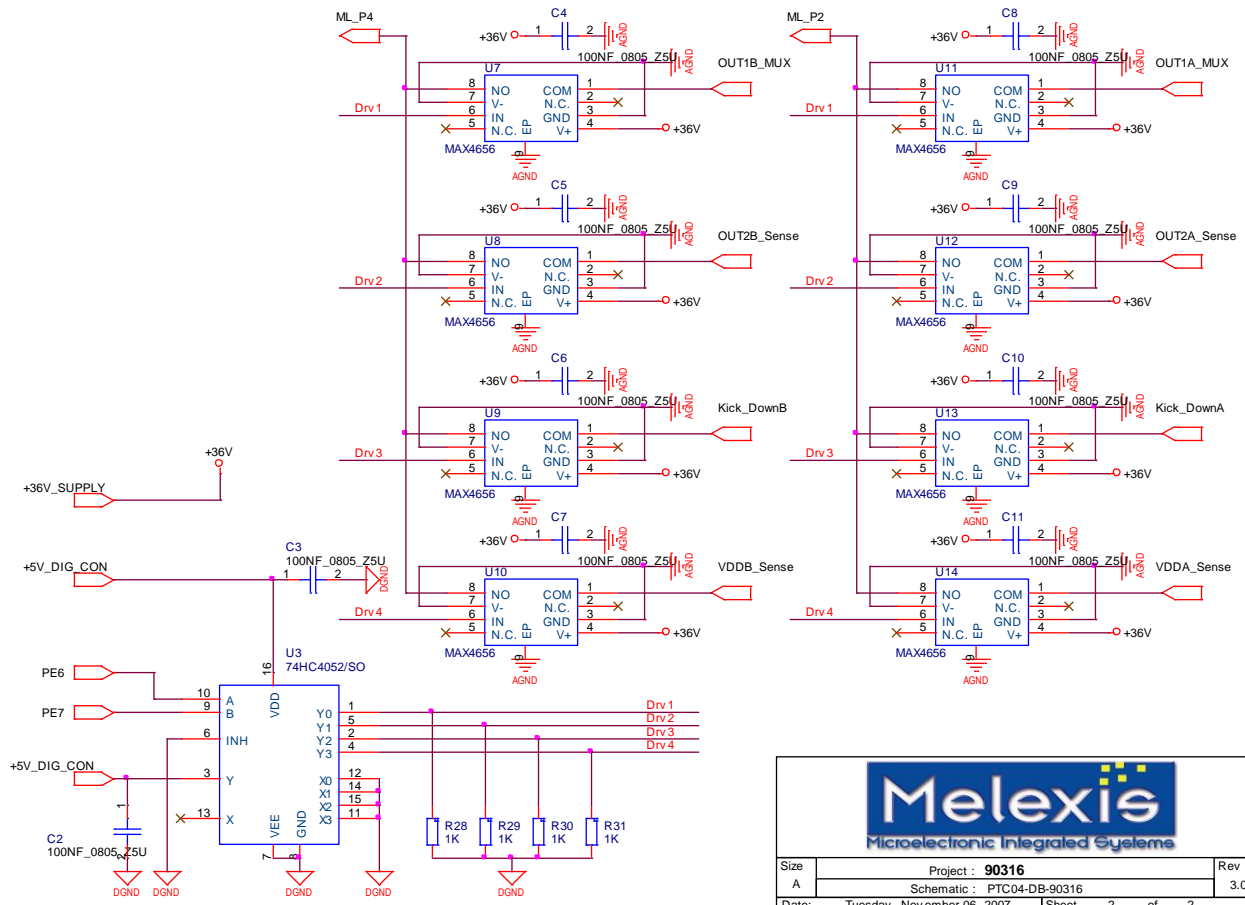

1.2. Board Schematic

1.2.1. Main circuit



Size	AS	Project	90316	Rev	3.0
Date	Tuesday, November 27, 2007	Sheet	1	of	2

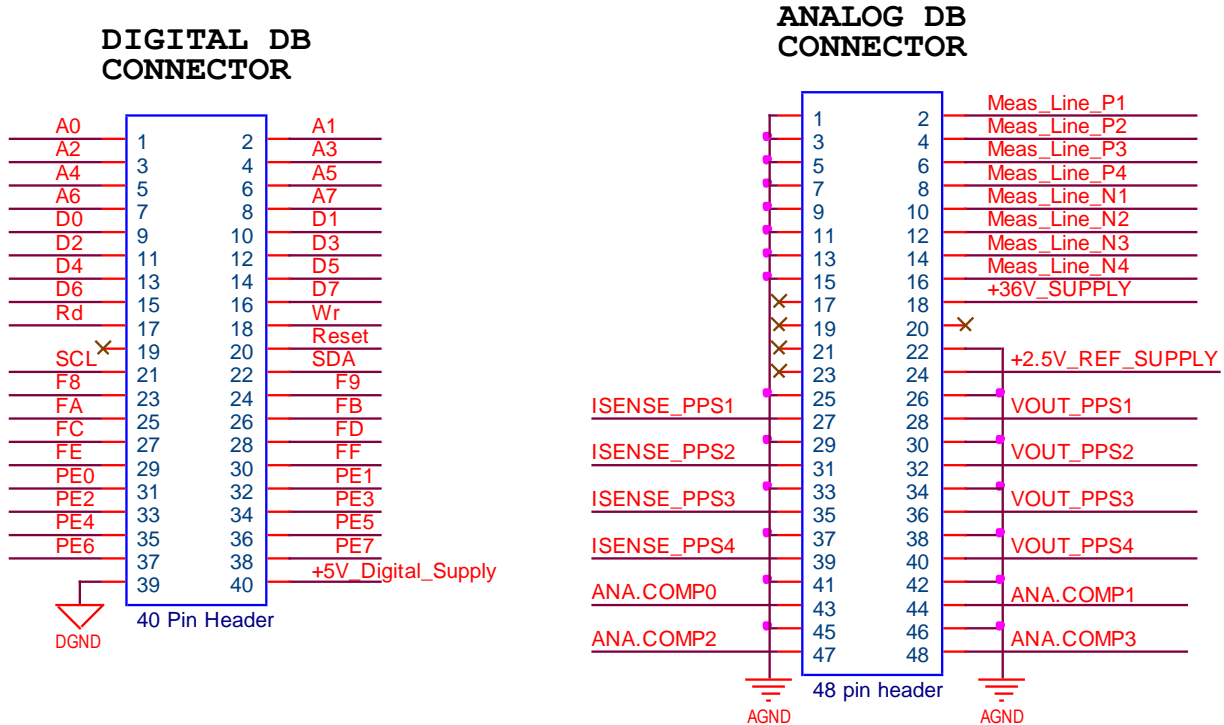
1.2.2. Address Decoder MUX circuit

Size	Project : 90316	Rev
A	Schematic : PTC04-DB-90316	3.0
Date:	Tuesday, November 06, 2007	Sheet 2 of 2

1.3. Daughter board Connectors

The main board has two connectors to the interface with the application. The PTC allows adding a full PCB in between. This daughter board can be mounted on the two connectors. In some exceptional cases, a daughter board contains only a few wires from the Analog connector to the application connector. The pins on of the connectors are described below.



1.3.1. Digital DB Connector (40 Pins)

Mainly, the digital connector is meant to expand the programmer to extra needs. Address lines A0-A7 together with the Map Select Lines F8-FF allows to direct access an area of 2 K. Examples would be adding a simple addressed I/O register by using the selection lines. If more complexity is needed, a full FPGA can be mounted on the DB board

Pins	Names	Description
1 – 8	A0 – A7	Address lines
9 – 16	D0 – D7	Data Lines active during Rd or Wr signals
17	Rd	Read: A negative pulse will indicate a sampling of the data on the Data Bus
18	Wr	Write: A Negative pulse will indicate when data is available on the Data Bus
20	Reset	This signal goes low by powering the PTC or by pressing the reset button. This line can be pulled low by application. Check firmware documentation for resetting by software.
21-22	SCL / SDA	I2c Bus
23-30	F8,F9,...,FF	CS lines when the address areas are accessed
31-38	Port E	Note: These pins are limited to 5 Volt input/output!!!! The full Port E of the Atmega core is mounted to these pins. This allows us to use advanced features like PWM, UARTS, Time Measurements, etc.... By using firmware that supports these, functions, application specific requirements can be fulfilled.
39	DGND	Digital Ground
40	+5V Digital	5 Volt Digital Supply. Maximum current to get out of this supply: 250mA

Note: All the pins are limited to 5 Volt input/output!!!! However, there are Protections, please take precautions in order to avoid damage of the main board.

1.3.2. Analog DB Connector (48 Pins)

Mainly, the analog connector provides all the analog signals and measure possibilities.

Pins	Names	Description
28,32,36	PPS 1-3	Output of the Programmable Supplies
40	PPS 4	Output of the Fast DAC Programmable Power Supply
27,31,35,39	Isense_PP1-4	Outputs (Driver outputs before Rsens) for current evaluations. These outputs could be used to connect to the analog comparators in order to create fast digital signals based on current.
2,4,6,8	ExtMeas1-4Pos	There are 4 differential inputs for making measurements
10,12,14,16	ExtMeas1_4Neg	The negative inputs of ExtMeas1-4Pos
17,19,21,23	Shtd_PPS1-4	Outputs that shows the status of the Drivers. Signals are meant to connect LED's to put the front panel
43,44,47,48	AnaComp0-3	Input (limited to 5V) See *Note. Fast Level comparators in order to remove time consuming measurement
18	+35V_Supply	Supply to extend the daughter board with some extra drivers
24	+2.5V Ref	Output of internal reference
All other	AGND	Analog Ground

Note: All the pins are limited to 35 Volt input/output!!!! However, there are Protections, please take precautions in order to avoid damage of the main board.

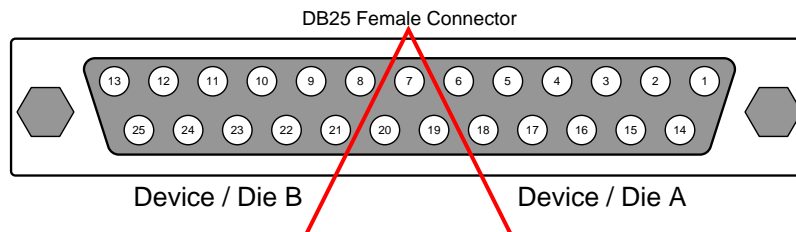
* Note: Some pins are protected and limited to 5 Volt!!!! However, there are Protections, please take precautions in order to avoid damage of the main board.

1.4. Application Connector

The figure and table below shows the connections as provided by the daughterboard PTC04-DB-90316.

The view of the connector is **front view** for the **female** connector of the PTC04-DB-90316 which corresponds to the **solder side** of the **male** connector.

The right side of the connector is used for device / die A, the left side of the connector is used for device / die B.



Additional, there are screw terminals on the Daughterboard that allows you to connect direct to wire.

PTC04			90316 90324		90333 90316 BCS		90364	90293 90360 90365 90367	
D-SUB 25			SO	TSSOP	SO	TSSOP	DMP	SO	TSSOP
Pin	Names	Description	Pin	Pin	Pin	Pin	Pin	Pin	Pin
1	VDDA	Supply Device A (Minimum required single die connection)	1	3	1	3	2	1	3
2	OUT1A	Output 1 Device A (Minimum required single die connection)	5	15	5	15	3	5	15
3	OUT2A	Output 2 Device A			4	14			
4	VSSA	Analog Ground Device A (Minimum required single die connection)	8	2	8	2	4	8	2
5	Kick_DownA	Test Signal Device A							
6	MustA	Test Signal Device A							
7	VOUT_PPS3	Programmable Power Supply 3							
8	VDDB	Supply Device B (Minimum required dual die connection)		11		11			11
9	OUT1B	Output 1 Device B (Minimum required dual die connection)		7		7			6
10	OUT2B	Output 2 Device B				6			
11	VSSB	Analog Ground Device B (Minimum required dual die connection)		10		10			10
12	Kick_DownB	Test Signal Device B							
13	MustB	Test Signal Device B							
14	VDDA_S	Sensing Supply Device A	1	3	1	3	2	1	3
15	OUT1A_S	Sensing Output 1 Device A	5	15	5	15	3	5	15
16	OUT2A_S	Sensing Output 2 Device A			4	14			
17	VSSA_S	Sensing Analog Ground Device A	8	2	8	2	4	8	2
18	MiceA	Test Signal Device A							
19	NC	Not Connected							
20	NC	Not Connected							
21	VDDB_S	Sensing Supply Device B		11		11			11
22	OUT1B_S	Sensing Output 1 Device B		7		7			6
23	OUT2B_S	Sensing Output 2 Device B				6			
24	VSSB_S	Sensing Analog Ground Device B		10		10			10
25	MiceB	Test Signal Device A							

Disclaimer

Devices sold by Melexis are covered by the warranty and patent indemnification provisions appearing in its Term of Sale. Melexis makes no warranty, express, statutory, implied, or by description regarding the information set forth herein or regarding the freedom of the described devices from patent infringement. Melexis reserves the right to change specifications and prices at any time and without notice. Therefore, prior to designing this product into a system, it is necessary to check with Melexis for current information. This product is intended for use in normal commercial applications. Applications requiring extended temperature range, unusual environmental requirements, or high reliability applications, such as military, medical life-support or life-sustaining equipment are specifically not recommended without additional processing by Melexis for each application.

The information furnished by Melexis is believed to be correct and accurate. However, Melexis shall not be liable to recipient or any third party for any damages, including but not limited to personal injury, property damage, loss of profits, loss of use, interrupt of business or indirect, special incidental or consequential damages, of any kind, in connection with or arising out of the furnishing, performance or use of the technical data herein. No obligation or liability to recipient or any third party shall arise or flow out of Melexis' rendering of technical or other services.

© 2014 Melexis NV. All rights reserved.

For the latest version of this document, go to our website at
www.melexis.com

Or for additional information contact Melexis Direct:

Europe, Africa, Asia:
Phone: +32 1367 0495
E-mail: sales_europe@melexis.com

America:
Phone: +1 603 204 2900
E-mail: sales_usa@melexis.com

ISO/TS 16949 and ISO14001 Certified