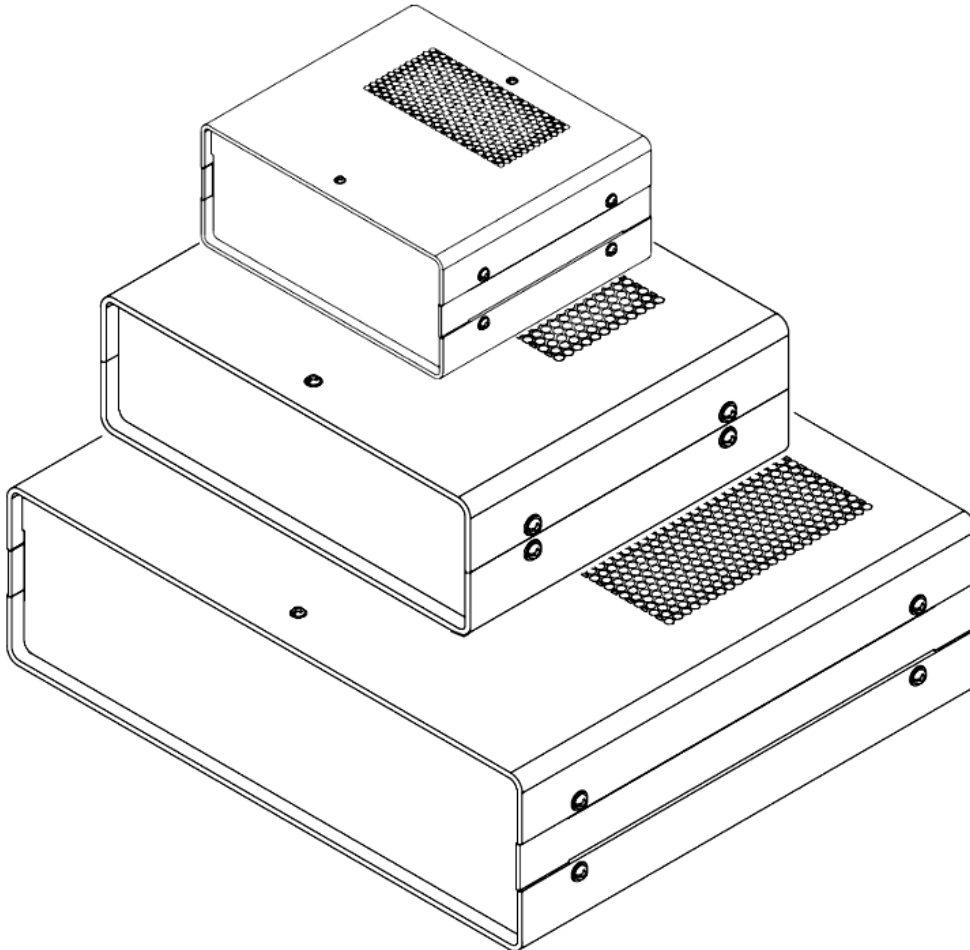


Product Information

SA Series Stand Alone Multi Use Electronic Enclosures

The **SA Series** general purpose electronic enclosure allows the user a wide range of sizes to meet their many requirements.

Designed for the industrial market, these easily modifiable units have found a home on many technicians and hobbyists work benches.



Features :

- Dimensions to IEC 297
- 24 different sizes and configurations
 - Available in :
 - Height : 1.5U to 5U
 - Width : 203, 305 and 432 mm (W1, W2, W3)
 - Depth : 178 and 279 mm (D1, D2)
- Flat packed for convenient shipping and storage
- Quick assembly in approximately 10 minutes, hardware provided
- Long lasting corrosion resistant iron phosphate dipped steel body, Aluminum front and rear panels
- Tough exterior of powder-epoxy paint
- Custom colors and design modification inquiries welcome

Materials/Finish :

High grade cold rolled steel.

Aluminum on Front and Rear panel

Powder coat finish preceded by 5 stage iron phosphate pretreatment.

Conforms to ASTM D610-01 (Creepage test)

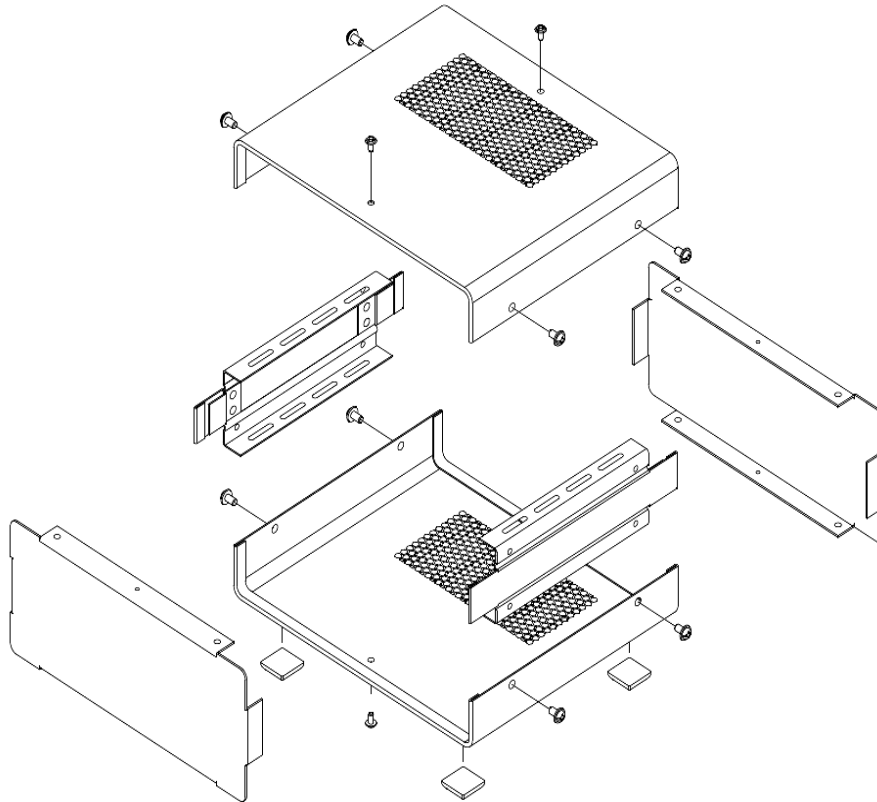
Conforms to ASTM B117 (500 hours salt spray test)

Standard color is low gloss black. Special colors upon request.

SA Series stand alone general purpose electronic enclosures

Overview :

SA series were designed to meet electronic hobbyist for stand alone general purpose electronic enclosure. Front and rear panel were made from aluminum for convenient in the tailor-made panel.



SA Series Part List :

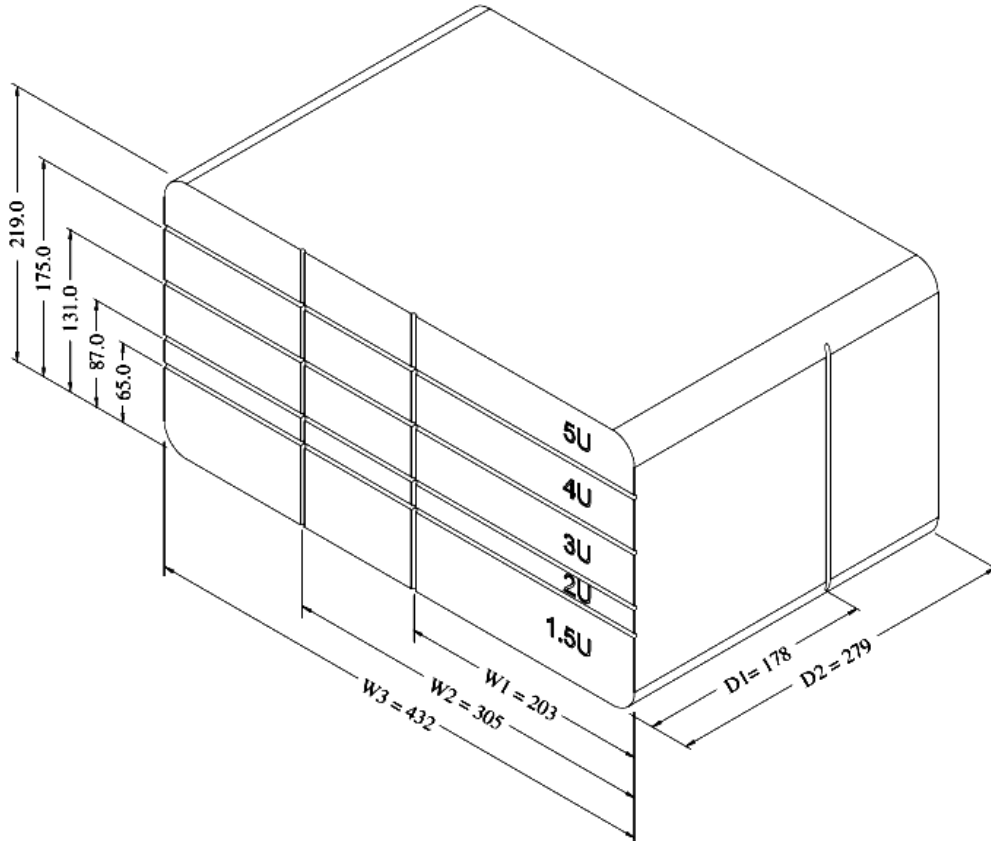
Item	Quantity	Thickness
1. Top Bottom	2 pieces	0.9 mm
2. Side Panel	2 pieces	0.9 mm
3. Front Rear Panel	2 pieces	1.2 mm
4. Umbrella Phillips screw M4x8	8 pieces	
5. Umbrella Phillips screw M3x8	4 pieces	
6. Rubber leg	4 pieces	

Note : Torque 7 in lbs for screw M3
Torque 10 in lbs for screw M4

Available Dimensions :

There are 24 different sizes and configurations which are available in :

- Height : 1.5U to 5U
- Width : 203, 305 and 432 mm (W1, W2, W3)
- Depth : 178 and 279 mm (D1, D2)



Model Code	Dimension (mm)	Model Code	Dimension (mm)
1.5U-D1-W1	65x178x203	3U-D1-W2	131x178x305
1.5U-D1-W2	65x178x305	3U-D1-W3	131x178x432
1.5U-D1-W3	65x178x432	3U-D2-W1	131x279x203
1.5U-D2-W1	65x279x203	3U-D2-W2	131x279x305
1.5U-D2-W2	65x279x305	3U-D2-W3	131x279x432
1.5U-D2-W3	65x279x432	4U-D1-W2	175x178x305
2U-D1-W1	87x178x203	4U-D1-W3	175x178x432
2U-D1-W2	87x178x305	4U-D2-W1	175x279x203
2U-D1-W3	87x178x432	4U-D2-W2	175x279x305
2U-D2-W2	87x279x305	4U-D2-W3	175x279x432
2U-D2-W3	87x279x432	5U-D2-W1	219x279x203
		5U-D2-W2	219x279x305
		5U-D2-W3	219x279x432