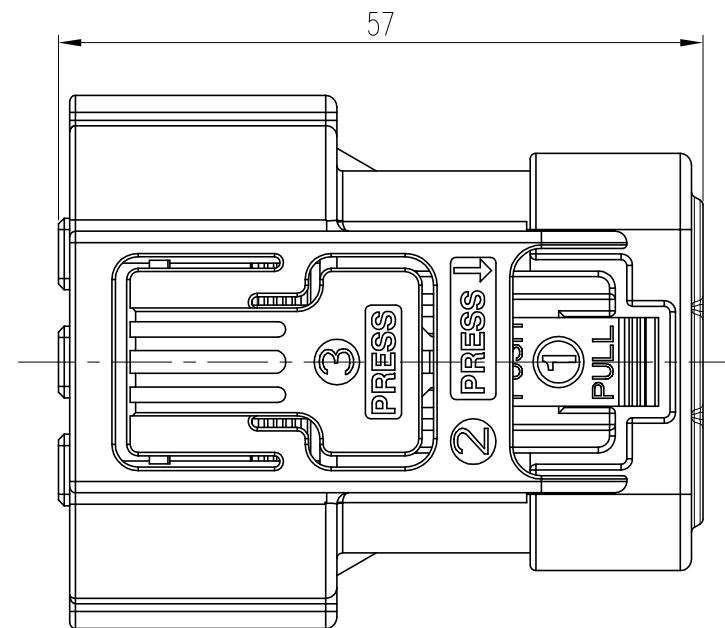
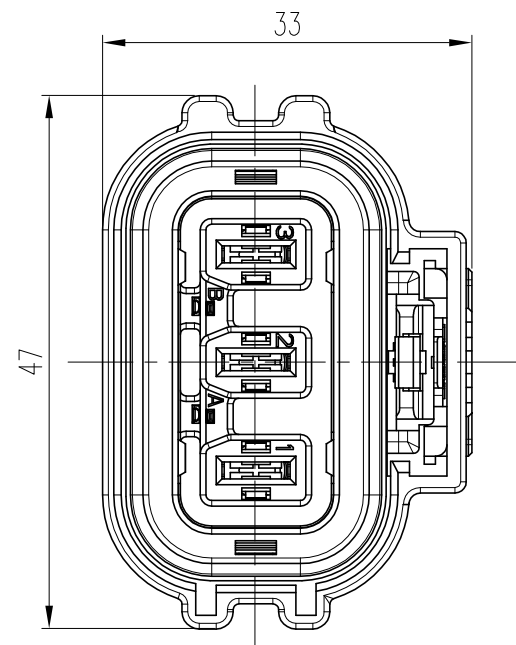
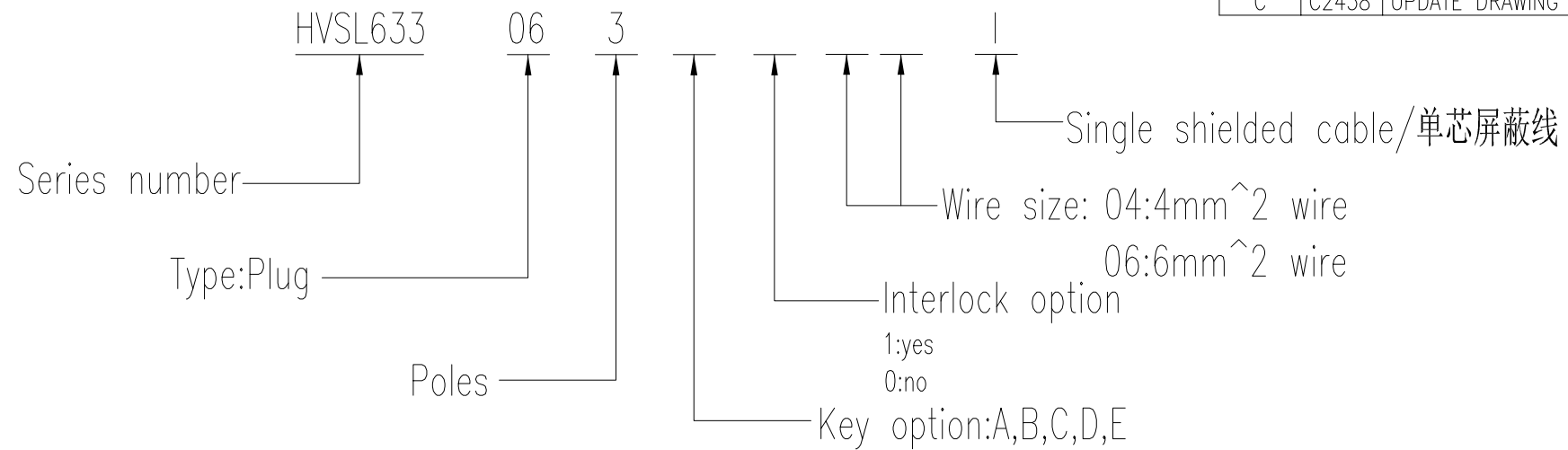


### PART NUMBERING SCHEME

REV	ECN	DESCRIPTION	DATE	MODIFIED
A	C2255	RELEASE		
B	C2309	UPDATE PART NUMBERING SCHEME		
C	C2438	UPDATE DRAWING	Aug-16-17	Rock



\*TECHNICAL PARAMETERS

Material  
 Housing : PA66 UL94-V0  
 Contacts: Copper alloy, Tin plated  
 Shield: Copper alloy, Tin plated  
 Seal: Silicone  
 Ferrule: Copper alloy, Tin plated

Mechanical data  
 Operating Temperature: -40°C +125°C  
 Durability: 50 cycles  
 Contact Type: Crimping  
 IP67, IP2XB

Electrical data  
 Withstand Voltage: 3000V AC r.m.s  
 Rated Current : 32A(4mm<sup>2</sup> cable)  
 40A(6mm<sup>2</sup> cable)  
 Rated Voltage: 800V AC  
 Insulation Resistance: >200M<sup>Ω</sup>  
 Contact Resistance: < 2 m<sup>Ω</sup>  
 Suited to fit 4~6mm<sup>2</sup> cable  
 Shielded

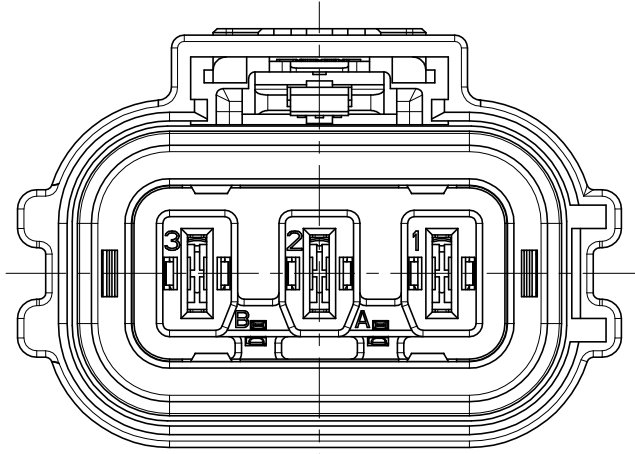
\*NOTES:

- HVSL633063AXXX shown in this sheet
- Recommend OD of wire(线缆护套直径):  
 4mm<sup>2</sup> wire:  $\phi$ 5.10mm- $\phi$ 5.70mm  
 6mm<sup>2</sup> wire:  $\phi$ 6.10mm- $\phi$ 6.70mm
- Contact should be ordered separately, Power contact: C310003623, Use level: 3pcs

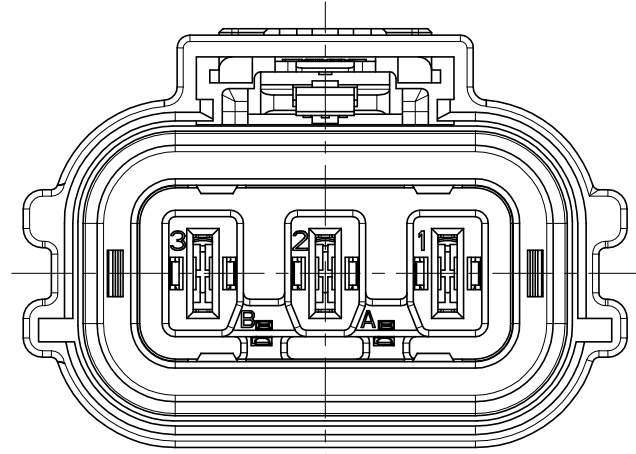
DIMENSIONS ANSI Y14.5M UNITS: MM CAD FILE	TOLERANCES .X ± 0.1 .XX ± 0.05 ANGLES ± 0.5°	PROJECTION 	Amphenol Pcd Shenzhen		TITLE <b>HVSL633 3P PLUG</b>		
			ENGR R.Chen	2016.12.14	SIZE A3	DWG NO. C-HVSL633063XXXXX1	REV C
ORIGINAL	THIS DOCUMENT CONTAINS PROPRIETARY INFORMATION WHICH IS THE CONFIDENTIAL PROPERTY OF AMPHENOL PCD SHENZHEN		CHKD APPD	CODE:	SCALE 3:2	SHEET 1 OF 2	

C-HVSL633063XXXXX1

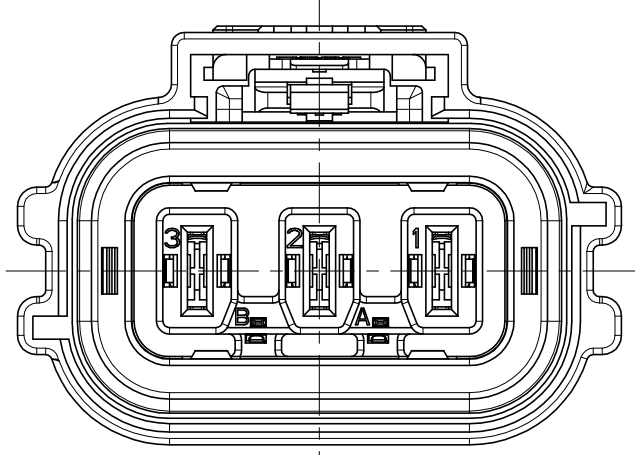
C-HVSL633063XXXXX1



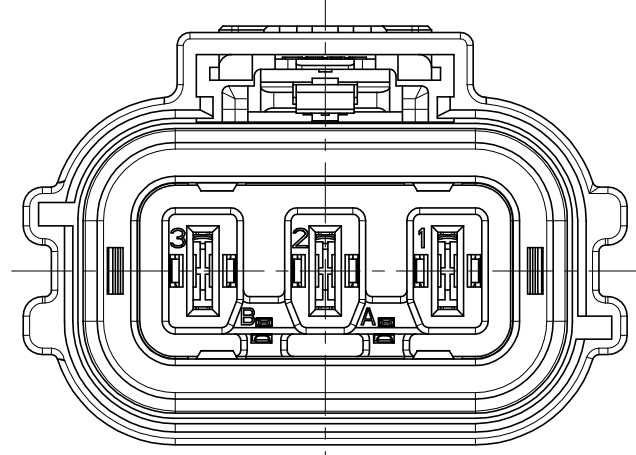
KEY A  
HVSL633063AXXXI



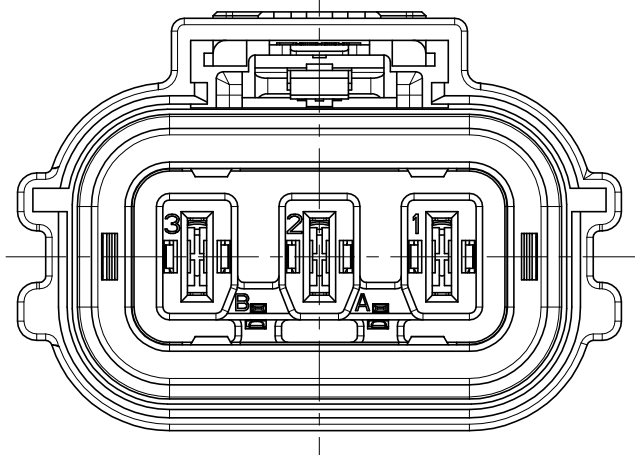
KEY D  
HVSL633063DXXXXI



KEY B  
HVSL633063BXXXXI



KEY E  
HVSL633063EXXXXI



KEY C  
HVSL633063CXXXXI

C-HVSL633063XXXXI

C-HVSL633063XXXXI

SIZE A3	DWG NO. C-HVSL633063XXXXI	REV C
CODE:	SCALE 1:1	SHEET 2 OF 2