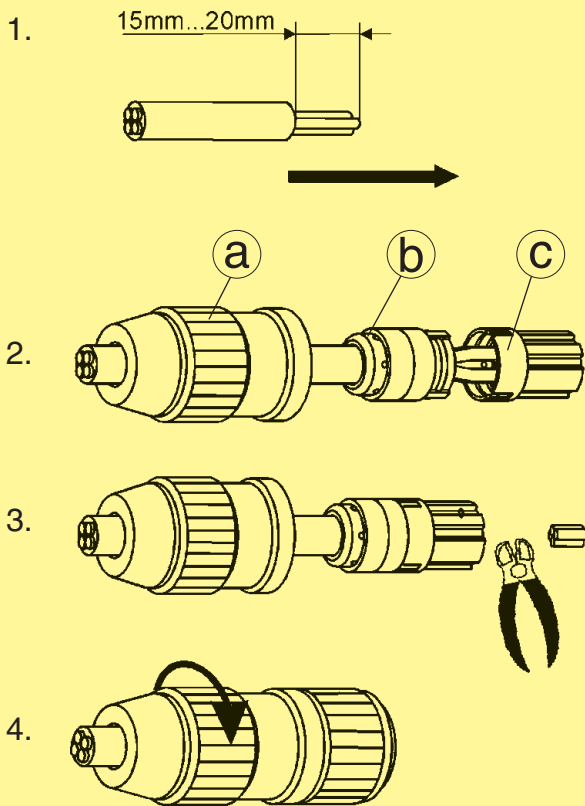


## Assembly manual HARAX®



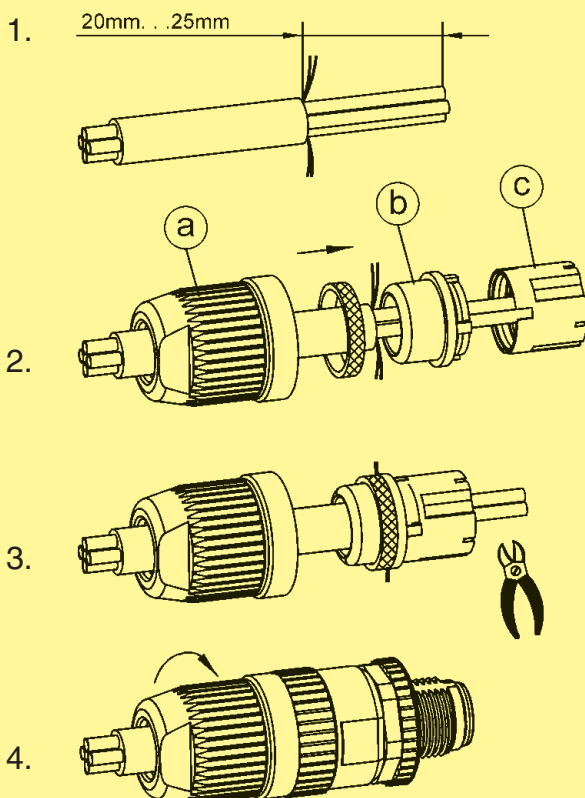
1. strip cable
2. assemble HARAX® elements
3. cut off cable ends
4. screw the connector

- (a) Nut
- (b) Strain relief
- (c) Insert

Screw the nut onto the insert until a stop is noticeable.

Note!  
For reconnection cut off the used cable ends and repeat steps 1 to 4.

## Assembly manual HARAX® shielded



1. strip cable
2. assemble HARAX® elements  
twist screening braid and push it into the sealing slot
3. Slide ring over the sealing cut off cable ends and the screening braid
4. screw the connector

- (a) Nut
- (b) Strain relief
- (c) Insert

Note!  
For reconnection cut off the used cable ends and repeat steps 1 to 4.