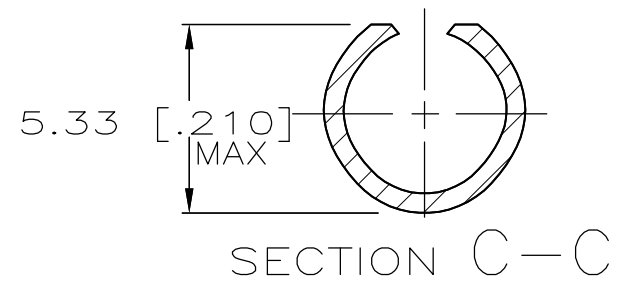
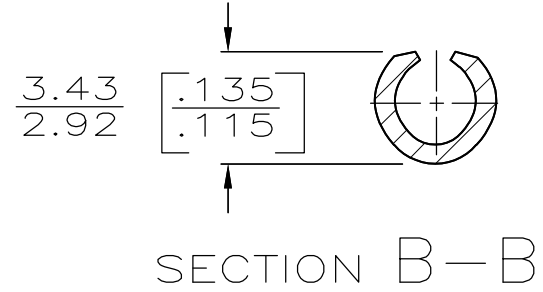
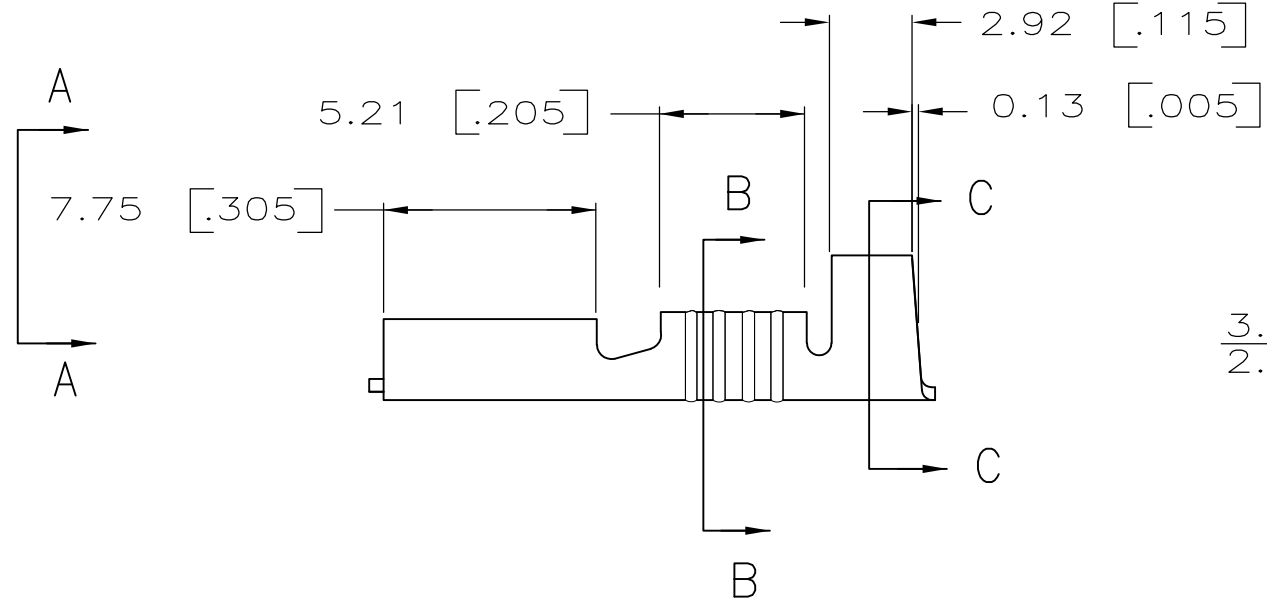
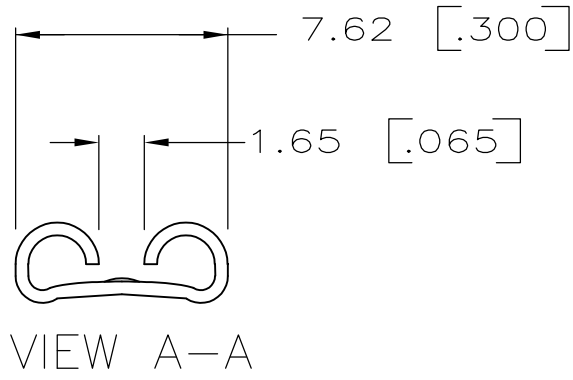
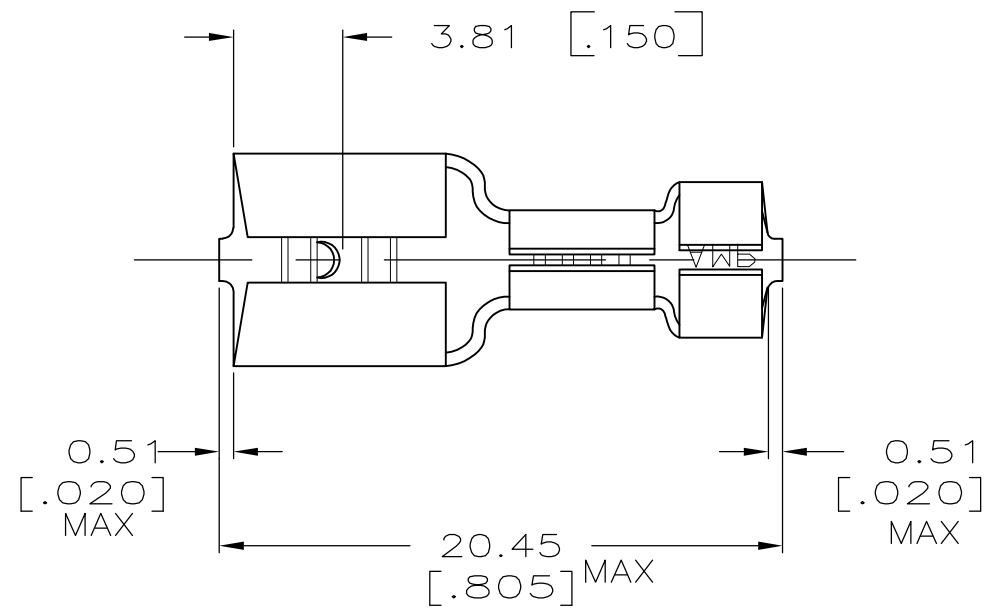


LOC	DIST	REVISIONS					
AF	50	P	LTR	DESCRIPTION	DATE	DWN	APVD
			J2	REV PER ECR-06-024012	14OCT06	HMR	PD
			J3	REVISED PER ECO-09-021826	05JAN10	KK	AEG



- 1 SUPPLIED IN LOOSE PIECE
- 2 FOREIGN PRODUCTION ONLY.
- 3 MATING TAB THK IS 0.81±0.025 [.032±.001].
- 4 WIRE SIZE 0.8-1.3mm2 [18-16] AWG.
- 5 INSULATION RANGE IS 3.05-3.68 [.120-.145] DIA.
- △6 SPECIAL PACKAGE QTY
- △7 OBSOLETE PARTS: OBSOLETE CIS STREAMLINING PER D.RENAUD/D.SINISI

△7 OBSOLETE	-	△6 8-41729-1
	41274-1	△2 41729-2
	41274	41729
	STRIP	PART NO

THIS DRAWING IS A CONTROLLED DOCUMENT.		DWN	JR RUTH	2/11/91	Tyco Electronics Corporation Harrisburg, PA 17105-3608
DIMENSIONS: mm [INCHES]		CHK	MS FEHER	2/11/91	
TOLERANCES UNLESS OTHERWISE SPECIFIED:		APVD	C MEYERS	2/11/91	
0 PLC ± - 1 PLC ± - 2 PLC ± 0.25 [.010] 3 PLC ± - 4 PLC ± - ANGLES ± -		PRODUCT SPEC		NAME	
MATERIAL		WEIGHT		RECEPTACLE, FASTON, 6.35 [.250] SERIES	
0.46 [.018] BRASS		-		SIZE CAGE CODE DRAWING NO RESTRICTED TO	
FINISH		CUSTOMER DRAWING		A3 00779 C-41729	
.000080 MIN TIN		SCALE 4:1		SHEET 1 OF 1 REV J3	