

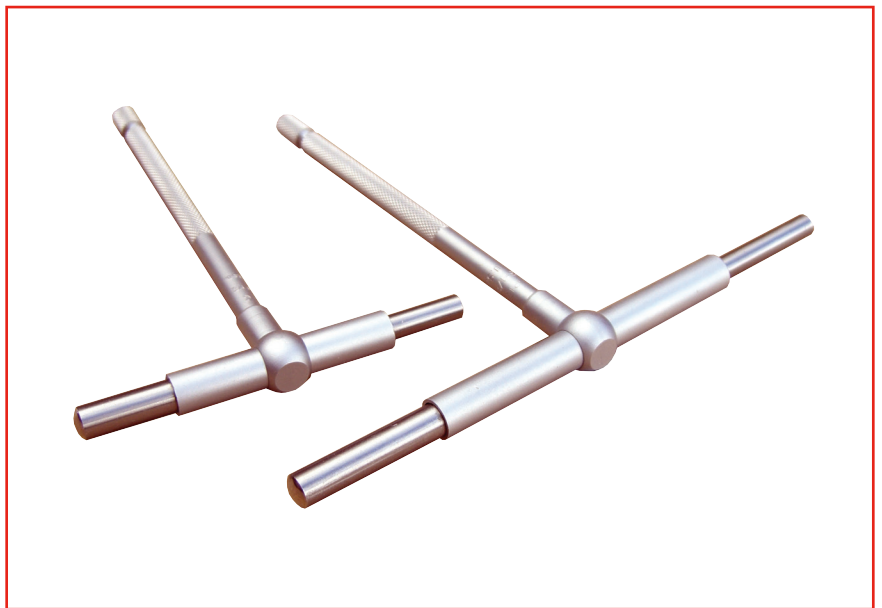


ENGLISH

Datasheet

RS Pro Telescopic Hole Gauge Set

RS Stock No: 264-3586



Specifications:

U.S. Federal Specification: GGG-G-17C/16 Jun 1987

Telescopic hole gauges provide easy and accurate measurement of hole diameters and slot widths

Two plungers under equal and constant spring pressure can be locked between the walls of a slot or across the diameter of a hole

Component size is determined by measuring across the locked plunger ends using a micrometer or caliper

Plunger ends are radius ground and hardened

Knurled plunger locking screw located at bottom of handle

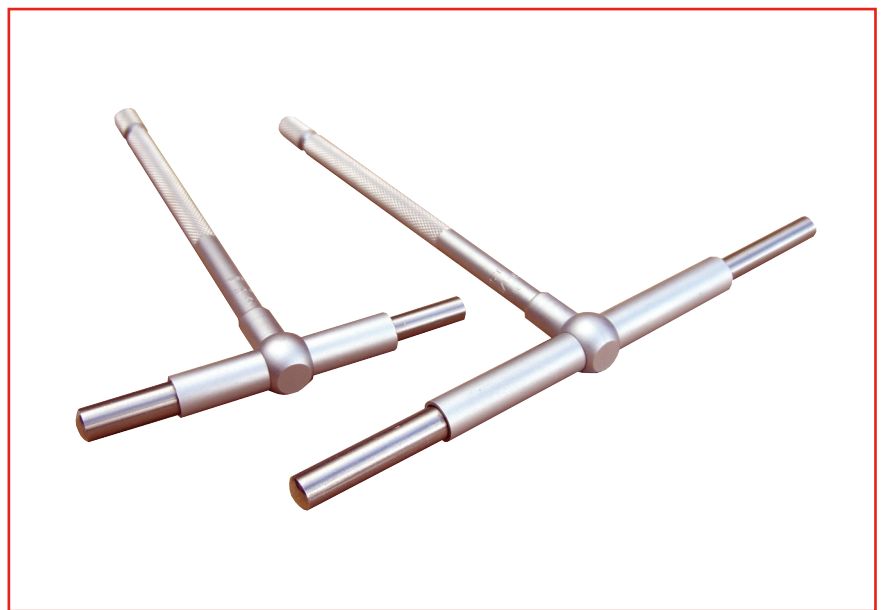
Gauge body and plungers have satin chrome finish

Order Code	Manufacturers Code	Description
264-3586	3S-6	Telescopic Hole Gauge Set

Datasheet

RS Pro Telescopic Hole Gauge Set

RS Stock No: 264-3586



Individual Gauge Specifications:

Individual Gauges in Set	Range Metric	Range Inch	Handle length
No.1	8 – 12.5mm	5/16 – 1/2"	100mm
No.2	12.5 – 19mm	1/2 - 3/4"	105mm
No.3	19 – 32mm	3/4 - 1 1/8"	105mm
No.4	32 – 54mm	1 1/4 - 2 1/8"	125mm
No.5	54 – 90mm	2 1/8 - 3 1/2"	125mm
No.6	90 – 150mm	3 1/2 - 6"	125mm