



Brand of NTN Group

Technical data

SESF206N

Bearing units

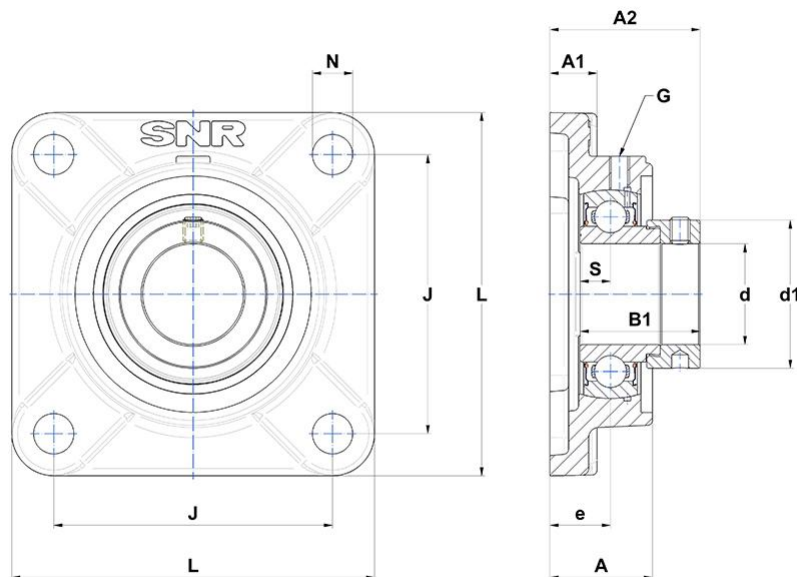


Stainless steel cast housing, stainless steel insert ball bearing with eccentric locking collar, single lip seal, food grease

KIT CONTENT

SES206, SF206N

VISUAL (S)



PRODUCT DEFINITION

Brand	SNR
A - Housing height	30,5 mm
A1 - Housing foot height / flange height	14 mm
A2 - Total height from mounting surface	45,7 mm
B - Width of Inner Ring	23,8 mm



NTN Europe

1 rue des Usines · BP 2017 · 74010 Annecy Cedex · France · Tel. +33 (0)4 50 65 30 00
S.A. au capital de 322 639 919 € · RCS ANNECY B 325 821 072 · Id. Fiscale : FR 48 325 821 072
SIRET 325 821 072 00015 · Code APE 2815 Z · Code NACE 28.15

PRODUCT DEFINITION

B1 - Overall width Inner Ring	35,7 mm
d - Shaft diameter	30 mm
d1 - Outer dia of eccent. Lock. collar / nut of adapter sleeve	44,5 mm
e - Distance mounting surface to bearing center	18 mm
G - Grease fitting	M6x1
J - Mounting holes distance	83 mm
L - Housing width / diameter	108 mm
N - Mounting hole dimension	12 mm
S - Distance front side/bearing centre	8 mm

PRODUCT PERFORMANCE

C - Dynamic load rating	19400000 mN
C0 - Static load rating	11200000 mN
Operating temperature min.	253,15 °K
Operating temperature max.	373,15 °K

OTHER FEATURES

Mass	1,33 kg
Recommended tightening torque for set screw	8.3 N-m

