



Brand of NTN Group

Technical data

MUCPPL208-24

Bearing units

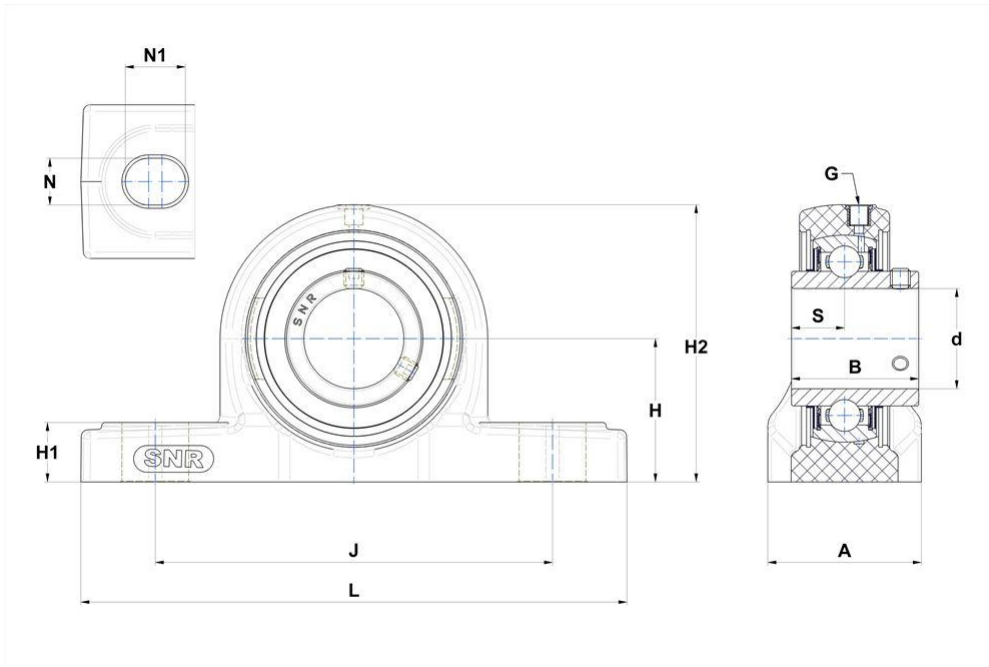


Thermoplastic housing, stainless steel insert ball bearing with socket set screws, seal with slinger, food grease

KIT CONTENT

MUC208-24FD, PPL208

VISUAL (S)



PRODUCT DEFINITION

Brand	SNR
A - Housing width	54 mm
A1 - Housing top width	36 mm
B - Width of Inner Ring	49,2 mm
d - Shaft diameter	38,1 mm



NTN Europe

1 rue des Usines · BP 2017 · 74010 Annecy Cedex · France · Tel. +33 (0)4 50 65 30 00
S.A. au capital de 322 639 919 € · RCS ANNECY B 325 821 072 · Id. Fiscale : FR 48 325 821 072
SIRET 325 821 072 00015 · Code APE 2815 Z · Code NACE 28.15

PRODUCT DEFINITION

G - Grease fitting	1/4-28 UNF
H - Distance mounting base to centerline spheric. seating diam.	49,2 mm
H1 - Housing foot height	19,5 mm
H2 - Housing height	98 mm
J - Mounting holes distance	137 mm
L - Housing length	184 mm
N - Mounting hole dimension	14 mm
N1 - Mounting hole length	18 mm
S - Distance front side/bearing centre	19 mm

PRODUCT PERFORMANCE

C - Dynamic load rating	24900000 mN
C0 - Static load rating	14300000 mN
Operating temperature min.	253,15 °K
Operating temperature max.	373,15 °K

OTHER FEATURES

Mass	0,951 kg
Recommended tightening torque for set screw	8.3 N-m

