



ENGLISH

Datasheet

Modular DIN Rail Interface Supports

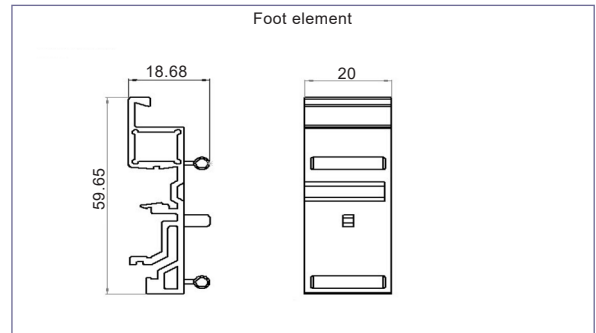
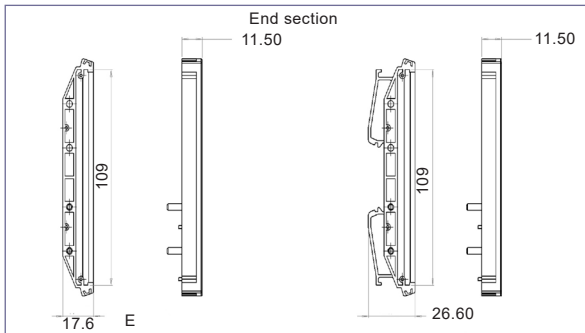
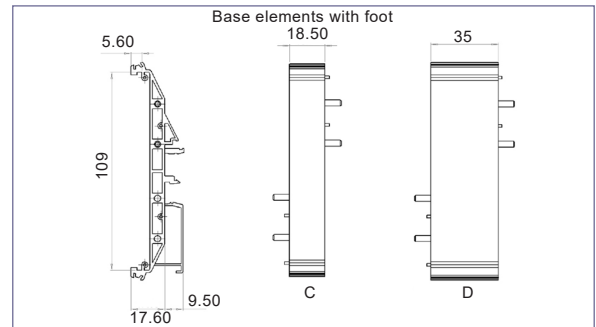
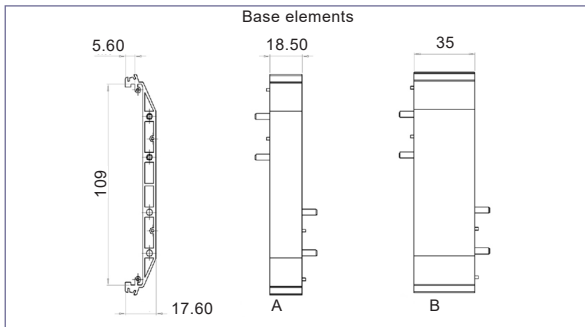


PART NUMBER	DESCRIPTION	LENGTH
1947600	107mm Base Element	18.5mm
1947601	107mm Base Element	35mm
1947602	107mm Base Element With Foot	18.5mm
1947603	107mm Base Element With Foot	35mm
1947604	107mm Wall Mounting Plates, Flush	
1947605	107mm Wall Mounting Plates, Raised	
1947606	107mm End Section	11.5mm
1947607	107mm End Section With Foot	11.5mm
1947608	72mm End Section 11.25 Length	11.25mm
1947609	72mm End Section	22.5mm
1947610	72mm End Section With Foot	11.25mm
1947611	72mm End Section With Foot	22.5mm

Features and benefits:

- Suitable for 72mm or 107mm width PCB's
- Modular construction for easy Assembly
- Snap fit DIN Rail mounting fixtures
- Moulded in green UL94-V0 flame retardant PA
- Wall mounting kit option
- Terminal blocks available in same colour
- Integral marker facility
- Registered design No: 2106418®
- Also available in different colours
- End section foot for top hat DIN Rail

107mm supports



72mm supports

