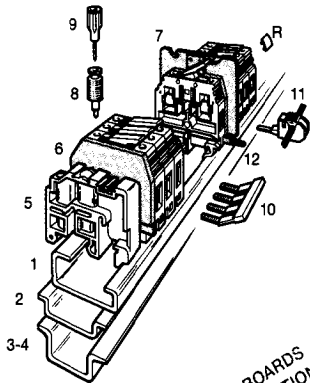


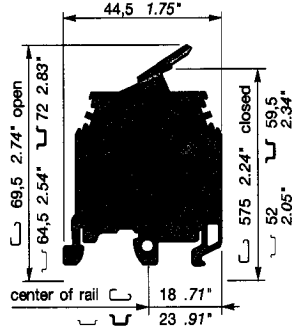
Heavy duty switch terminal blocks with long blades and removable plug



PREASSEMBLED TERMINAL BOARDS
AVAILABLE ON YOUR SPECIFICATION

M 4/6.SNB

Spacing 6 mm +0.05 .238"



6 mm block - Switch connection by long blade.

Type	P/N
Grey body, long grey blade	
M 4/6.SNB	115 686.13
Orange body, long orange blade	
M 4/6.SNB	105 053.22
Beige body, long beige blade	
M 4/6.SNB.V0	195 686.14

M 6/8.SNB

Spacing 8 mm +0.05 .315"

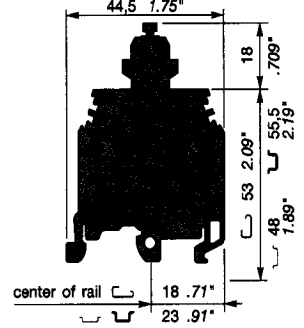


8 mm block - Switch connection by long blade.

Type	P/N
Grey body, long grey blade	
M 6/8.SNB	115 688.25
Orange body, long orange blade	
M 6/8.SNB	105 055.24
Grey body, double pole with grey blade	
M 6/8.SNB.V0	195 688.26

M 4/6.SNBTA

Spacing 6 mm +0.05 .238"



6 mm block - equipped with two test sockets DIA. 2.3 mm/.090". Switch connection by removable plug.

Type	P/N
Grey body	
M 4/6.SNBTA	115 496.05

Characteristics

Wire size (See generalities)	Solid wire	DIN-VDE	UL	CSA	NFC-UTE	DIN-VDE	UL	CSA	NFC-UTE	DIN-VDE	UL	CSA	NFC-UTE
		0-4 mm ²	22-12 AWG	20-12 AWG	0-4 mm ²	0-10 mm ²	22-10 AWG	20-12 AWG	0-10 mm ²	0.5-4 mm ²			
	Stranded wire	0-4 mm ²			0-4 mm ²	0-6 mm ²			0-6 mm ²	0.5-4 mm ²			0.5-4 mm ²

Rated voltage	V	~ AC				= DC							
		380 Gr.C	300	300	400 Cat.C	380 Gr.C	300	300	400 Cat.C	250 Gr.C			400 Cat.C
		450 Gr.C			250 Cat.C	450 Gr.C			250 Cat.C	300 Gr.C			250 Cat.C

Rated current	A	10	10	10	51	46	20	10	15	10			10
---------------	---	----	----	----	----	----	----	----	----	----	--	--	----

Rated wire size	4 mm ²	12 AWG	12 AWG	2.5 mm ²	6 mm ²	10 AWG	12 AWG	6 mm ²	4 mm ²				2.5 mm ²
-----------------	-------------------	--------	--------	---------------------	-------------------	--------	--------	-------------------	-------------------	--	--	--	---------------------

Other characteristics

For compression clamp connection	Wire stripping length	Recommended screwdriver	Recommended torque	Protection	Wire stripping length	Recommended screwdriver	Recommended torque	Protection	Wire stripping length	Recommended screwdriver	Recommended torque	Protection
	9.5 mm .37"	4 mm .16"	0.5-0.8 Nm 4.4-7.1 lb.in	IP 20 NEMA 1	12 mm .47"	4 mm .16"	0.8-1 Nm 7.1-8.9 lb.in	IP 20 NEMA 1	9.5 mm .37"	4 mm .16"	0.5-0.8 Nm 4.4-7.1 lb.in	IP 20 NEMA 1

Approvals (Contact Entelec)

UL	CSA	NFC-UTE	UL	CSA	NFC-UTE	UL	CSA	NFC-UTE

Accessories

	Type	P/N	Type	P/N	Type	P/N
1 Rail 32 x 15	PR1 Z2	163 050.04	PR1 Z2	163 050.04	PR1 Z2	163 050.04
2 Rail 35 x 7.5 x 1	PR30	173 220.05	PR30	173 220.05	PR30	173 220.05
3 Rail 35 x 15 x 2.3	PR4	168 500.12	PR4	168 500.12	PR4	168 500.12
4 Rail 35 x 15 x 1.5	PR5	101 598.26	PR5	101 598.26	PR5	101 598.26
5 End stop (all rails)	BAM	th. 9.1 mm 103 002.26	BAM	th. 9.1 mm 103 002.26	BAM	th. 9.1 mm 103 002.26
6 End section	FEM62	th. 3 mm 114 994.07	FEM62	th. 3 mm 113 373.26	FEM62	th. 3 mm 114 994.07
	FEM62	th. 3 mm 103 612.25	FEM8	th. 3 mm 103 230.02	FEM62	th. 3 mm 103 612.25
	SCFM6	th. 3 mm 114 825.05	SCFM6	th. 3 mm 114 825.05	SCFM6	th. 3 mm 114 825.05
	SCFEX1	on PR1 103 619.04	SCFEX1	on PR1 103 619.04	SCFEX1	on PR1 103 619.04
	SCFEX3	on PR3, 4, 5 103 620.01	SCFEX3	on PR3, 4, 5 103 620.01	SCFEX3	on PR3, 4, 5 103 620.01
8 Test device	DCJ	yellow 173 059.03	DCO	orange 173 060.00	DCJ	yellow 173 059.03
9 Test plug	FC2	007 865.26	FC2	007 865.26	FC2	007 865.26
10 Comb type jumper bar	PC61	10 poles 163 311.22	PC8	10 poles 163 313.24	PC61	10 poles 163 311.22
11 IDC jumper	AD2,5	114 205.20	AD2,5	114 205.20	AD2,5	114 205.20
12 Shield connector	CBM	(see access.)			CBM	(see access.)
Removable plug					6E (delivered with block)	117 280.22

R See markers and other accessories Marking method

①

① ⑦

①

