

Magnifique II

Illuminated magnifier for people with impaired vision

LUXO



Magnifique is the ideal tool for people with impaired vision. A very thin, translucent polycarbonate lens frame ensures that eye contact with the object viewed is not lost in transition when switching from magnification to normal viewing and back again.

Comfortable viewing

Magnifique has a large rectangular lens, 175 x 108 mm, which permits comfortable viewing with both eyes. The carefully designed optics projects a high level of light onto the object viewed through the lens. The built in electronic ballast further improves viewing comfort. It offers instant start and no flickering or stroboscopic effects.

Choice of lenses

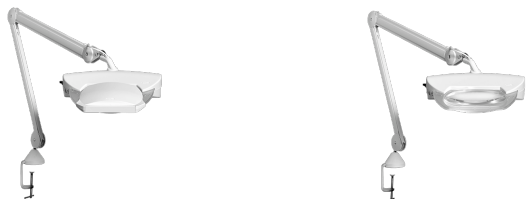
Magnifique comes with a choice of 4 main lenses, 3, 4 and 6 diopter acrylic lenses as well as a 3.5 diopter glass lens for maximum scratch resistance.

The lens has a unique snap-on/snap off feature. It may easily be changed to fit any use. The power switch has been designed to give good tactile feedback, making it easy to find and operate. The lamp is easy to change and available through regular commercial channels, an important detail for end users who keep it at home.

Colour: White.

Standard version with 3 diopter polycarbonate lens and table clamp.

Magnifique II



TECHNICAL DESCRIPTION

LIGHT SOURCE

Supplied with 1 x TC-SEL 11 W.

BALLAST

Electronic ballast (HF).

BODY MATERIAL & COLOUR

Steel arm with plastic covers. Plastic shade. Colour: white.

MOUNTING

Standard with table clamp (AH clamp). Other table clamps, integrated table mounts and trolley are available on request.

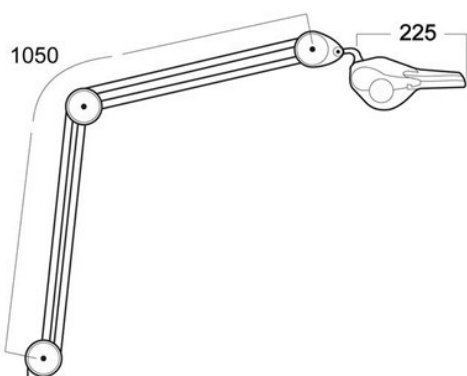
OPTICS

Standard with 3 D, 4 D or 6 D polycarbonate lens. Lens dimensions are 107 x 108 mm. A 3,5 D glass lens is available on request.

ARM TECHNOLOGY & MOVEMENT

Parallel, three-pivot arm. Arm length is 105 cm.

MEASUREMENT DRAWINGS



Magnifique II

Magnifique II

GALLERY



Magnifique II



Magnifique II



Magnifique II