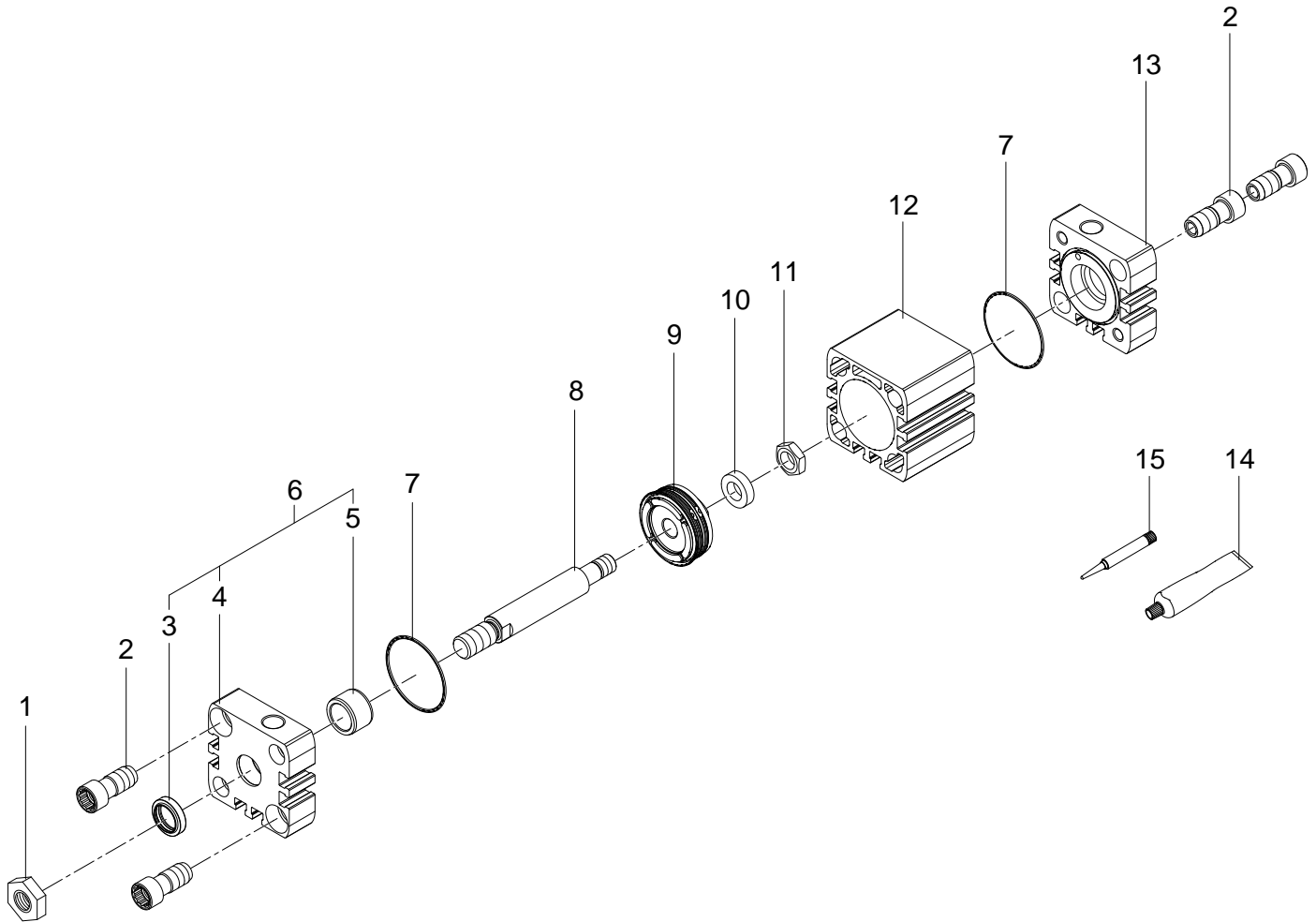


536268 ADN-32-5-A-P-A Compact cylinder - Series: All



536268 ADN-32-5-A-P-A Compact cylinder - Series: All

Pos.	Part no.	Type	Note	Qty.	Unit
A	673623	ADN-32-P-A Set of wearing parts	Spare parts: 3, 7, 9, 14, 15 ▶ Replacing the wearing parts	1	PC
1	211437	DIN 439-B-M10X1,25-04 Hex nut		2	PC
2	658856	ADN-32/40 flange screw	Tightening torque 27 Nm / 19.9 lbf ft Use locking compound. See position 15	4	PC
3	359749	WIFC1-12X16,5X4-TPE-U Wiper seal	Grease using during assembly. See position 14	1	PC
4		ADN- 32 Bearing cap	Not available separately, see position 6	2	PC
5		ADN-32/40 Bearing	Not available separately, see position 6	2	PC
6	1437916	ADN-32 Bearing cap module		1	PC
7		B-31,8X1-N-NBR75 O-ring ISO3601	Not available separately, see position A Grease using during assembly. See position 14	2	PC
8	683595	ADN-32- - Piston rod	When ordering please specify the configuration (see type plate)	1	PC
9		BA-K10D-032-A-WRB Complete piston	Not available separately, see position A	1	PC
10	339835	8,4 X 15 X 4 Ring		1	PC
11	200602	DIN 439-B-M8-04 Hex nut	Tightening torque 9.2 Nm / 6.8 lbf ft Use locking compound Loctite 270	1	PC
12		ADN-32-X- Cylinder barrel	Not available	1	PC
13	1302512	ADN-32 End cap		1	PC
14	684474	LUB-KC1 SILIKONFREI 20ML Lubricating grease		1	PC
15	8181256	CYBERBOND TM44 TB1ML Adhesive bonding agent		1	PC