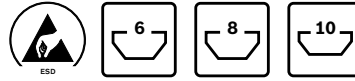
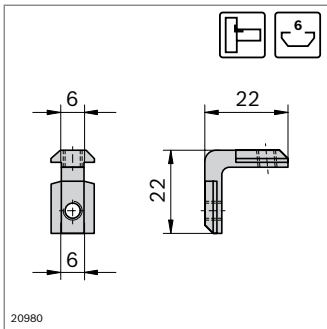


Inner bracket R



- ▶ For elegant, easy-to-assemble profile connections
- ▶ Especially suitable for constructing frames for doors, protective grilles, or partition walls
- ▶ Profile finishing: not required

Technical data (p. 19-8)

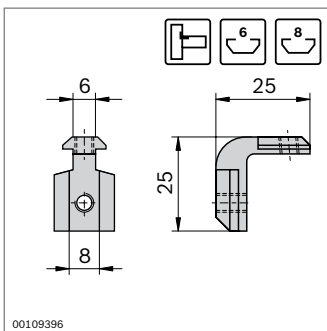


Slot	F_{max}	M_{max}
6 / 6	600 N	10 Nm

FS1
DIN 913 M5x5

Inner bracket R	Slot	ESD	No.	FS
	6 / 6	⚡	10	3 842 535 575 2xFS1

Material: cast steel; galvanized
Fastening material: steel; galvanized
Scope of delivery: incl. fastening material (FS)



Slot	F_{max}	M_{max}
6 / 8	600 N	10 Nm

FS1
DIN 913 M5x5

Inner bracket R	Slot	ESD	No.	FS
	6 / 8	⚡	10	3 842 535 573 2xFS1

Material: cast steel; galvanized
Fastening material: steel; galvanized
Scope of delivery: incl. fastening material (FS)