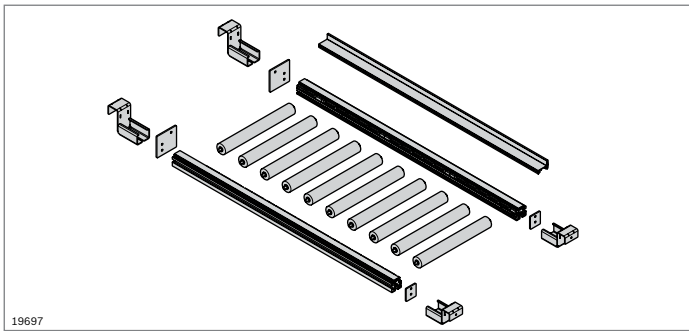


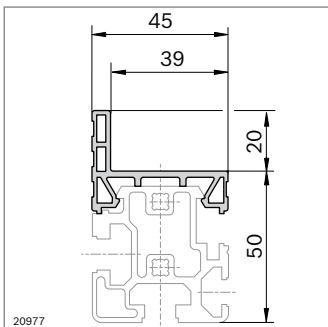
EcoFlow conveyor track

- ▶ Based on EcoFlow section profile
- ▶ For manual slide sections with rollers
- ▶ Clip-in guide profiles with lateral guide and clip-in conveyor rollers



MV45x45

$A = 6,2 \text{ cm}^2$
 $I_x = 11,8 \text{ cm}^4$
 $I_y = 10,5 \text{ cm}^4$
 $W_x = 5,3 \text{ cm}^3$
 $W_y = 4,7 \text{ cm}^3$
 $m = 1,7 \text{ kg/m}$

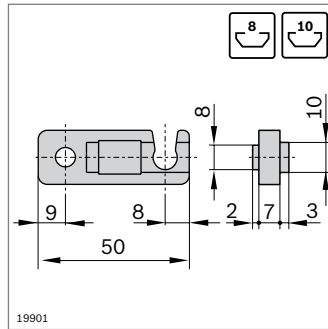
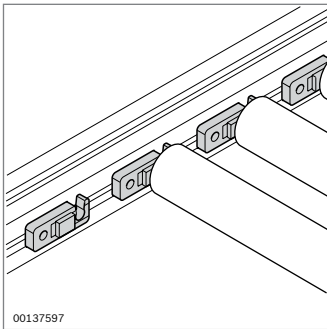
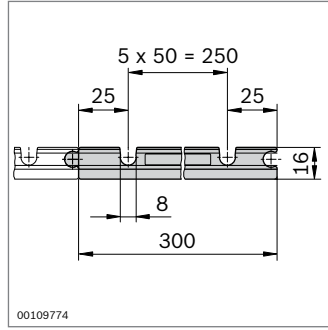
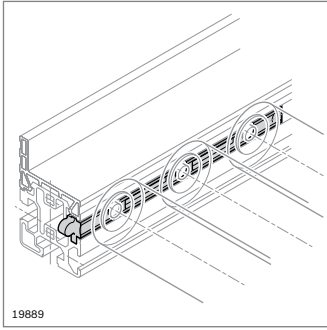


Section profile MV45x45		L (mm)	No.
1 pcs		30 ... 6070	3 842 993 029 / L
20 pcs		6070	3 842 537 321

Material: aluminum, anodized

Guide profile MV45		L (mm)	ESD		No.
30 ... 3000		3000	1		3 842 993 511 / L
3000		3000	10		3 842 525 443
30 ... 3000		3000	1		3 842 993 512 / L
3000		3000	10		3 842 526 034

Material: PVC



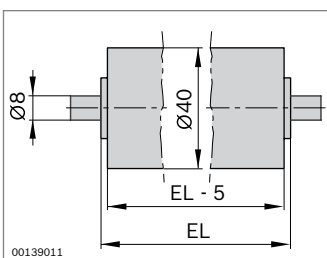
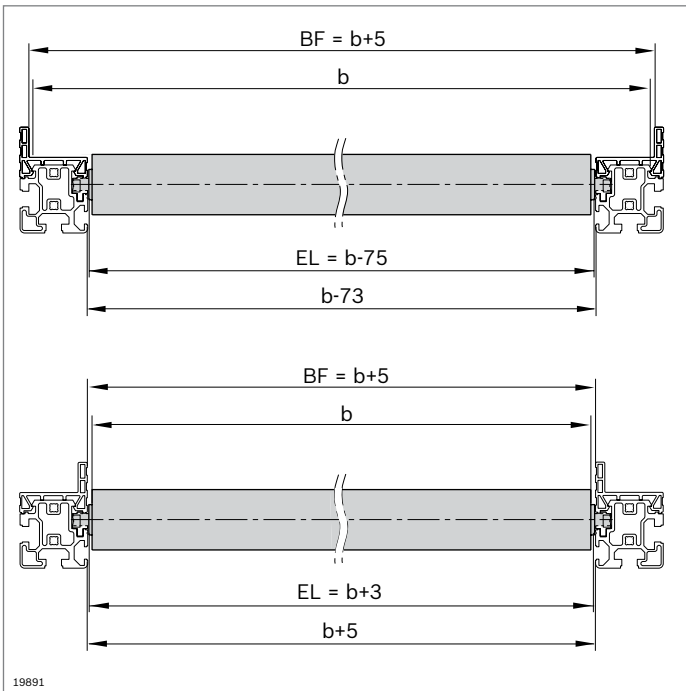
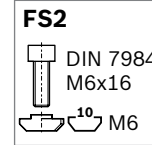
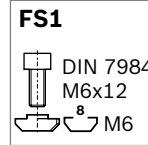
EcoFlow roller carrier	ESD	No.
	10	3 842 535 683

Material: ABS; black

Roller mount	Slot	No.	FS
	8	10	3 842 535 667 FS1
	10	10	3 842 535 668 FS2

Material: Roller mount: PA6, black
Fastening material: steel; galvanized

Scope of delivery: incl. fastening material (FS)



EcoFlow roller	F_{max} (N)	EL (mm)	ESD	No.
Plastic, gray	150	105 ... 605		3 842 994 989 / L
		225		3 842 525 740
		325		3 842 525 741
		425		3 842 525 742
		525		3 842 537 164
steel; galvanized	500	105 ... 1005		3 842 994 988 / L
		225		3 842 525 737
		325		3 842 525 738
		425		3 842 525 739
		525		3 842 537 163
Stainless steel	150	105 ... 1005		3 842 995 008 / L