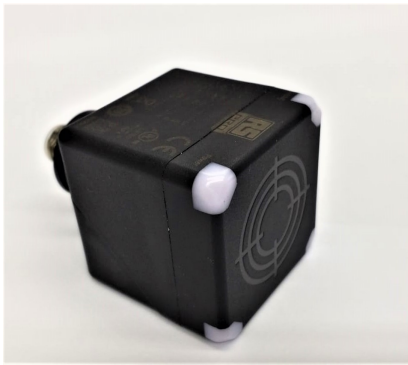


**Datasheet**

# RS PRO INDUCTIVE PROXIMITY SENSORS

Stock No: 2066182





Detailed technical data

Features

Housing	Rectangular
Housing	Short-body
Dimensions (W x H x D)	40 mm x 40 mm x 66 mm
Sensing range $S_n$	40 mm
Safe sensing range $S_a$	32.4 mm
Installation type	Non-flush
Switching frequency	100 Hz
Connection type	Male connector M12, 4-pin
Switching output	PNP
Output function	NO
Electrical wiring	DC 3-wire
Enclosure rating	IP67, IP68, IP69K
Special applications	Difficult application conditions

Mechanics/electronics

Supply voltage	10 V DC ... 30 V DC
Ripple	$\leq 10 V_{pp}$ 1)
Voltage drop	$\leq 2 V$
Current consumption	20 mA 2)
Time delay before availability	$\leq 50 ms$
Hysteresis	3 % ... 15 % 3)
Reproducibility	$\leq 6 %$
Temperature drift (of $S_r$ )	$\pm 10 %$
Continuous current $I_a$	$\leq 200 mA$
Short-circuit protection	✓
Reverse polarity protection	✓

Power-up pulse protection	✓
Shock and vibration resistance	30 g, 11 ms / 10 ... 55 Hz, 1 mm
Ambient operating temperature	-25 °C ... +85 °C
Ambient storage temperature	-40 °C ... +85 °C
Housing material	Plastic, PA 66
Sensing face material	Plastic, PA 66
Tightening torque, max.	1.8 Nm
Items supplied	Push-lock mounting system (1x)
Protection class	II 4)
UL File No.	E348498

1) Of Ub.

2) Without load.

3) Of S<sub>r</sub>.

4) Reference voltage: 50 V DC.

### Safety-related parameters

MTTF <sub>D</sub>	1,406 years
DC <sub>avg</sub>	0%

### Reduction factors

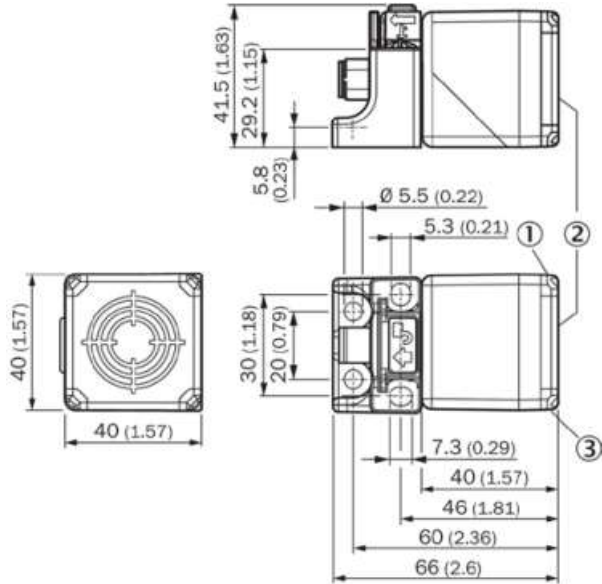
Note	The values are reference values which may vary
Stainless steel (V2A, 304)	Approx. 0.8
Aluminum (Al)	Approx. 0.34
Copper (Cu)	Approx. 0.27
Brass (Br)	Approx. 0.38

### Installation note

Remark	Associated graphic see "Installation"
A	42 mm
B	150 mm
C	40 mm
D	120 mm
E	40 mm
F	150 mm

Dimensional drawing (Dimensions in mm (inch))

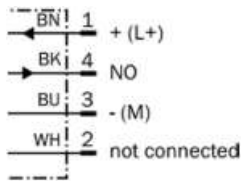
IQG Short-body housing



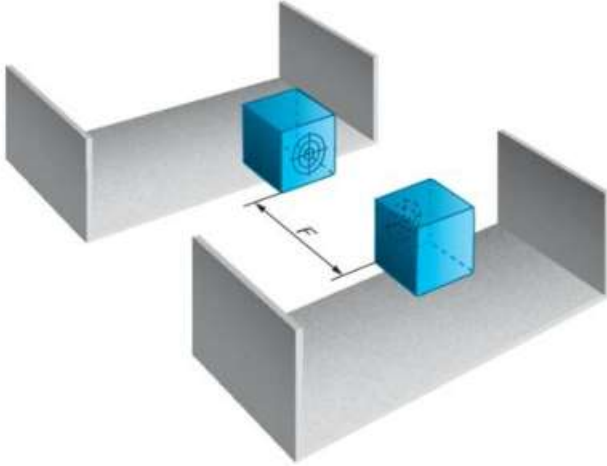
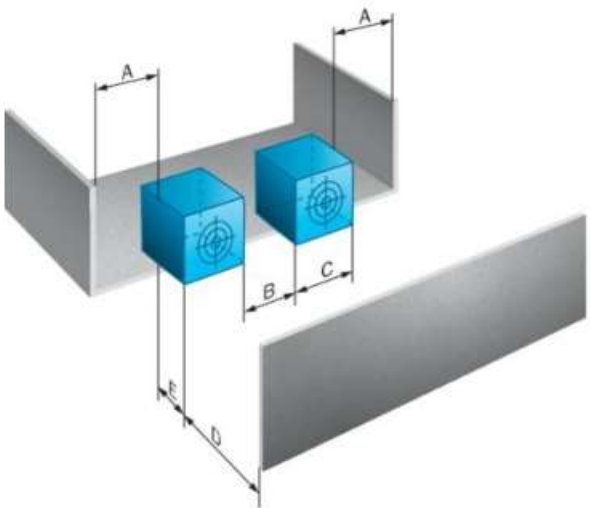
- 1 LED output state, yellow
- 2 Sensing face
- 3 Operational status LED, green

Connection diagram

Cd-011



Instruction for installation



Operating reserve

