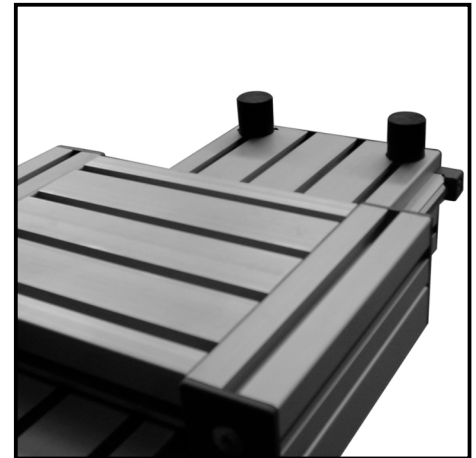
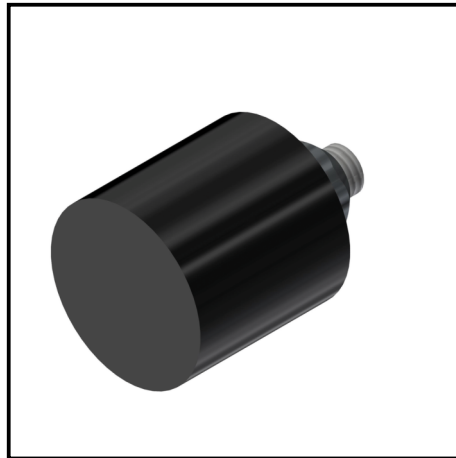
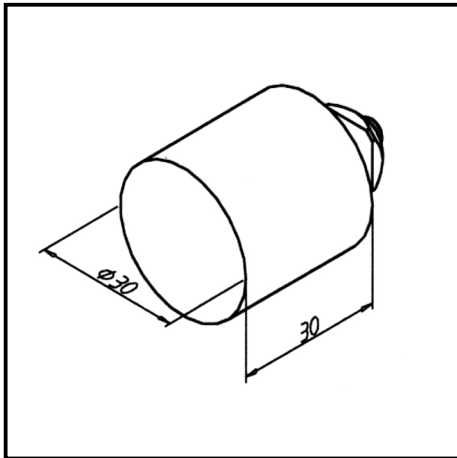


STOPPER 30

Article Nr. 21.1759/1

[See the product on the website](#) →

[Download CAD Files](#) →



TECHN. DATA / ITEMS SUPPLIED

- NBR, black
- With fastening nut steel, galvanized
- With sliding nut M8
- Weight = 0.060 kg/piece

APPLICATIONS

- Stop for heavy doors, long guides

ASSEMBLY

- Fix with square nut M6 in profile groove