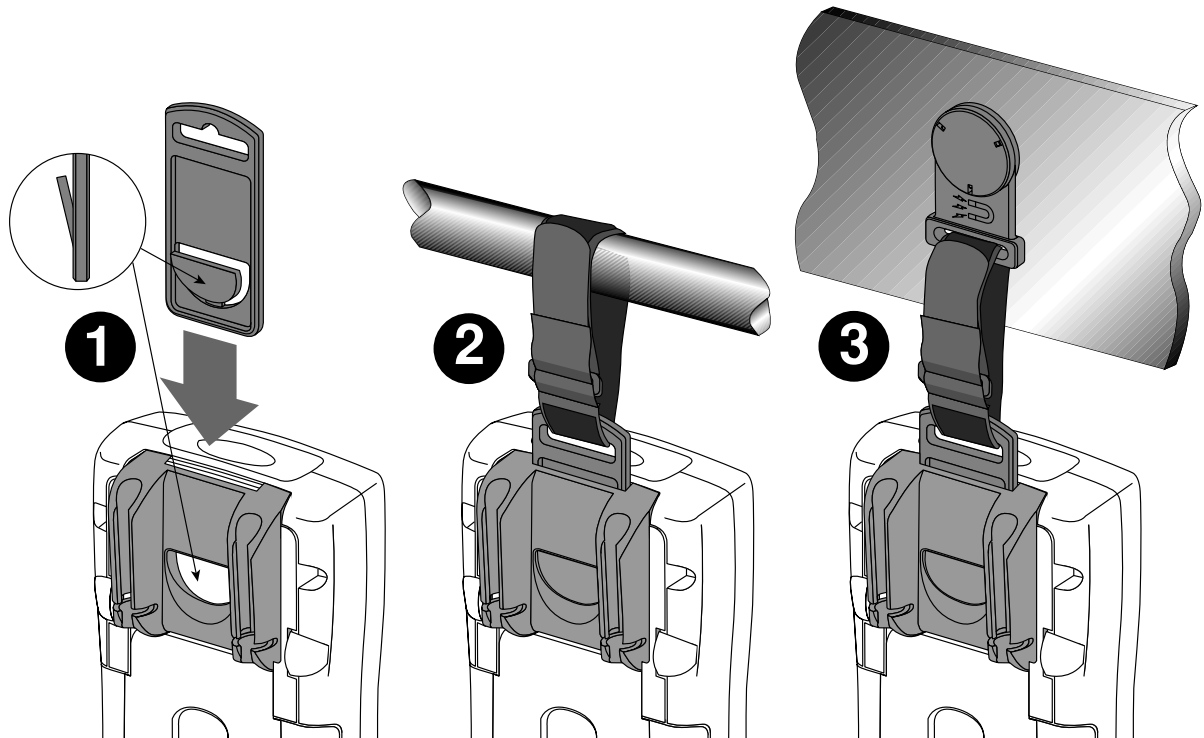


ToolPak™ for Fluke Test Tools

Hang your meter anywhere



1 The universal hanger attaches to the meter and can be used by itself on a nail, hook, with a piece of rope or stiff wire.

2 Two hook-and-loop straps are used with the universal hanger and can be wrapped around a pipe or beam.

3 ToolPak's magnet is used with the universal hanger and is strong enough to securely hold your meter

Now you can hang your meter anywhere with the Fluke ToolPak™ accessories kit. ToolPak includes a universal hanger, a magnet, an adapter and 43 cm and 23 cm "hook-and-loop" hanger straps.

The universal hanger allows you to hang your meter on a nail, hook or other object. You can add a piece of rope, flexible wire or cable to hang the meter in almost any position.

The 43 and 23 cm hook-and-loop straps are used with Fluke's universal hanger to wrap around and connect to a pipe, beam or any other convenient support structure.

And finally, the special magnet accessory is designed to connect to either of the straps. The strong magnet accessory will attach to an electrical panel, a metal doorjamb or any other ferrous-type metal surface.

With the universal hanger, two hook-and-loop straps and the magnet, ToolPak solves almost any hanging and positioning problem you may face. Call your Fluke distributor and ask for the ToolPak accessory kit.

Fluke. *Keeping your world up and running.*

Ordering Information

TPAK ToolPak accessories kit (universal hanger, hook-and-loop straps, magnet, adapter)

TPAK is compatible for Fluke test tools :

- 110/170/180 Series
- 20/70 Series III (with integrated holster, with adapter)
- 724/725/789
- 50 Series II

Fluke Corporation
P.O. Box 9090
Everett, WA USA 98206

Fluke Europe B.V.
P.O. Box 1186
5602 BD Eindhoven
The Netherlands

For more information call:

In the U.S.A. (800) 443-5853 or Fax (425) 356-5116
In Europe/M-East/Africa +31 (0)40 2 678 200 or
Fax +31 (0)40 2 678 222

In Canada (905) 890-7600 or Fax (905) 890-6866

From other countries +1 (425) 356-5500 or Fax +1 (425) 356-5116

Web access: <http://www.fluke.com>