

INDICATOR LIGHT, 22MM, ROUND, PLASTIC, WHITE, SMOOTH LENS



Figure similar

product brand name		SIRIUS ACT
Product designation		Commanding and signaling devices
Design of the product		Pilot Light

Actuator:

Color		
• of the actuating element		White
Material of the actuating element		plastic
Shape of the actuating element		round
Outer diameter of the actuating element	mm	29.45

Front ring:

Product component front ring		No
-------------------------------------	--	----

General technical data:

Vibration resistance		
• acc. to IEC 60068-2-6		10 ... 500 Hz: 5g
Equipment marking		
• acc. to DIN EN 61346-2		P
• acc. to DIN EN 81346-2		P

Ambient conditions:

Ambient temperature		
• during operation	°C	-25 ... +70
• during storage	°C	-40 ... +80

Installation/ mounting/ dimensions:

Height	mm	29.45
---------------	----	-------

Width	mm	29.45
Shape of the installation opening		round
Mounting diameter	mm	22

Certificates/ approvals:

Further information

Information- and Downloadcenter (Catalogs, Brochures,...)

<http://www.siemens.com/industrial-controls/catalogs>

Industry Mall (Online ordering system)

<http://www.siemens.com/industrymall>

Cax online generator

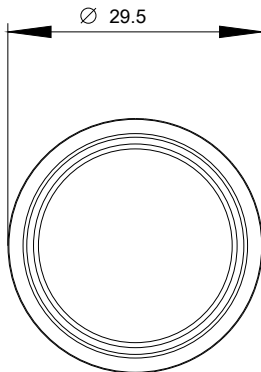
<http://support.automation.siemens.com/WW/CAXorder/default.aspx?lang=en&mlfb=3SU10016AA600AA0>

Service&Support (Manuals, Certificates, Characteristics, FAQs,...)

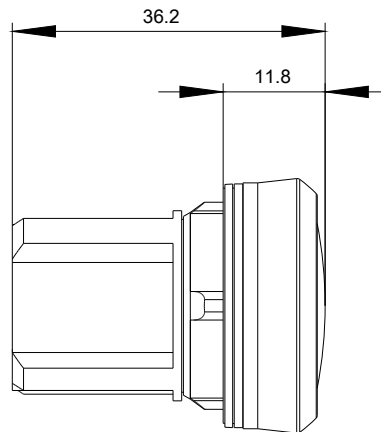
<http://support.automation.siemens.com/WW/view/en/3SU10016AA600AA0/all>

Image database (product images, 2D dimension drawings, 3D models, device circuit diagrams, EPLAN macros, ...)

http://www.automation.siemens.com/bilddb/cax_de.aspx?mlfb=3SU10016AA600AA0&lang=en



last modified:



09.03.2015