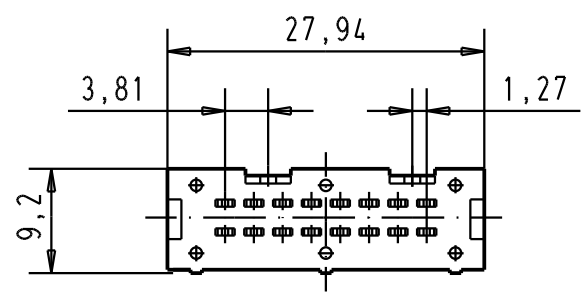
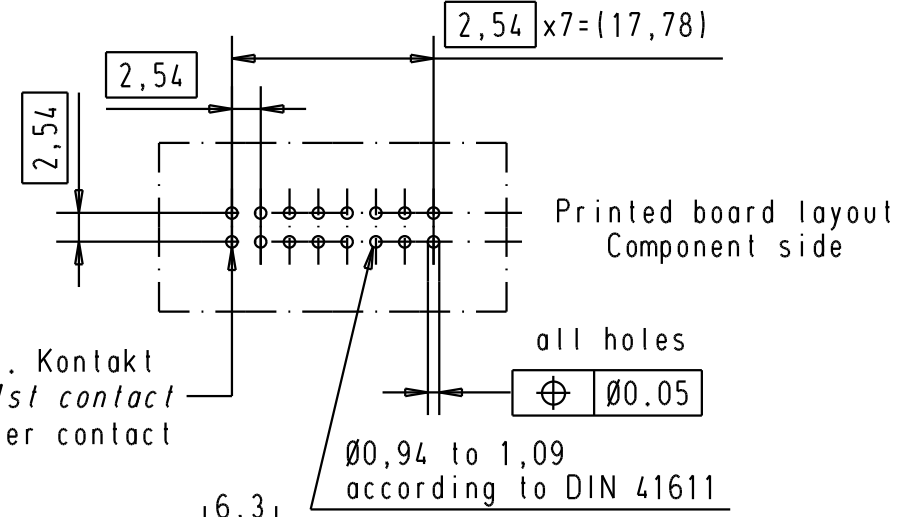
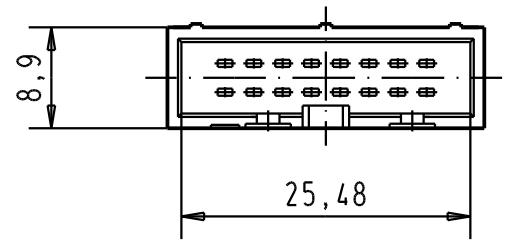
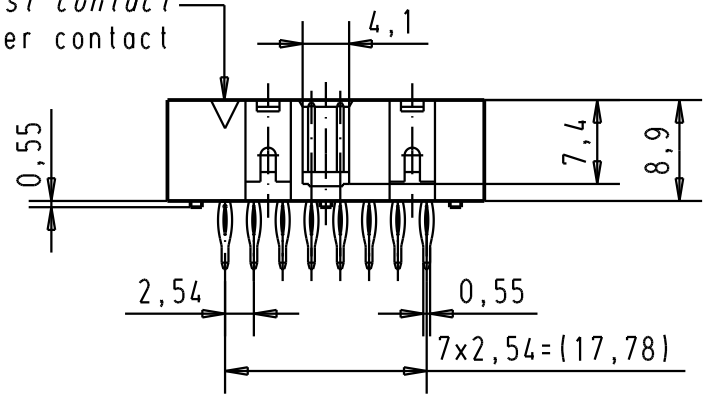


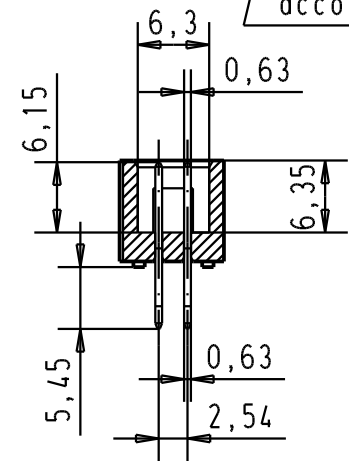
5 4 3 2 1



1. Kontakt
1st contact
1er contact



1. Kontakt
1st contact
1er contact

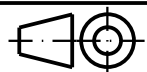


D

C

B

A



All Dimensions in mm
Original Size DIN A 4

Techn. Character.

Nicht tolerierte Masse/ Free size tolerances

09185165329
09185166329
09185167329

0,76 µm Au
2
3
Anforderungsstufe
performance level
Niveau de qualite

32154	27/08/04	TR
26570	01-FEB-00	JB
Mod.	Dat.	Name

	Dat.	Name	Massstab/Scale
Detail.	01-FEB-00	JB	1,5:1
Insp.			
Stand.			

HARTING EURL
F-95972 Paris



SEK 18 Male connector
16 poles
Low profile har.press

TB 0918516x329

Sub.

Blatt/ page
1/1