



ENGLISH

Datasheet

Stock No: 1243897

RS Pro



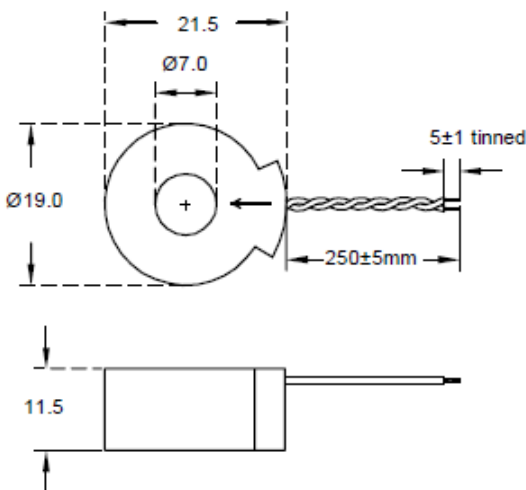
Flying Lead Current Transformers

- Very high output voltage & Linearity in small size
- Integral flying for ease of installation
- Large center-hole allows 6.3mm tabs
- Fully ROHS & REACH Compliance
- All Materials UL94-V0
- Operating temp range -40 deg C to +85 deg C

Electrical Specifications @ 20°C ambient

Primary Current Range	50A Max
Turns Ratio	1000:1 nominal
Burden Resistance	33 Ω
Winding Resistance	72Ω Nominal
Operating Frequency	50/60Hz
Dielectric Withstanding Voltage (Hi-pot)	4KVrms

Mechanical Dimensions



Response Curve

