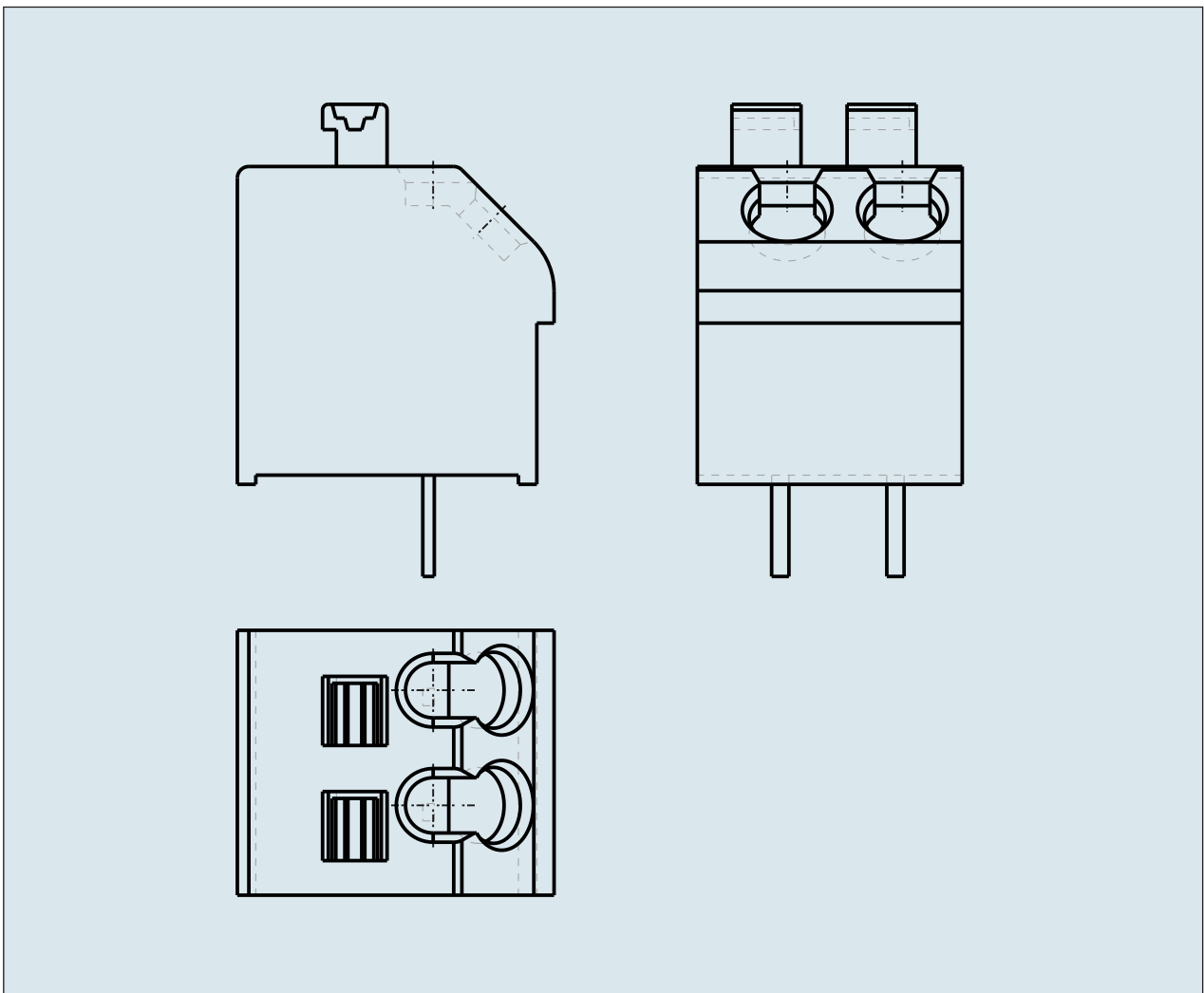
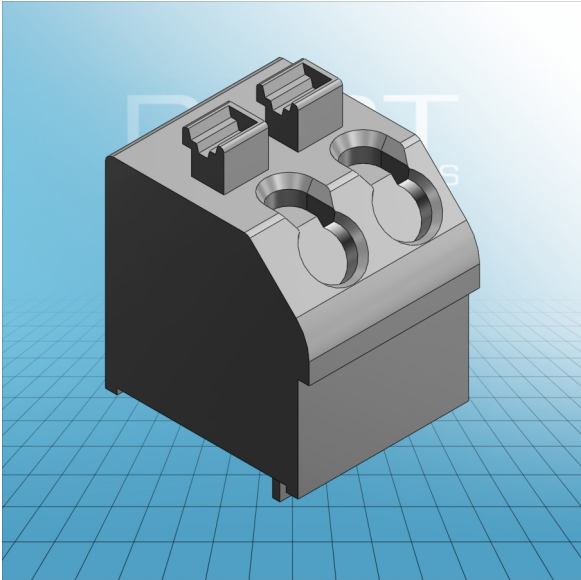


**1-CONDUCTOR PCB TERMINAL  
STRIP 1 SOLDER PIN/POLE IN LINE  
PIN SPACING 5 MM / 0.197 IN WITH  
PUSH BUTTONS**



**1-CONDUCTOR PCB TERMINAL  
STRIP 1 SOLDER PIN/POLE IN LINE  
PIN SPACING 5 MM / 0.197 IN WITH  
PUSH BUTTONS  
250-502 TO 250-516**

<b>ITEM-NO. (ITEM-NO.)</b>	250-502
<b>Cross section1 (Cross section / mm<sup>2</sup>)</b>	0.5 - 1.5
<b>Cross section2 (Cross section / AWG)</b>	20 - 14
<b>Strip length (Strip length / mm)</b>	9 - 10
<b>Measured voltage (Measured voltage / V)</b>	320
<b>Measured shock voltage (Measured shock voltage / kV)</b>	4
<b>Pollution degree (Pollution degree)</b>	2
<b>Current intensity (Current intensity / A)</b>	17.5
<b>RM (PIN SPACING / mm)</b>	5
<b>P (NO. OF POLES)</b>	2
<b>Height (Height / mm)</b>	16.5
<b>Width (Width / mm)</b>	11.5
<b>Depth (Depth / mm)</b>	13
<b>No. of connection Points (No. of connection Points)</b>	2
<b>No. of potentials (No. of potentials)</b>	2
<b>COLOR (COLOR)</b>	grau
<b>Comment (Comment)</b>	L = (No. of poles x Pin Spacing) + 1.5 mm
<b>Dimensions (Dimensions)</b>	1.2 -0.1 mm