

CE

Model Number

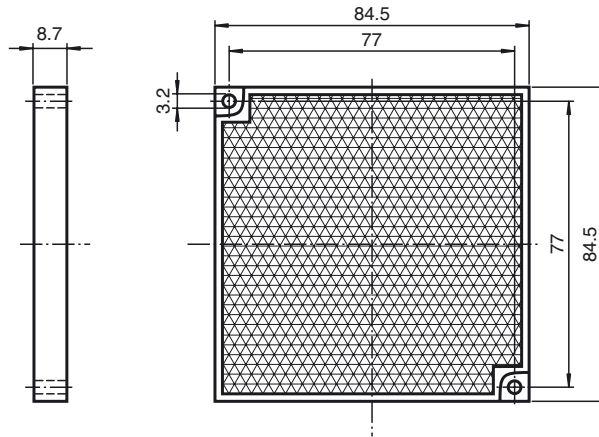
REF-H85-2

Reflector, rectangular 84.5 mm x 84.5 mm, mounting holes

Features

- Mounting holes for simple installation
- High detection ranges achievable

Dimensions



Technical data

General specifications

Construction type rectangular

Ambient conditions

Ambient temperature -20 ... 60 °C (-4 ... 140 °F)

Mechanical specifications

Material PMMA/ABS

Dimensions 84.5 mm x 84.5 mm x 8.7 mm

Mounting mounting holes