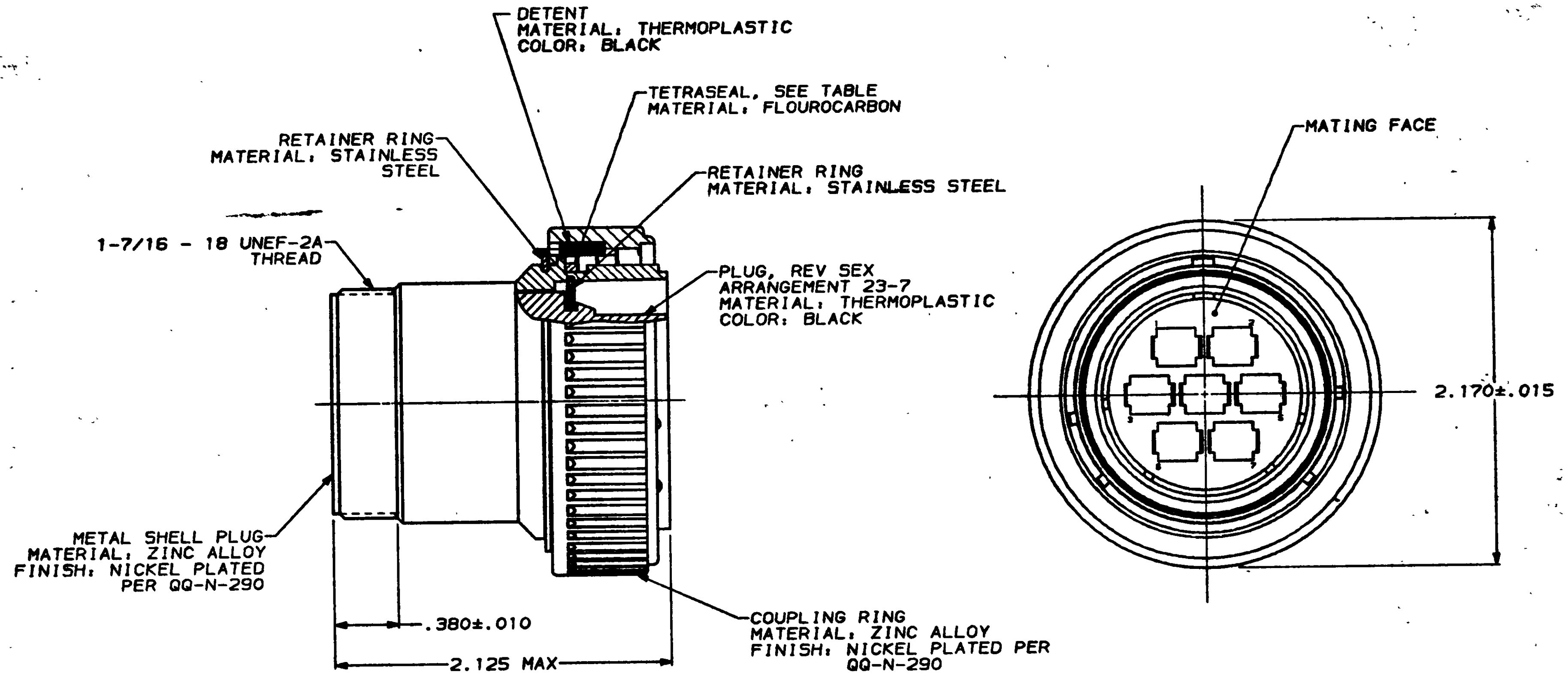


DRAWING MADE IN THIRD ANGLE PROJECTION

THIS DRAWING IS UNPUBLISHED. RELEASED FOR PUBLICATION .18  
 COPYRIGHT © BY AMP INCORPORATED. ALL INTERNATIONAL RIGHTS RESERVED.

NO		LBR		DTSY		REV		REVISIONS		DATE	APPD
23	BD	35	P	P	ZONE	LTR	DESCRIPTION				
						N	REDRAWN		8-27-91		-
						P	REV PER ECN 805454		08/28/92		KB



YES	208484-3
NO	208484-1
TETRASEAL	PART NUMBER

- 208484-1 MATES WITH AMP RECEPTACLE 208485-1 OR -2. 208484-3 MATES WITH AMP RECEPTACLE 208485-1 ONLY.
- AMP PART NUMBER AND DATE CODE TO BE LOCATED ON COUPLING RING.

DO NOT SCALE PRINT. UNLESS SPECIFIED DIMENSIONS IN INCHES TOLERANCES ON: 2 PLC DEC * - 3 PLC DEC * - ANGLES * -	DR 8-27-91 R.LEE BG CHK 4-20-92 W.G.LENKER APPD 4-20-92 K.BEAVER APPD 4-20-92 C.ROHDE PRODUCT SPEC 108-10040 APPLICATION SPEC - WEIGHT -	AMP Incorporated Harrisburg, PA 17105-3808 NAME PLUG ASSEMBLY, REV SEX, SERIES 3, 28-7, CMC
SEE CALLOUT	SEE CALLOUT	SIZE C CAGE CODE 00779 DRAWING NO 208484 SCALE 2:1 SHEET 1 OF 1

CUSTOMER DRAWING