

3

Heavy duty rollers Series 1900

Conveyor systems

- Heavy roller conveyor

Capacity

- Up to 800 daN

Conveyed goods

- Heavy conveyor goods
- Containers
- Barrels

Applications

- Foundries
- Steel mills
- Automotive industry
- Air cargo
- Oil industry

Features

- Labyrinth sealing inside and outside the bearing protects completely from dust, rain, mud, rust, etc. ideal for use in difficult conditions.
- Minimal out of balance due to close manufacturing tolerances
- Long life span
- Wide operating temperature range (-20°C...+100°C)
- High conveyor speed (up to 3 m/s)

Dimensions

Tube

- Steel according to DIN 2394
- Diameter 63.5 76 89 102 108 127 133

Spindle

- Steel self colour
- Spindle with machined flats, diameter 20 or 25 mm
- Female threaded, diameter 20 or 25 mm
- Other spindle versions on request

Bearing

- Bearing end cap from steel, deep drawn
- Precision bearing series 6204 6205 according to spindle diameter

Options

- Chain driven version see series 3900
- Flanges on one or both ends of the tube
- Rubber impact rings
- Crowned tube (belt roller)



**Heavy duty
rollers
Series 1900**

**Load capacity in
relation to roller
length**
(in daN)

Tube Ø63,5x3 mm

EL mm	Spindle	
	Fixed	Loose
200	598	598
400	598	598
600	598	447
800	598	335
1000	393	272
1200	219	219
1400	134	134
1600	88	88
1800	61	61
2000	44	44

Tube Ø76x3 mm

EL mm	Spindle	
	Fixed	Loose
200	598	598
400	598	598
600	598	432
800	598	319
1000	598	255
1200	384	213
1400	236	184
1600	155	155
1800	107	107
2000	77	77

Tube Ø89x3 mm

EL mm	spindle		spindle	
	loose		fixed	
	Ø 20	Ø25	Ø20	Ø25
200	598	800	598	800
400	598	800	598	800
600	425	800	598	800
800	311	800	598	800
1000	247	649	598	800
1200	205	549	598	800
1400	176	480	514	523
1600	155	337	337	343
1800	138	233	233	236
2000	125	168	168	170

Tube Ø102x3 mm

EL mm	spindle		spindle	
	loose		fixed	
	Ø 20	Ø25	Ø20	Ø25
200	598	800	598	800
400	598	800	598	800
600	421	800	598	800
800	307	701	598	800
1000	243	558	598	800
1200	201	465	598	800
1400	172	401	598	798
1600	150	354	515	523
1800	134	318	356	361
2000	121	259	256	259



**Heavy duty
rollers
Series 1900**

Tube Ø108x3,5 mm

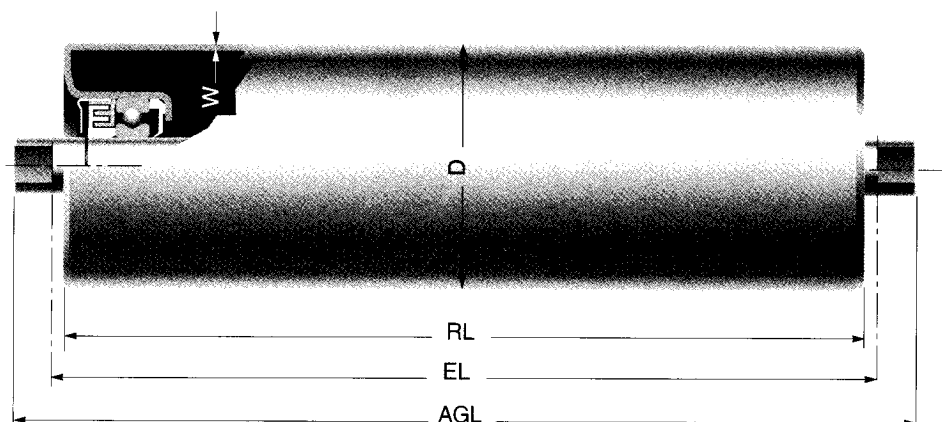
EL			Fixed spindle	
	Ø 20	Ø25	Ø20	Ø25
200	598	800	598	800
400	598	800	598	800
600	419	800	598	800
800	306	710	598	800
1000	241	563	598	800
1200	199	468	598	800
1400	170	403	598	800
1600	149	354	598	669
1800	132	317	457	462
2000	119	288	329	332

Tube Ø133x4 mm

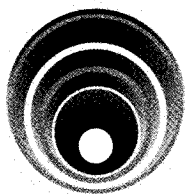
EL			Fixed spindle	
	Ø 20	Ø25	Ø20	Ø25
200	598	800	598	800
400	598	800	598	800
600	416	800	598	800
800	302	693	598	800
1000	238	546	598	800
1200	196	451	598	800
1400	167	385	598	800
1600	145	336	598	800
1800	129	298	598	800
2000	116	269	598	764

The maximum admissible conveyor speed is 3.0 m/s for all rollers of this series

**Heavy duty
rollers
Series 1900**



Available Tubes

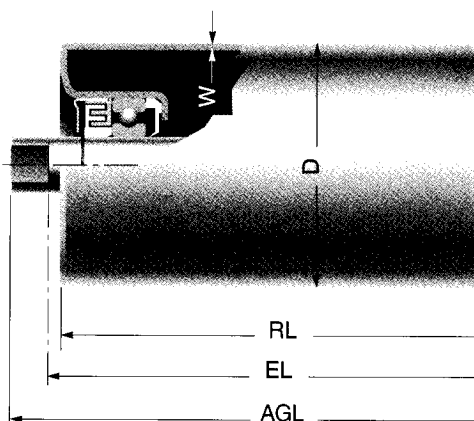


Tube-Ø	Wall thickness	Material
63.5mm	3.0mm	Steel
76mm	3.0mm	Steel
89mm	3.0mm	Steel
102mm	3.0mm	Steel
108mm	3.5mm	Steel
133mm	4.0mm	Steel
159mm	4.5mm	Steel

3

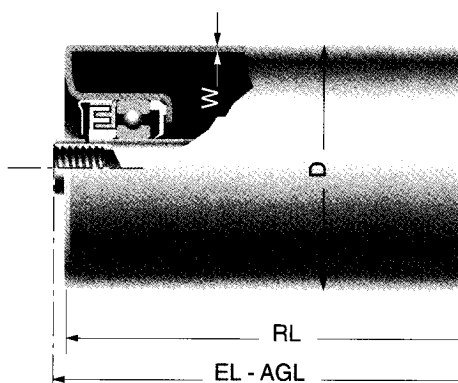
Spindles

Spindle with machined flats



Spindle-Ø	Roller-Ø	EL=RL+	AGL=EL+
20mm A/F14x9	63.5-133	8mm	20mm
25mm A/F18x12	89-159	8mm	20mm

Female threaded spindle



Spindle-Ø	Roller-Ø	EL=RL+
20mm M12x20	63.5 - 133	8mm
25mm M16x25	89 - 159	8mm

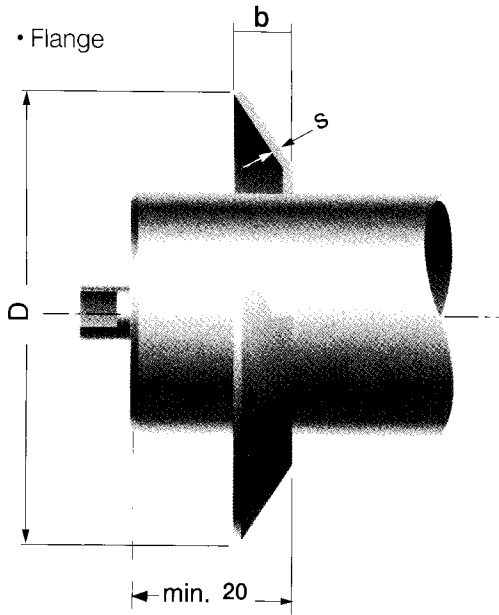
Other spindles available on request

Available bearing types



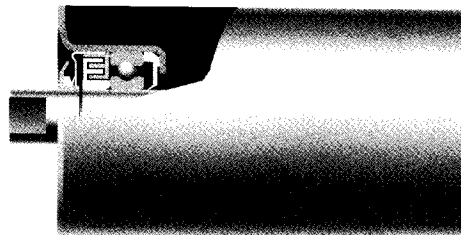
Bearing	Spindle-Ø	Type
Precision bearing	20	6204
Precision bearing	25	6205

Options



Ø Tube	D	S	b
76	150	3	15
89	150	4	18

- Additional V-sealing for extra bearing protection



3