

# SCREW-ON TYPE AIR BREATHERS

G<sup>1</sup>/<sub>2</sub> and G<sup>3</sup>/<sub>4</sub> (Ø101)

## SPECIFICATIONS (For Option 1)

### New design & new features

- IP65 certification
- Water hosedown resistance
- Anti-splash design as standard
- Non-corrodible construction
- Pressurized options – 0.2, 0.35 and 0.7 bar

**Construction:** Moulded in non-corrodible glass-filled nylon combining strength with a lightweight design.

**Option 1:** 2 screw on type air breathers are available – G<sup>1</sup>/<sub>2</sub> or G<sup>3</sup>/<sub>4</sub> threaded base models.

**Filtration Element:** Expanded Polyurethane foam, 10 micron.

**Seals:** Nitrile.

**Working Temperature:** -30°C to +90°C.

**Pressurized Air Breathers:** Available in 3 pressure options to reduce the risk of contamination.

**Pressurization Options:** 0.2, 0.35 and 0.7 bar crack pressure.

**Pressurization Valve:** Nylon/Nitrile.

**Dipstick:** Available for use with all options. Dipsticks are available in 2 lengths and in packs of 10.

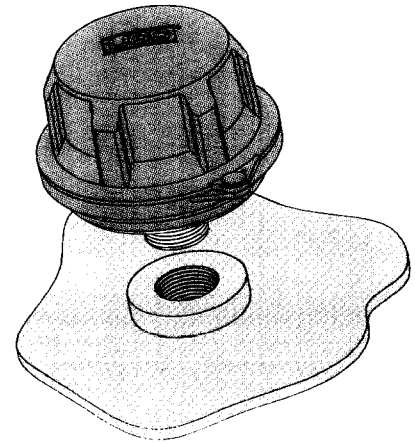
**Dipstick Material:** ABS.

**Hi/Lo Indicators:** Acetal. Adjustable Red/Green level indicators

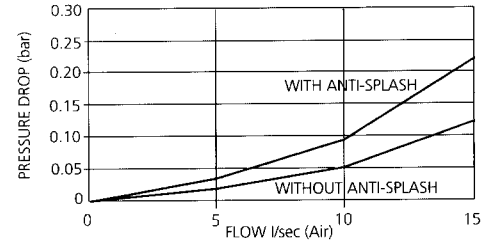
**Dipstick Lengths:** 200mm and 400mm

**Breather Weight:** 0.2kg.

**Anti-Splash Feature:** The unique design anti-splash feature is standard on Option 1 and allows for a dipstick to be fitted if required.

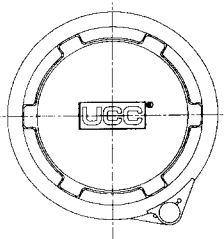
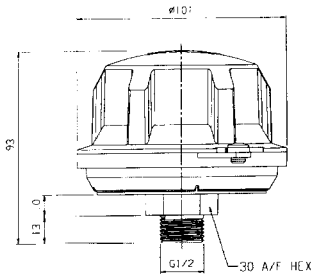


AB.98XXX Screw-On Non-Pressurized Pressure Drop Curves

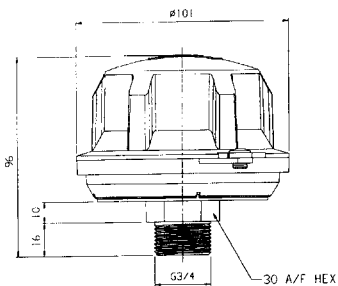


Note: For pressure drop information on the Option 1. Pressurized consult UCC.

### Option 1 – G<sup>1</sup>/<sub>2</sub>



### Option 1 – G<sup>3</sup>/<sub>4</sub>



### Option 1 – G<sup>1</sup>/<sub>2</sub> or G<sup>3</sup>/<sub>4</sub>

Part number
AB.98610101.UC
AB.98612101.UC
AB.98613101.UC
AB.98617101.UC
AB.98410101.UC
AB.98412101.UC
AB.98413101.UC
AB.98417101.UC
DIP.206
DIP.207

**OPTION 2 – G<sup>1</sup>/<sub>4</sub>, G<sup>3</sup>/<sub>8</sub>, R<sup>1</sup>/<sub>2</sub> and R<sup>3</sup>/<sub>4</sub> (Ø40)**

**OPTION 3 – G<sup>3</sup>/<sub>8</sub>, G<sup>1</sup>/<sub>2</sub> and G<sup>3</sup>/<sub>4</sub> (Ø70)**

**SPECIFICATIONS (For options 2 and 3)**

**Construction:** Option 2 G<sup>1</sup>/<sub>4</sub>, G<sup>3</sup>/<sub>8</sub>, R<sup>1</sup>/<sub>2</sub> and R<sup>3</sup>/<sub>4</sub> cap and base plate mouldings in nylon 66 and Option 3 mouldings in glass-filled nylon and glass-coupled polypropylene.

**Element:** Expanded Polyurethane foam, 10 micron. **Seals:** Nitrile.

**Pressurized Air Breathers:** Available G<sup>3</sup>/<sub>8</sub>, G<sup>1</sup>/<sub>2</sub> and G<sup>3</sup>/<sub>4</sub>, 3 pressure options to reduce the risk of contamination (Option 3).

**Pressurization Options:** 0.2, 0.35 and 0.7 bar crack pressure.

**Pressurization Valve:** Nylon

**Dipstick:** Available for use with R<sup>1</sup>/<sub>2</sub>, R<sup>3</sup>/<sub>4</sub> (Option 2) and G<sup>3</sup>/<sub>8</sub>, G<sup>1</sup>/<sub>2</sub> and G<sup>3</sup>/<sub>4</sub> (Option 3).

**Dipstick Material:** ABS G<sup>1</sup>/<sub>4</sub>, G<sup>3</sup>/<sub>8</sub> (Option 2) and mini-series in brass.

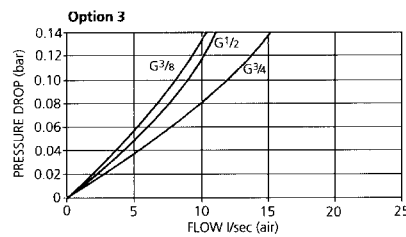
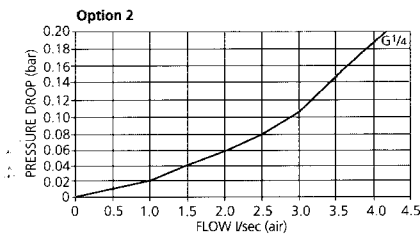
**Hi/Lo Indicators:** Acetal adjustable red/green level indicators.

**Dipstick Lengths:** 200mm and 400mm (packs of 10).

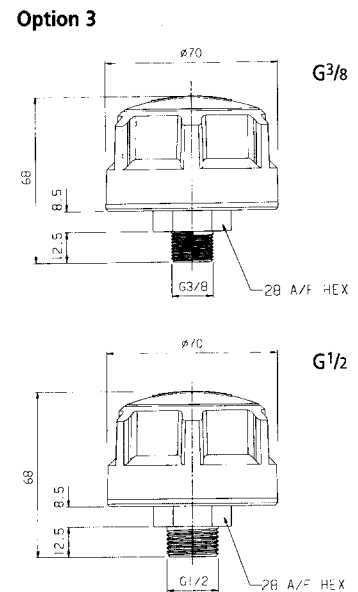
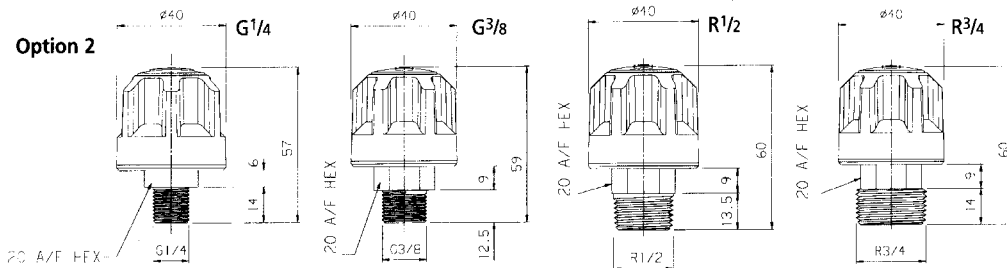
**Breather Weights:** Option 2 = 0.028kg, Option 3 = 0.075kg, Mini-series = 0.019kg.

- *Non-corrodible construction.*
- *10 micron element.*
- *New G<sup>3</sup>/<sub>8</sub>, R<sup>1</sup>/<sub>2</sub> and R<sup>3</sup>/<sub>4</sub> screw-ons. (Option 2).*
- *Pressurized options – 0.2, 0.35 and 0.7 bar.*
- *2 dipstick options with adjustable level indicators for Options 1, 2 and 3.*
- *Mini-series breather model available with dipstick option.*
- *NPT options available. Consult UCC.*

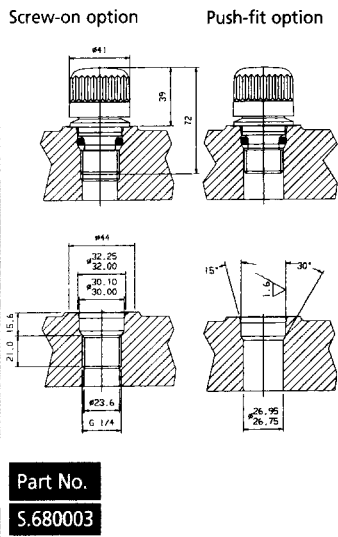
**SCREW-ON TYPE AIR BREATHERS Pressure drop flow curves (Options 2 and 3)**



Note: For pressure drop information on G<sup>3</sup>/<sub>8</sub>, R<sup>1</sup>/<sub>2</sub> and R<sup>3</sup>/<sub>4</sub> consult UCC.



**THE MINI-SERIES BREATHER**



**Option 2 G<sup>1</sup>/<sub>4</sub>, G<sup>3</sup>/<sub>8</sub>, R<sup>1</sup>/<sub>2</sub> and R<sup>3</sup>/<sub>4</sub>**

Part number
AB.683101.UC
AB.68X101.UC
AB.68Y101.UC
AB.68Z101.UC

**Option 3 G<sup>3</sup>/<sub>8</sub>, G<sup>1</sup>/<sub>2</sub> and G<sup>3</sup>/<sub>4</sub>**

SAB.5101
SAB.6101
SAB.7101

**Dipstick ordering**

DIP.206
DIP.207

Note: Pressurized versions of the Option 3, G<sup>3</sup>/<sub>8</sub>, G<sup>1</sup>/<sub>2</sub> and G<sup>3</sup>/<sub>4</sub> models are available. Consult UCC.

