

### GENERAL DESCRIPTION

The XR3160 is an advanced multiprotocol transceiver supporting RS-232, RS-485, and RS-422 serial standards. Full operation requires only four external charge pump capacitors.

The RS-485/RS-232 pin selects RS-485 mode when high and RS-232 mode when low. The HALF/FULL pin configures the RS-485 modes as either half or full duplex.

The high speed drivers operate up to 20Mbps in RS-485/422 modes, and up to 1Mbps in RS-232 mode. All drivers can be slew limited to 250kbps in any mode to minimize electromagnetic interference (EMI) by setting the dedicated SLEW pin low.

All transmitter outputs and receiver inputs feature robust electrostatic discharge (ESD) protection to  $\pm 15\text{kV}$  IEC 61000-4-2 Airgap,  $\pm 15\text{kV}$  Human Body Model (HBM) and  $\pm 8\text{kV}$  IEC 61000-4-2 Contact. Each receiver output has full fail-safe protection to avoid system lockup, oscillation, or indeterminate states by defaulting to logic-high output level when the inputs are open, shorted, or terminated but undriven. No external biasing resistors are required.

The RS-232 receiver inputs include a  $5\text{k}\Omega$  pull-down to ground when in RS-232 mode. The RS-485/422 receiver inputs are high impedance ( $>96\text{k}\Omega$ ), allowing up to 256 devices on a single communication bus (1/8th unit load).

The XR3160 operates from a single power supply, 3V to 5.5V, with low idle current. The shutdown mode consumes less than  $1\mu\text{A}$  in low power standby operation with RS-232 receivers enabled.

### FEATURES

- **Pin Compatible Upgrade** for MAX3160 (20 SSOP)
- IEC Level 4 ESD Protection
  - $\pm 15\text{kV}$  IEC 61000-4-2 Air Gap Discharge
  - $\pm 8\text{kV}$  IEC 61000-4-2 Contact Discharge
  - $\pm 15\text{kV}$  Human Body Model (HBM)
- **20Mbps RS-485** and 1Mbps RS-232 Data Rates
- Pin-Selectable 250kbps Slew Limiting
- **Single Supply Operation from +3V to +5.5V**
- 2 Drivers, 2 Receivers RS-232/V.28
- 1 Driver, 1 Receiver RS-485/422
  - Full or Half Duplex Configuration
  - 1/8th Unit Load, up to 256 receivers on bus
- RS-485/422 Enhanced Receiver Fail-safe for open, shorted, or terminated but idle inputs
- **10nA Shutdown Supply Current** (typical)

### TYPICAL APPLICATIONS

- Software Programmable Serial Ports (RS-232, RS-422, RS-485)
- Embedded and Industrial PCs (IPC)
- Process Control Equipment
- Point-Of-Sales Equipment
- Networking Equipment
- HVAC Controls Equipment
- Building Security and Automation

### ORDERING INFORMATION

| PART NUMBER | PACKAGE     | OPERATING TEMPERATURE RANGE | DEVICE STATUS |
|-------------|-------------|-----------------------------|---------------|
| XR3160EIU-F | 20-pin SSOP | -40°C to +85°C              | In Production |
| XR3160ECU-F | 20-pin SSOP | 0°C to +70°C                | In Production |

**NOTE:** Tape and Reel part numbers are XR3160ExUTR-F, -F = Green / RoHS Compliant

# XR3160E

## RS-232/RS-485/RS-422 TRANSCEIVER WITH 15KV ESD PROTECTION

REV. 1.0.0

### ABSOLUTE MAXIMUM RATINGS

These are stress ratings only and functional operation of the device at these ratings or any other above those indicated in the operation sections to the specifications below is not implied. Exposure to absolute maximum rating conditions for extended periods of time may affect reliability and cause permanent damage to the device.

|   |                 |
|---|-----------------|
| Supply Voltage $V_{CC}$   | -0.3V to +6.0V  |
| Voltage at TTL Input Pins                                       | -0.3V to +6.0V  |
| Receiver Input Voltage (from Ground)                            | $\pm 18V$       |
| Driver Output Voltage (from Ground)                             | $\pm 18V$       |
| Short Circuit Duration, TX out to Ground                        | Continuous      |
| Storage Temperature Range                                       | -65°C to +150°C |
| Lead Temperature (soldering, 10s)                               | +300°C          |
| Power Dissipation 20-pin SSOP<br>(derate 12.0mW/°C above +70°C) | 662mW           |

#### CAUTION:

ESD (ElectroStatic Discharge) sensitive device. Permanent damage may occur on unconnected devices subject to high energy electrostatic fields. Unused devices must be stored in conductive foam or shunts. Personnel should be properly grounded prior to handling this device. The protective foam should be discharged to the destination socket before devices are removed.

### ESD PROTECTION

|                           | MIN. | TYP.     | MAX. | UNITS |                        |
|---------------------------|------|----------|------|-------|------------------------|
| Tx Output & Rx Input Pins |      | $\pm 15$ |      | kV    | IEC 61000-4-2 Airgap   |
|                           |      | $\pm 8$  |      | kV    | IEC 61000-4-2 Contact  |
|                           |      | $\pm 15$ |      | kV    | Human Body Model (HBM) |
| All Other Pins            |      | $\pm 3$  |      | kV    | Human Body Model (HBM) |

## ELECTRICAL CHARACTERISTICS

UNLESS OTHERWISE NOTED:

$V_{CC} = +3V$  to  $+5.5V$ ,  $C1-C4 = 0.1\mu F$ ;  $T_A = T_{MIN}$  to  $T_{MAX}$ . Typical values are at  $V_{CC} = 3.3V$ ,  $T_A = +25^\circ C$ .

| SYMBOL   | PARAMETERS                            | MIN.         | TYP.       | MAX.     | UNITS   | CONDITIONS  |
|--|---------------------------------------|--------------|------------|----------|---------|---|
| <b>DC CHARACTERISTICS</b>  |                                       |              |            |          |         |   |
| $I_{CC}$   | Supply Current (RS-232)               |              | 1.2        | 2.5      | mA      | No load, Idle inputs, RS-485/RS-232 = 0V                  |
| $I_{CC}$   | Supply Current (RS-485/422)           |              | 2.5        | 5.5      | mA      | No load, Idle inputs, RS-485/RS-232 = $V_{CC}$            |
| $I_{CC}$   | $V_{CC}$ Shutdown Current             |              | 0.01       | 1        | $\mu A$ | $\overline{SHDN} = 0V$ , Receiver inputs open or grounded |
| <b>TRANSMITTER and LOGIC INPUT PINS (DI, T1IN, T2IN, DE, <math>\overline{SHDN}</math>, <math>\overline{SLEW}</math>, HALF/FULL, RS-485/RS-232)</b> |                                       |              |            |          |         |   |
| $V_{IL}$   | Logic Input Voltage Low               |              |            | 0.8      | V       |   |
| $V_{IH}$   | Logic Input Voltage High              | 2.0          |            |          | V       | $V_{CC} = +3.3V$  |
| $V_{IH}$   | Logic Input Voltage High              | 2.4          |            |          | V       | $V_{CC} = +5.0V$  |
| $I_{INL}$  | Logic Input Leakage Current           |              | $\pm 0.01$ | $\pm 1$  | $\mu A$ |   |
| $V_{HYS}$  | Logic Input Hysteresis                |              | 0.2        |          | V       |   |
| <b>RS-232 and RS-485/422 RECEIVER OUTPUTS (R1OUT, R2OUT, RO)</b>   |                                       |              |            |          |         |   |
| $V_{OL}$   | Receiver Output Voltage Low           |              |            | 0.4      | V       | $I_{OUT} = 2.5mA$   |
| $V_{OH}$   | Receiver Output Voltage High          | $V_{CC}-0.6$ |            |          | V       | $I_{OUT} = -1.5mA$  |
| $I_{OSS}$  | Receiver Output Short Circuit Current |              | $\pm 20$   | $\pm 85$ | mA      | $0 \leq V_O \leq V_{CC}$                                  |
| $I_{OZ}$   | Receiver Output Leakage Current       |              | $\pm 0.05$ | $\pm 1$  | $\mu A$ | $0 \leq V_O \leq V_{CC}$ , Receivers disabled             |

## ELECTRICAL CHARACTERISTICS (Continued)

UNLESS OTHERWISE NOTED:

 $V_{CC} = +3V$  to  $+5.5V$ ,  $C1-C4 = 0.1\mu F$ ;  $T_A = T_{MIN}$  to  $T_{MAX}$ . Typical values are at  $V_{CC} = 3.3V$ ,  $T_A = +25^\circ C$ .

| SYMBOL  | PARAMETERS                   | MIN.      | TYP.      | MAX.      | UNITS      | CONDITIONS   |
|---|------------------------------|-----------|-----------|-----------|------------|--|
| <b>RS-232 SINGLE-ENDED RECEIVER INPUTS (R1IN, R2IN)</b>       |                              |           |           |           |            |  |
| $V_{IN}$  | Input Voltage Range          | -15       |           | +15       | V          |  |
| $V_{IL}$  | Input Threshold Low          | 0.6       | 1.2       |           | V          | $V_{CC} = +3.3V$   |
|   |                              | 0.8       | 1.5       |           | V          | $V_{CC} = +5.0V$   |
| $V_{IH}$  | Input Threshold High         |           | 1.5       | 2.0       | V          | $V_{CC} = +3.3V$   |
|   |                              |           | 1.8       | 2.4       | V          | $V_{CC} = +5.0V$   |
| $V_{HYS}$   | Input Hysteresis             |           | 0.5       |           | V          |  |
| $R_{IN}$  | Input Resistance             | 3         | 5         | 7         | k $\Omega$ | $V_{CC} = +3.0V$ to $5.5V$   |
| <b>RS-232 SINGLE-ENDED TRANSMITTER OUTPUTS (T1OUT, T2OUT)</b> |                              |           |           |           |            |  |
| $V_{OUT}$   | Output Voltage Swing         | $\pm 5.0$ | $\pm 5.4$ |           | V          | Outputs loaded with $3k\Omega$ to Gnd                                    |
| $R_{OFF}$   | Output Power Off Impedance   | 300       | 10M       |           | $\Omega$   | $V_{CC} = 0V$ , $V_{OUT} = \pm 2V$                                       |
| $I_{SC}$  | Output Short Circuit Current |           | $\pm 30$  | $\pm 60$  | mA         | $V_{OUT} = 0V$   |
| $I_O$   | Output Leakage Current       |           |           | $\pm 125$ | $\mu A$    | $\overline{SHDN} = 0V$ , $V_{OUT} = \pm 9V$ ,<br>$V_{CC} = 0V$ or $5.5V$ |

**ELECTRICAL CHARACTERISTICS (Continued)**

UNLESS OTHERWISE NOTED:

$V_{CC} = +3V$  to  $+5.5V$ ,  $C1-C4 = 0.1\mu F$ ;  $T_A = T_{MIN}$  to  $T_{MAX}$ . Typical values are at  $V_{CC} = 3.3V$ ,  $T_A = +25^\circ C$ .

| SYMBOL   | PARAMETERS   | MIN. | TYP. | MAX.      | UNITS      | CONDITIONS  |
|--|--|------|------|-----------|------------|---|
| <b>RS-485/422 DIFFERENTIAL RECEIVER INPUTS (A,B)</b> |  |      |      |           |            |   |
| $R_{IN}$   | Receiver Input Resistance                          | 96   |      |           | k $\Omega$ | $-7V \leq V_{CM} \leq +12V$   |
| $I_{IN}$   | Receiver Input Current                             |      |      | 125       | $\mu A$    | $V_{IN} = +12V$   |
|  |  |      |      | -100      | $\mu A$    | $V_{IN} = -7V$  |
| $V_{TH}$   | Receiver Differential Threshold Voltage            | -200 | -125 | -50       | mV         | $-7V \leq V_{CM} \leq +12V$   |
| $\Delta V_{TH}$                                      | Receiver Input Hysteresis                          |      | 30   |           | mV         |   |
| <b>RS-485/422 DIFFERENTIAL DRIVER OUTPUTS (Y, Z)</b> |  |      |      |           |            |   |
| $V_{OD}$   | Differential Driver Output                         | 1.5  |      | $V_{CC}$  | V          | $R_L = 54\Omega$ (RS-485), <a href="#">Figure 4</a>   |
|  |  | 1.5  |      | $V_{CC}$  | V          | $-7V \leq V_{CM} \leq +12V$ , <a href="#">Figure 5</a>  |
|  |  | 2    |      | $V_{CC}$  | V          | $R_L = 100\Omega$ (RS-422), <a href="#">Figure 4</a>  |
| $ \Delta V_{OD} $                                    | Change In Magnitude of Differential Output Voltage |      |      | 0.2       | V          | $R_L = 54\Omega$ or $100\Omega$ , <a href="#">Figure 4</a>  |
| $V_{CM}$   | Driver Common Mode Output Voltage                  |      |      | 3         | V          | $R_L = 54\Omega$ or $100\Omega$ , <a href="#">Figure 4</a>  |
| $ \Delta V_{CM} $                                    | Change In Magnitude of Common Mode Output Voltage  |      |      | 0.2       | V          | $R_L = 54\Omega$ or $100\Omega$ , <a href="#">Figure 4</a>  |
| $I_{OSD}$  | Driver Output Short Circuit Current                |      |      | $\pm 250$ | mA         | $-7V \leq V_Y$ or $V_Z \leq +12V$ , <a href="#">Figure 6</a>  |
| $I_O$  | Driver Output Leakage Current                      |      |      | $\pm 125$ | $\mu A$    | $DE = 0V$ or $\overline{SHDN} = 0V$ ,<br>$V_Y$ or $V_Z = -7V$ or $+12V$ ,<br>$V_{CC} = 0V$ or $5.25V$ |

## TIMING CHARACTERISTICS

UNLESS OTHERWISE NOTED:

 $V_{CC} = +3V$  to  $+5.5V$ ,  $C1-C4 = 0.1\mu F$ ;  $T_A = T_{MIN}$  to  $T_{MAX}$ . Typical values are at  $V_{CC} = 3.3V$ ,  $T_A = +25^\circ C$ 

| SYMBOL  | PARAMETERS  | MIN. | TYP. | MAX. | UNITS      | CONDITIONS  |
|---|---|------|------|------|------------|---|
| <b>ALL MODES</b>  |   |      |      |      |            |   |
| $t_{ENABLE}$  | Enable from Shutdown  |      | 1000 |      | ns         |   |
| $t_{SHUTDOWN}$  | Enable to Shutdown  |      | 1000 |      | ns         |   |
| <b>RS-232, DATA RATE = 250kbps (<math>\overline{SLEW} = 0V</math>), ONE TRANSMITTER SWITCHING</b>   |   |      |      |      |            |   |
|   | Maximum Data Rate   | 250  |      |      | kbps       | $R_L = 3k\Omega$ , $C_L = 1000pF$   |
| $t_{RHL}$ , $t_{RLH}$   | Receiver Propagation Delay  |      | 100  |      | ns         | $C_L = 150pF$ , <a href="#">Figure 7</a>  |
| $ t_{RHL} - t_{RLH} $   | Receiver Propagation Delay Skew                                   |      |      | 100  | ns         |   |
| $t_{DHL}$ , $t_{DLH}$   | Driver Propagation Delay  |      | 1400 |      | ns         | $R_L = 3k\Omega$ , $C_L = 2500pF$ ,<br><a href="#">Figure 8</a>   |
| $ t_{DHL} - t_{DLH} $   | Driver Propagation Delay Skew                                     |      |      | 600  | ns         |   |
| $t_{SHL}$ , $t_{SLH}$   | Transition Region Slew Rate from +3.0V to -3.0V or -3.0V to +3.0V | 6    |      | 30   | V/ $\mu s$ | $V_{CC} = +3.3V$ , $R_L = 3k\Omega$ to $7k\Omega$ ,<br>$C_L = 150pF$ to $2500pF$ ,<br>$T_A = 25^\circ C$ , <a href="#">Figure 8</a> |
| $t_{SHL}$ , $t_{SLH}$   | Transition Region Slew Rate from +3.0V to -3.0V or -3.0V to +3.0V | 4    |      | 30   | V/ $\mu s$ | $V_{CC} = +3.3V$ , $R_L = 3k\Omega$ to $7k\Omega$ ,<br>$C_L = 150pF$ to $2500pF$ ,<br><a href="#">Figure 8</a>                      |
| <b>RS-232, DATA RATE = 1Mbps (<math>\overline{SLEW} = V_{CC}</math>), ONE TRANSMITTER SWITCHING</b> |   |      |      |      |            |   |
|   | Maximum Data Rate   | 1    |      |      | Mbps       | $R_L = 3k\Omega$ , $C_L = 250pF$  |
| $t_{RHL}$ , $t_{RLH}$   | Receiver Propagation Delay  |      | 100  |      | ns         | $C_L = 150pF$ , <a href="#">Figure 7</a>  |
| $ t_{RHL} - t_{RLH} $   | Receiver Propagation Delay Skew                                   |      |      | 100  | ns         |   |
| $t_{DHL}$ , $t_{DLH}$   | Driver Propagation Delay  |      | 300  |      | ns         | $R_L = 3k\Omega$ , $C_L = 1000pF$ ,<br><a href="#">Figure 8</a>   |
| $ t_{DHL} - t_{DLH} $   | Driver Propagation Delay Skew                                     |      |      | 150  | ns         |   |
| $t_{SHL}$ , $t_{SLH}$   | Transition Region Slew Rate from +3.0V to -3.0V or -3.0V to +3.0V | 13   |      | 150  | V/ $\mu s$ | $V_{CC} = +3.3V$ , $R_L = 3k\Omega$ to $7k\Omega$ ,<br>$C_L = 150pF$ to $1000pF$ ,<br><a href="#">Figure 8</a>                      |
| $t_{SHL}$ , $t_{SLH}$   | Transition Region Slew Rate from +3.0V to -3.0V or -3.0V to +3.0V | 24   |      | 150  | V/ $\mu s$ | $V_{CC} = +3.3V$ , $R_L = 3k\Omega$ to $7k\Omega$ ,<br>$C_L = 150pF$ to $1000pF$ ,<br>$T_A = 25^\circ C$ , <a href="#">Figure 8</a> |

**TIMING CHARACTERISTICS (Continued)**

UNLESS OTHERWISE NOTED:

$V_{CC} = +3V$  to  $+5.5V$ ,  $C1-C4 = 0.1\mu F$ ;  $T_A = T_{MIN}$  to  $T_{MAX}$ . Typical values are at  $V_{CC} = 3.3V$ ,  $T_A = +25^\circ C$ .

| SYMBOL  | PARAMETERS                      | MIN. | TYP. | MAX. | UNITS | CONDITIONS  |
|---|---------------------------------|------|------|------|-------|---|
| <b>RS-485/RS-422, DATA RATE = 250kbps (<math>\overline{SLEW} = 0V</math>), ONE TRANSMITTER SWITCHING</b>    |                                 |      |      |      |       |   |
|   | Maximum Data Rate               | 250  |      |      | kbps  | $R_L = 54\Omega$ , $C_L = 50pF$                                 |
| $t_{RPHL}$ , $t_{RPLH}$   | Receiver Propagation Delay      |      | 50   | 150  | ns    | $C_L = 15pF$ , <a href="#">Figure 9</a>                         |
| $ t_{RPHL} - t_{RPLH} $   | Receiver Propagation Delay Skew |      |      | 10   | ns    |   |
| $t_{DPHL}$ , $t_{DPLH}$   | Driver Propagation Delay        |      | 500  | 1000 | ns    | $R_L = 54\Omega$ , $C_L = 50pF$ ,<br><a href="#">Figure 10</a>  |
| $ t_{DPHL} - t_{DPLH} $   | Driver Propagation Delay Skew   |      |      | 100  | ns    |   |
| $t_{DR}$ , $t_{DF}$   | Driver Rise and Fall Time       | 300  | 650  | 1200 | ns    |   |
| <b>RS-485/RS-422, DATA RATE = 20Mbps (<math>\overline{SLEW} = V_{CC}</math>), ONE TRANSMITTER SWITCHING</b> |                                 |      |      |      |       |   |
|   | Maximum Data Rate               | 20   |      |      | Mbps  | $R_L = 54\Omega$ , $C_L = 50pF$                                 |
| $t_{RPHL}$ , $t_{RPLH}$   | Receiver Propagation Delay      |      | 50   | 150  | ns    | $C_L = 15pF$ , <a href="#">Figure 9</a>                         |
| $ t_{RPHL} - t_{RPLH} $   | Receiver Propagation Delay Skew |      |      | 10   | ns    |   |
| $t_{DPHL}$ , $t_{DPLH}$   | Driver Propagation Delay        |      | 30   | 100  | ns    | $R_L = 54\Omega$ , $C_L = 50pF$ ,<br><a href="#">Figure 10</a>  |
| $ t_{DPHL} - t_{DPLH} $   | Driver Propagation Delay Skew   |      |      | 10   | ns    |   |
| $t_{DR}$ , $t_{DF}$   | Driver Rise and Fall Time       |      | 10   | 20   | ns    |   |
| <b>RS-485/RS-422, DATA RATE = 20Mbps (<math>\overline{SLEW} = V_{CC}</math>), ONE TRANSMITTER SWITCHING</b> |                                 |      |      |      |       |   |
| $t_{DZH}$ , $t_{DZL}$   | Driver Output Enable Time       |      |      | 200  | ns    | $R_L = 500\Omega$ , $C_L = 50pF$ ,<br><a href="#">Figure 11</a> |
| $t_{DHZ}$ , $t_{DLZ}$   | Driver Output Disable Time      |      |      | 200  | ns    |   |

## PIN DESCRIPTIONS

| Pin | Name                              | RS-232   | RS-485 Full Duplex       | RS-485 Half Duplex   |
|-----|-----------------------------------|--|--------------------------|----------------------|
| 1   | C1+                               | Charge pump cap 1 positive lead, 0.1 $\mu$ F                                 |                          |                      |
| 2   | VCC                               | Main Supply, $V_{CC} = +3.0V$ to $+5.5V$ , bypass to ground with 1.0 $\mu$ F |                          |                      |
| 3   | C1-                               | Charge pump cap 1 negative lead  |                          |                      |
| 4   | GND                               | Ground   |                          |                      |
| 5   | T1OUT, B/Z                        | Transmitter 1 Output   | Z Driver Neg Output      | B/Z Neg Input/Output |
| 6   | T2OUT, A/Y                        | Transmitter 2 Output   | Y Driver Pos Output      | A/Y Pos Input/Output |
| 7   | R1OUT                             | Receiver 1 Output  | X                        | X                    |
| 8   | R2OUT, RO                         | Receiver 2 Output  | Receiver TTL Output      | Receiver TTL Output  |
| 9   | $\overline{\text{SHDN}}$          | Low power shutdown mode when low   |                          |                      |
| 10  | $\overline{\text{SLEW}}$          | Data rate limited to 250kbps when low  |                          |                      |
| 11  | $\overline{\text{RS-485/RS-232}}$ | 0  | 1                        | 1                    |
| 12  | $\overline{\text{HALF/FULL}}$     | X  | 0                        | 1                    |
| 13  | R2IN, A                           | Receiver 2 Input   | A Pos Receiver Input     | X                    |
| 14  | R1IN, B                           | Receiver 1 Input   | B Neg Receiver Input     | X                    |
| 15  | T2IN, DE                          | Transmitter 2 Input  | Driver enabled when high |                      |
| 16  | T1IN, DI                          | Transmitter 1 Input  | Driver TTL Input         |                      |
| 17  | V-                                | Charge pump negative supply, 0.1 $\mu$ F from ground                         |                          |                      |
| 18  | C2-                               | Charge pump cap 2 negative lead  |                          |                      |
| 19  | C2+                               | Charge pump cap 2 positive lead, 0.1 $\mu$ F                                 |                          |                      |
| 20  | V+                                | Charge pump positive supply, 0.1 $\mu$ F to ground                           |                          |                      |

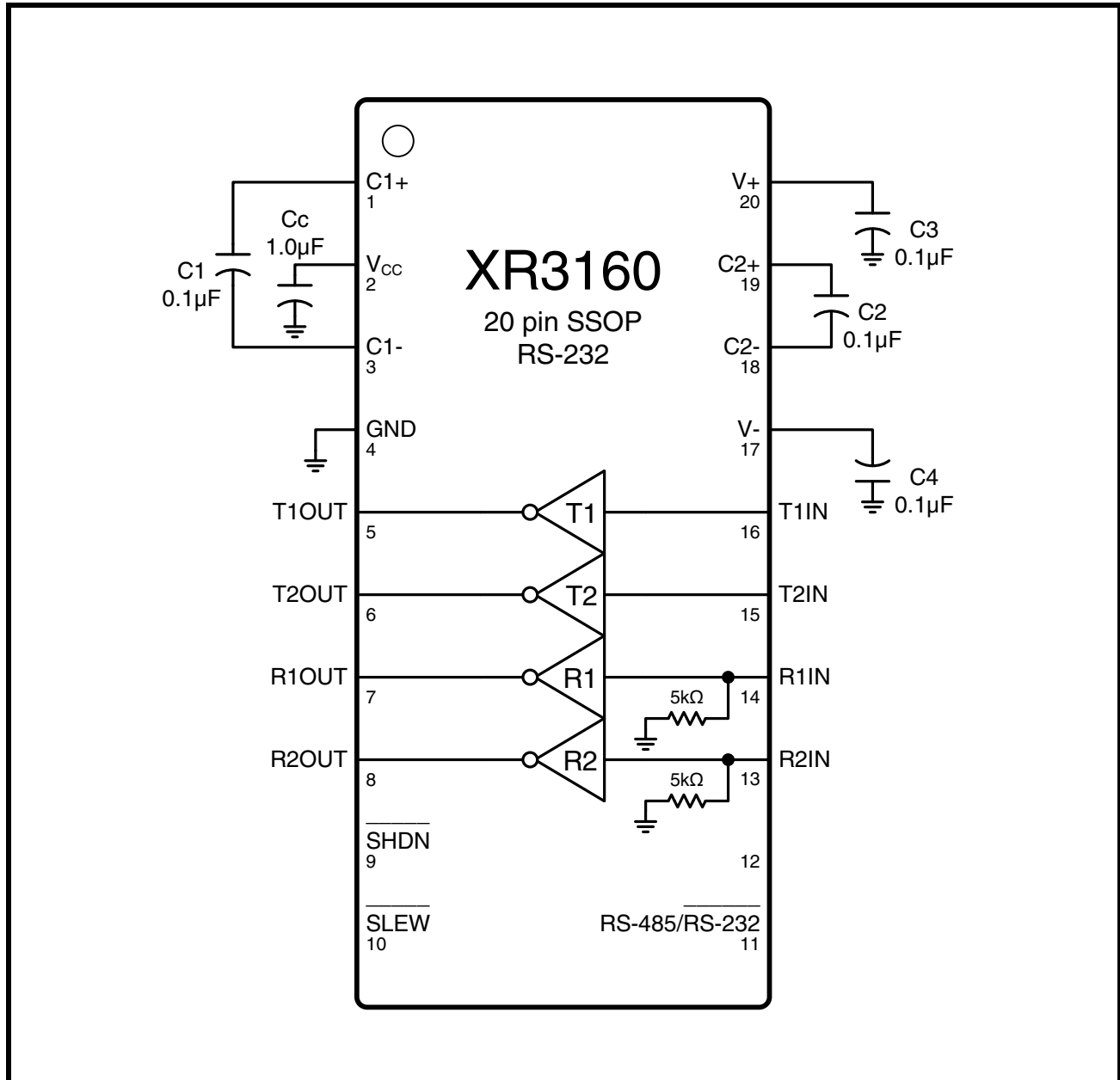


**SUGGESTED DB9 CONNECTOR PINOUT**

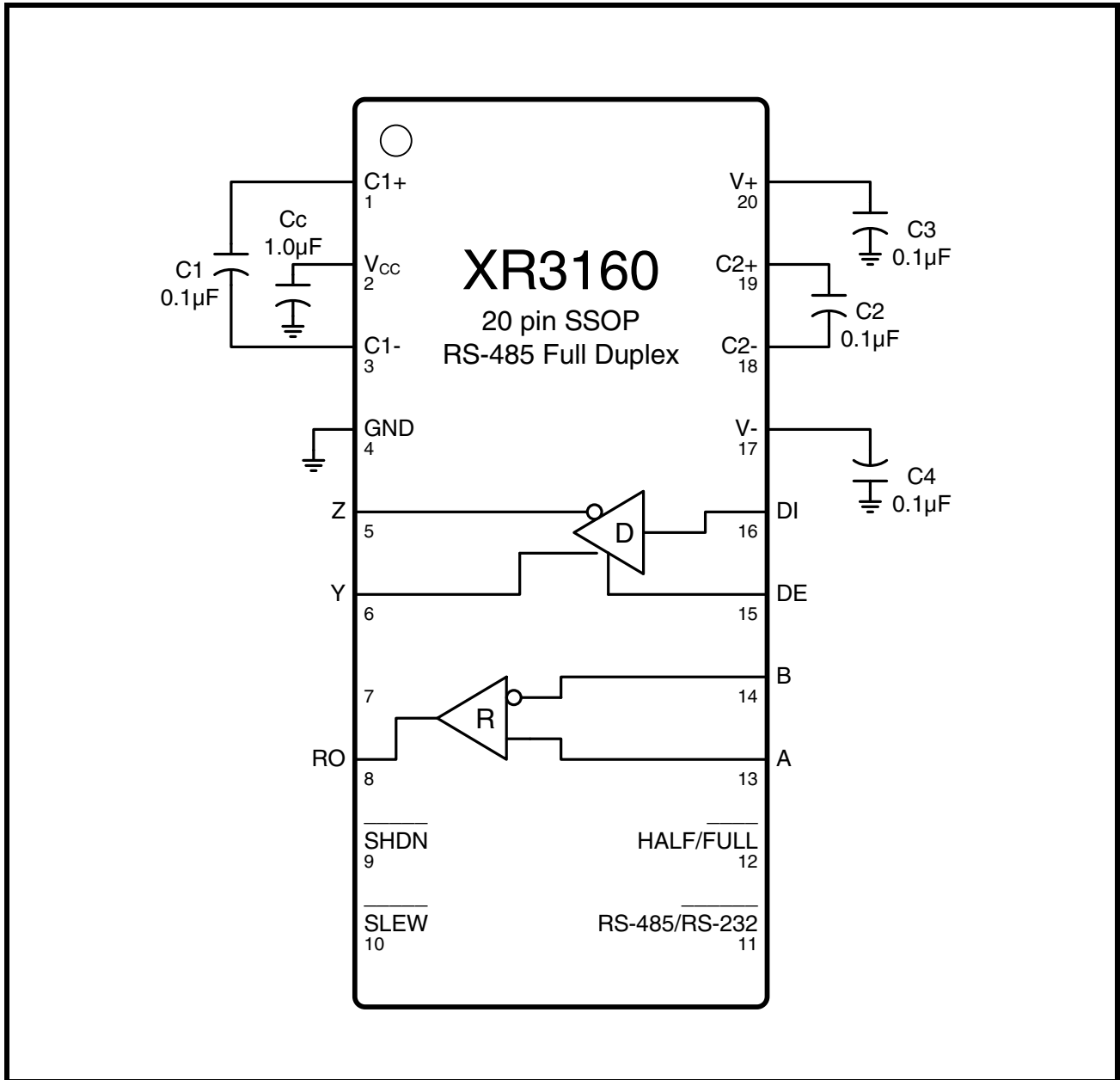
| <b>DB9<br/>Pin</b> | <b>RS-232</b> | <b>RS-485<br/>Full Duplex</b> | <b>RS-485<br/>Half Duplex</b> |
|--------------------|---------------|-------------------------------|-------------------------------|
| 1                  |               |                               |                               |
| 2                  | RXD           | RX+                           |                               |
| 3                  | TXD           | TX-                           | Data-                         |
| 4                  |               |                               |                               |
| 5                  | Ground        |                               |                               |
| 6                  |               |                               |                               |
| 7                  | RTS           | TX+                           | Data+                         |
| 8                  | CTS           | RX-                           |                               |
| 9                  |               |                               |                               |

BLOCK DIAGRAMS

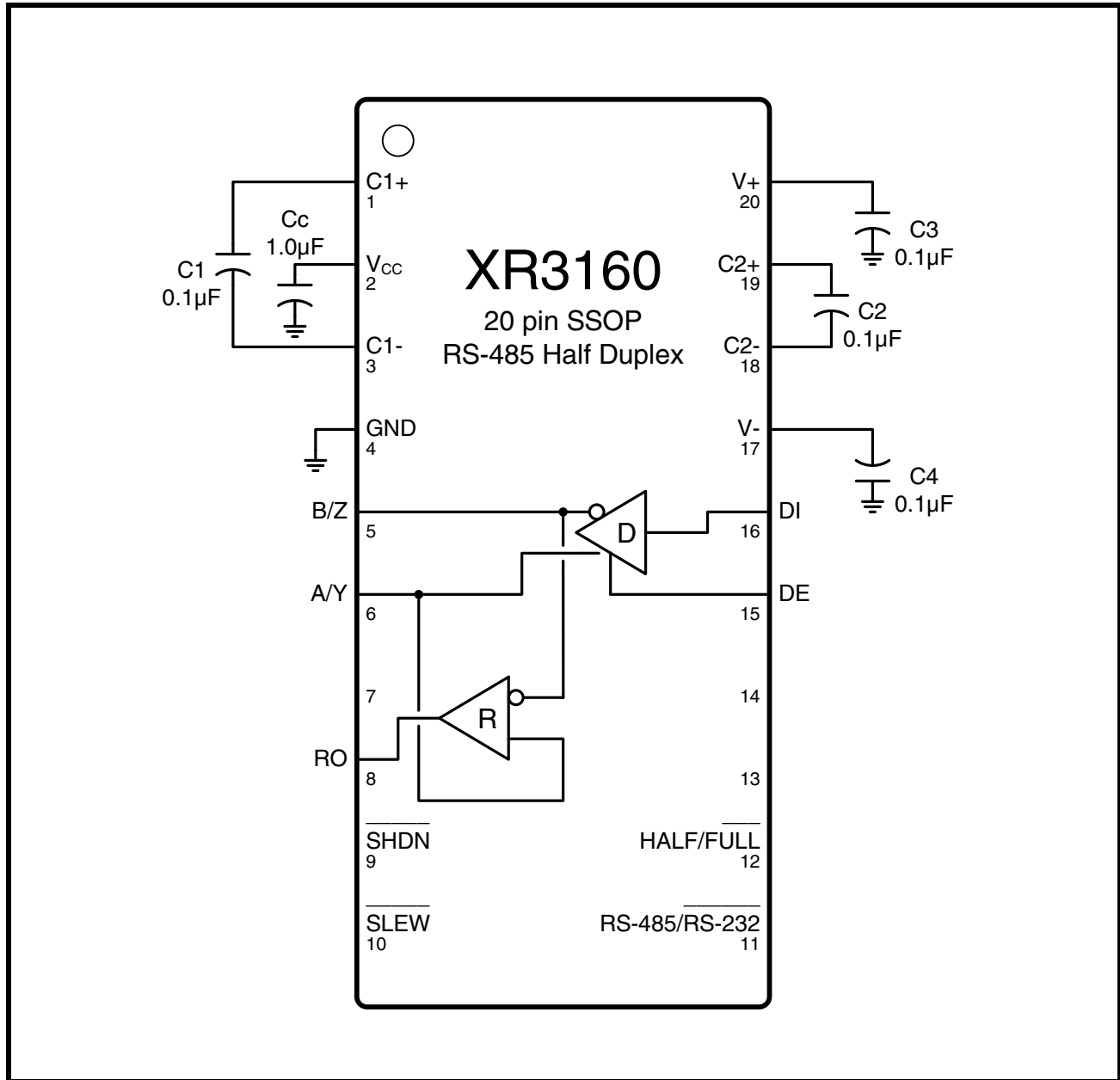
FIGURE 1. RS-232 MODE



**FIGURE 2. RS-485/422 FULL DUPLEX MODE**

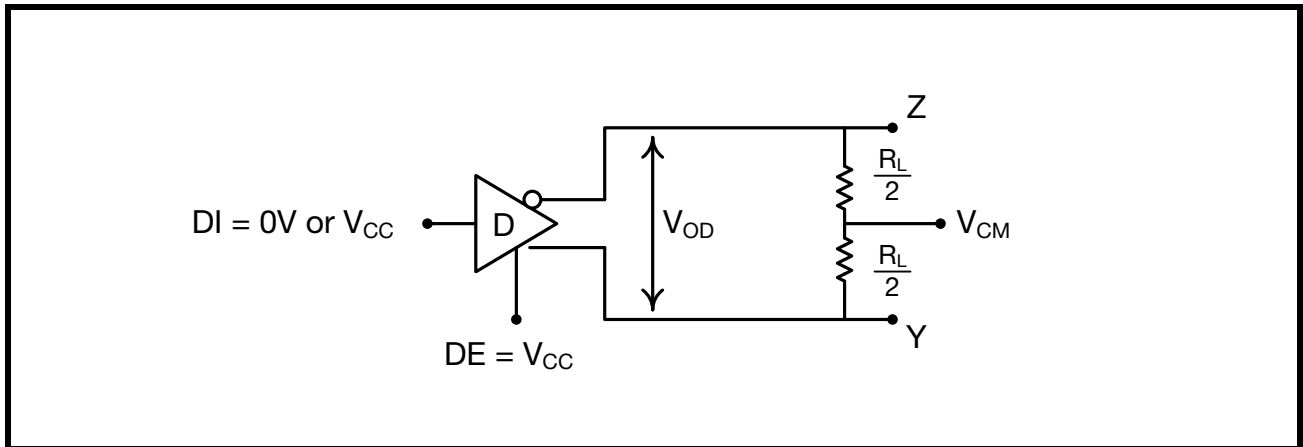


**FIGURE 3. RS-485 HALF DUPLEX MODE**

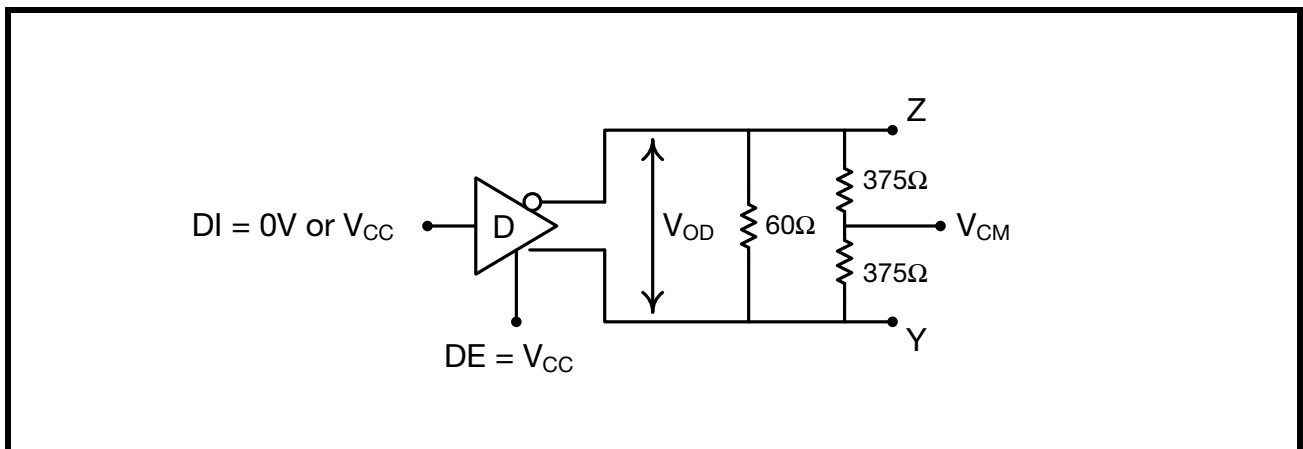


**TEST CIRCUITS**

**FIGURE 4. RS-485/422 DIFFERENTIAL DRIVER OUTPUT VOLTAGE**



**FIGURE 5. RS-485/422 DIFFERENTIAL DRIVER OUTPUT VOLTAGE OVER COMMON MODE**



**FIGURE 6. RS-485/422 DRIVER OUTPUT SHORT CIRCUIT CURRENT**

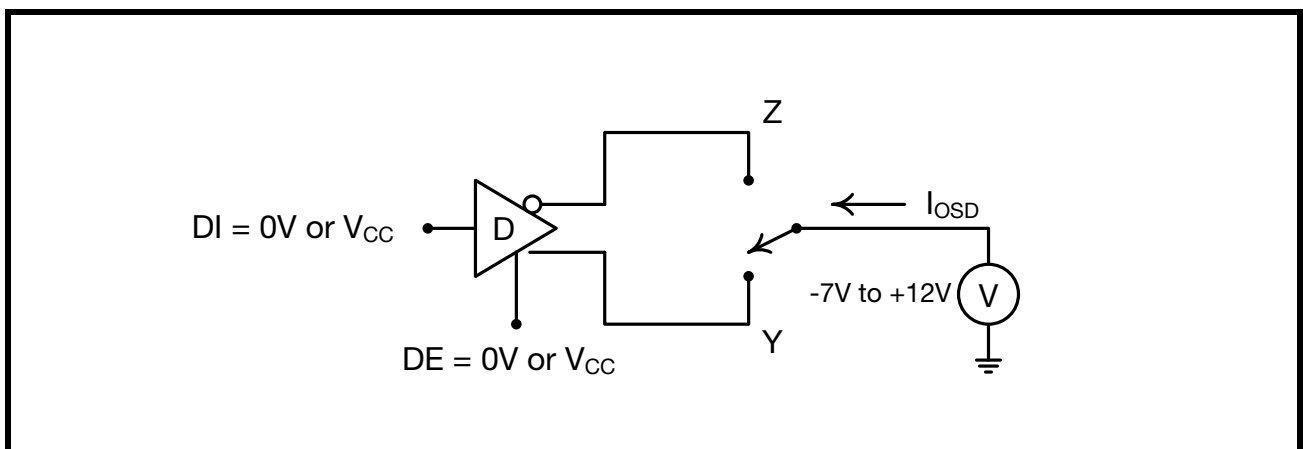
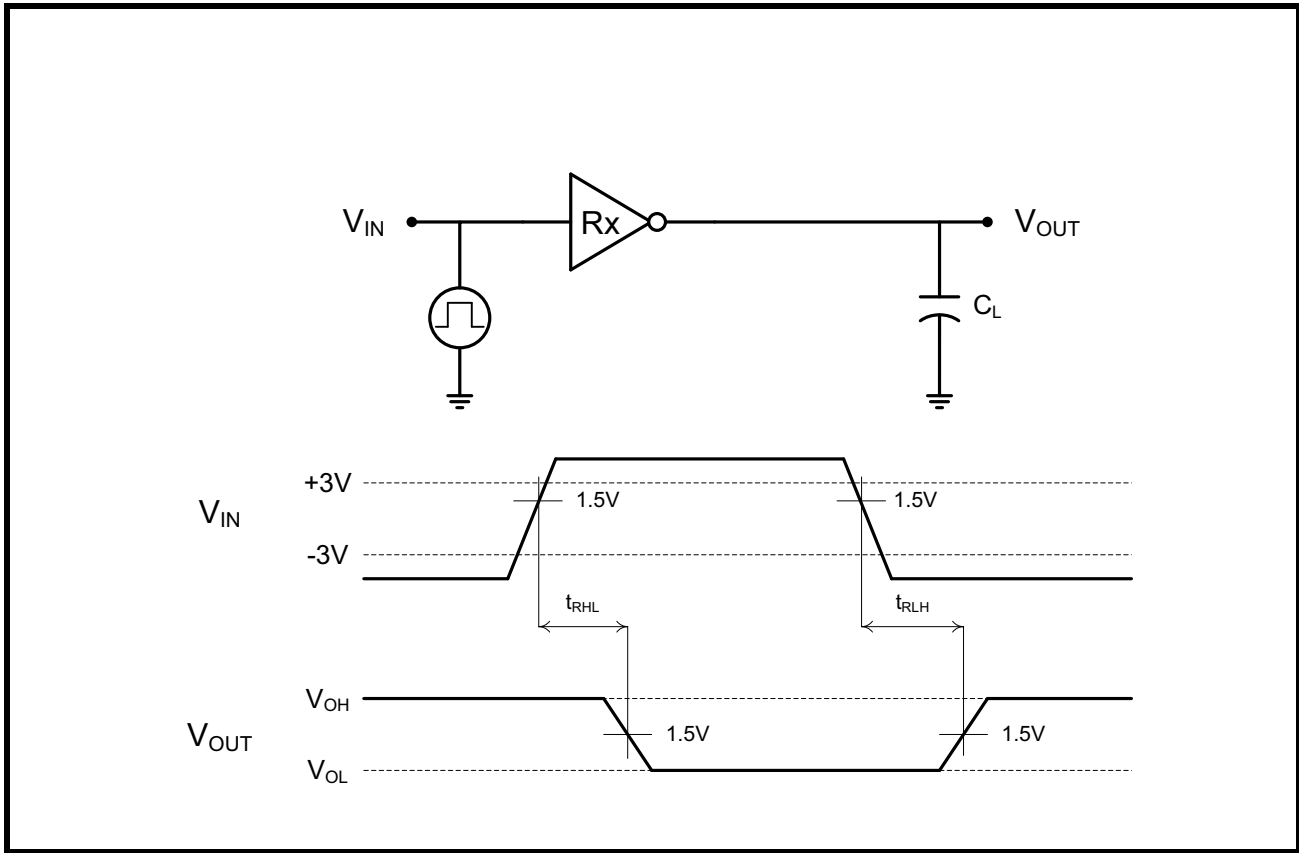


FIGURE 7. RS-232 RECEIVER PROPAGATION DELAY



**FIGURE 8. RS-232 DRIVER PROPAGATION DELAY**

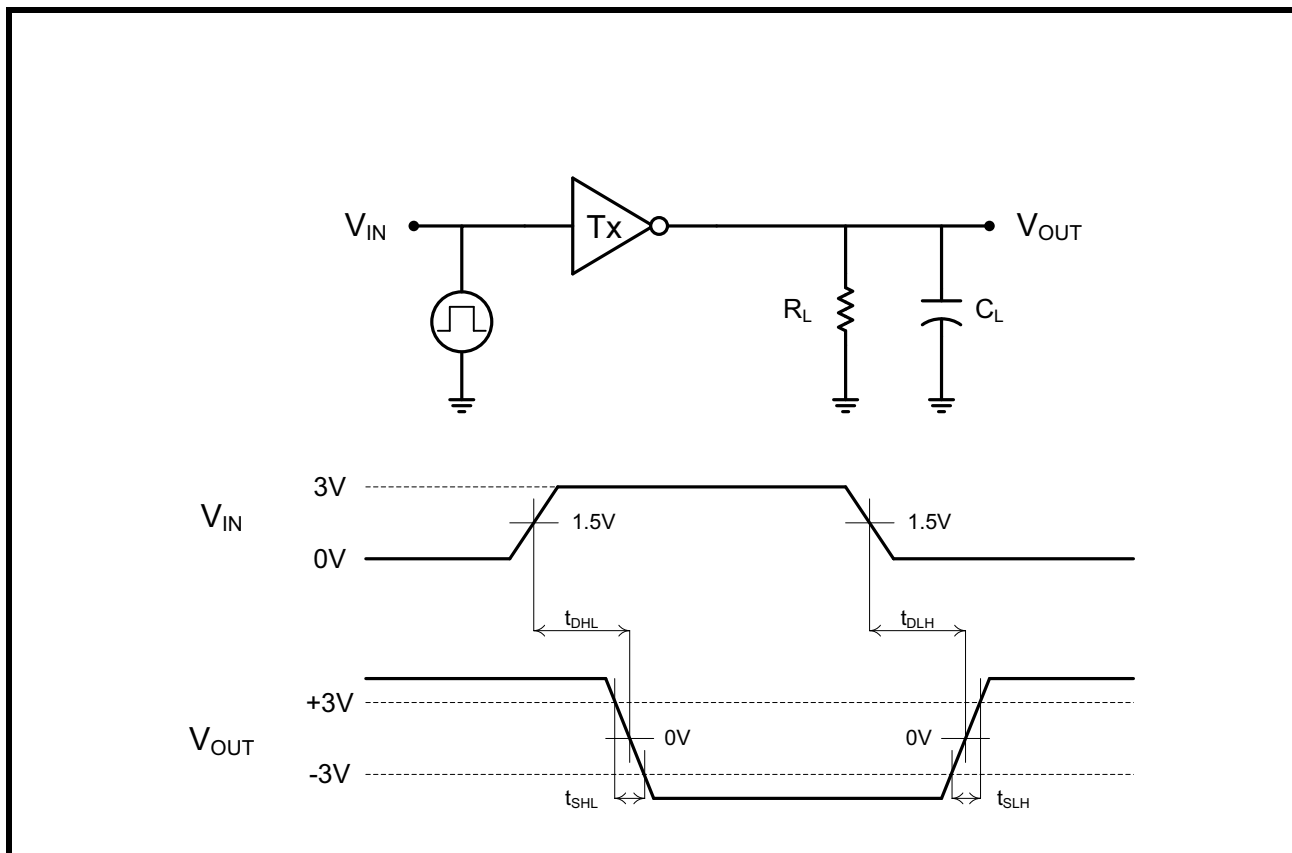
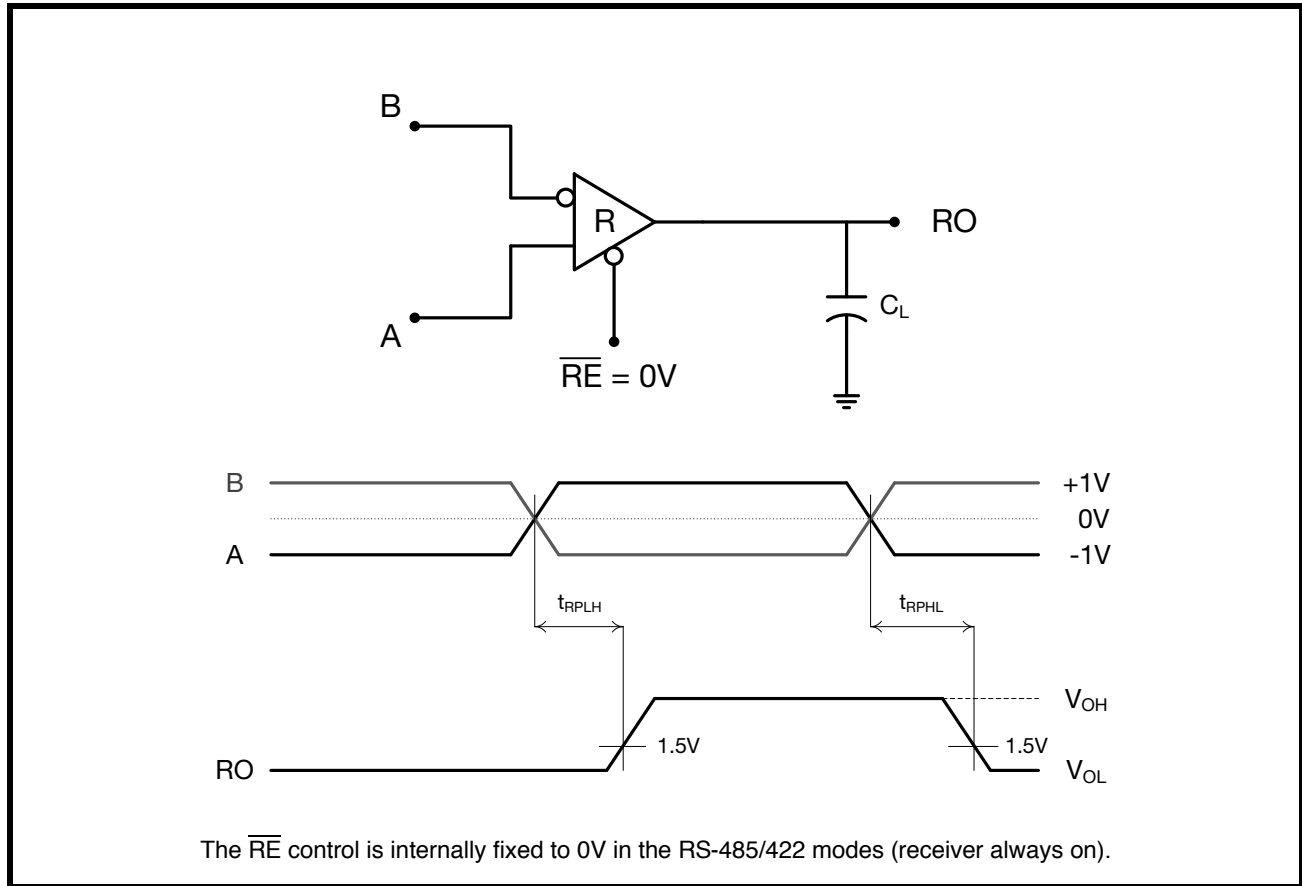


FIGURE 9. RS-485/422 RECEIVER PROPAGATION DELAY





**FIGURE 10. RS-485/422 DRIVER PROPAGATION DELAY AND RISE/FALL TIMES**

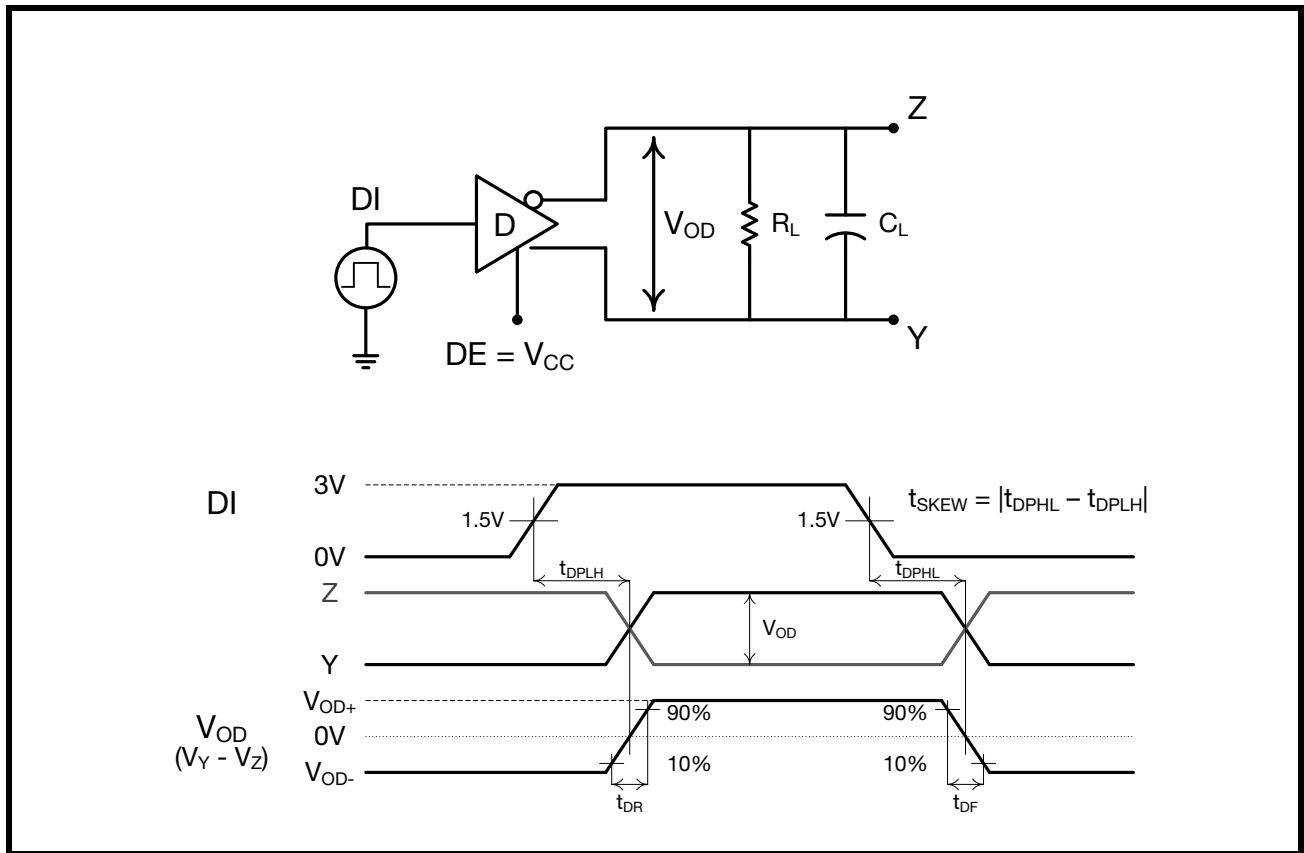
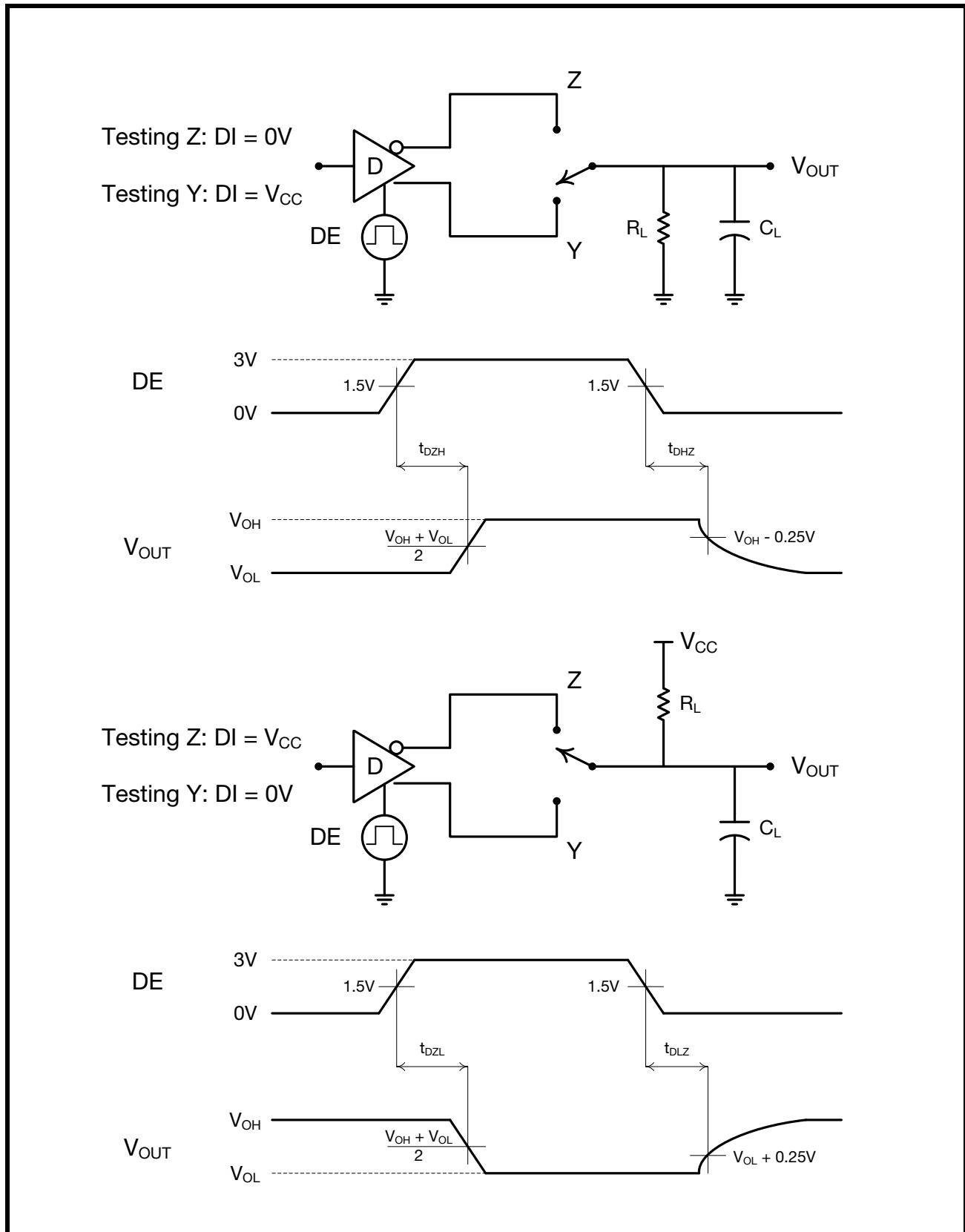


FIGURE 11. RS-485/422 DRIVER OUTPUT ENABLE/DISABLE TIMES



## **PRODUCT SUMMARY**

The XR3160 is an advanced multiprotocol transceiver supporting RS-232, RS-485, and RS-422 serial standards. Full operation requires only four external charge pump capacitors.

### **ENHANCED FAILSAFE**

The enhanced failsafe feature of the XR3160 guarantees a logic-high receiver output when the receiver inputs are open, shorted, or terminated but idle/undriven. The enhanced failsafe interprets 0V differential as a logic high with a minimum 50mV noise margin, while maintaining compliance with the EIA/TIA-485 standard of  $\pm 200\text{mV}$ . No external biasing resistors are required, further easing the usage of multiple protocols over a single connector.

### **$\pm 15\text{kV}$ ESD PROTECTION**

ESD protection structures are incorporated on all pins to protect against electrostatic discharges encountered during handling and assembly. The bus pins (driver outputs and receiver inputs) have extra protection structures, which have been tested up to  $\pm 15\text{kV}$  without damage. These structures withstand high ESD in all states: normal operation, in shutdown, and when powered off.

ESD protection is tested in various ways. Exar uses the following methods to qualify the protection structures designed into XR3160:

- $\pm 8\text{kV}$  using IEC 61000-4-2 Contact Discharge
- $\pm 15\text{kV}$  using IEC 61000-4-2 Airgap Discharge
- $\pm 15\text{kV}$  using the Human Body Model (HBM)

The IEC 61000-4-2 standard is more rigorous than HBM, resulting in lower voltage levels compared with HBM for the same level of ESD protection. Because IEC 61000-4-2 specifies a lower series resistance, the peak current is higher than HBM. The XR3160 has passed both HBM and IEC 61000-4-2 testing without damage.

## TRUTH TABLES

TABLE 1: RS-232 TX TRUTH TABLE

| INPUTS                   |                                    |                  | OUTPUTS                |
|--------------------------|------------------------------------|------------------|------------------------|
| $\overline{\text{SHDN}}$ | RS-485/ $\overline{\text{RS-232}}$ | DI/T1IN, DE/T2IN | Z(B)/T1OUT, Y(A)/T2OUT |
| 0                        | X                                  | X                | 1/8th unit load        |
| 1                        | 0                                  | 0                | 1                      |
| 1                        | 0                                  | 1                | 0                      |
| 1                        | 1                                  | X                | RS-485 Mode            |

TABLE 2: RS-232 RX TRUTH TABLE

| INPUTS                   |                                    |                | OUTPUTS                                  |
|--------------------------|------------------------------------|----------------|--|
| $\overline{\text{SHDN}}$ | RS-485/ $\overline{\text{RS-232}}$ | B/R1IN, A/R2IN | R1OUT, RO/R2OUT                          |
| X                        | 0                                  | 0              | 1  |
| X                        | 0                                  | 1              | 0  |
| X                        | 0                                  | Inputs open    | 1  |
| X                        | 1                                  | X              | R1OUT High-Z,<br>RO/R2OUT in RS-485 Mode |

TABLE 3: RS-485/422 TX TRUTH TABLE

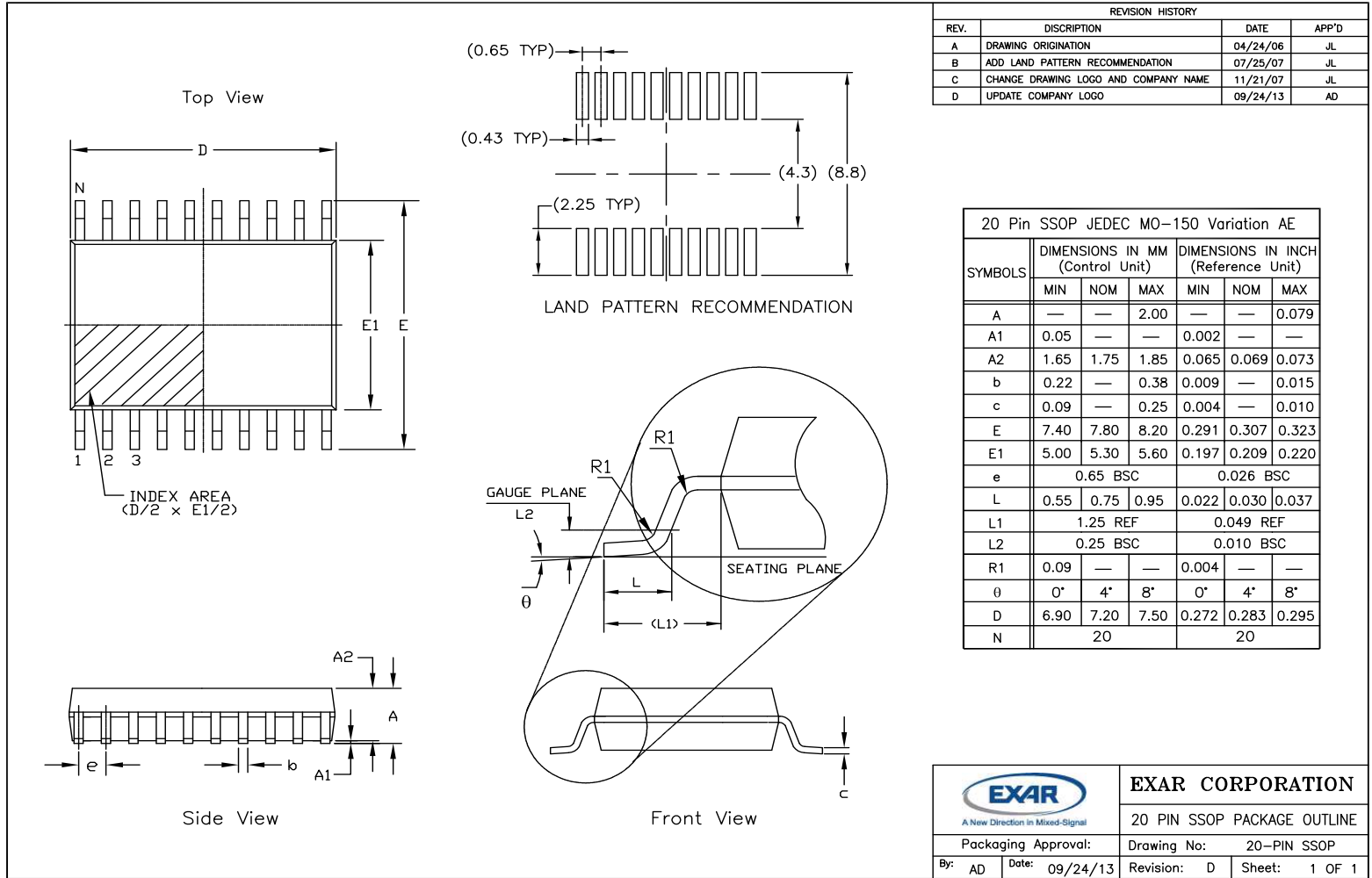
| INPUTS                   |                                    |         |         | OUTPUTS         |                 |
|--------------------------|------------------------------------|---------|---------|-----------------|-----------------|
| $\overline{\text{SHDN}}$ | RS-485/ $\overline{\text{RS-232}}$ | DE/T2IN | DI/T1IN | Z(B)/T1OUT      | Y(A)/T2OUT      |
| 0                        | X                                  | X       | X       | 1/8th unit load | 1/8th unit load |
| 1                        | 1                                  | 0       | X       | 1/8th unit load | 1/8th unit load |
| 1                        | 1                                  | 1       | 0       | 1               | 0               |
| 1                        | 1                                  | 1       | 1       | 0               | 1               |
| X                        | 0                                  | X       | X       | RS-232 Mode     |                 |

TABLE 4: RS-485/422 RX TRUTH TABLE

| INPUTS                             |                          |                                |                      |                      | OUTPUT      |
|------------------------------------|--------------------------|--------------------------------|----------------------|----------------------|-------------|
| RS-485/ $\overline{\text{RS-232}}$ | $\overline{\text{SHDN}}$ | HALF/ $\overline{\text{FULL}}$ | (A-B)                | (Y-Z)                | RO/R2OUT    |
| 1                                  | 0                        | X                              | X                    | X                    | High-Z      |
| 1                                  | 1                        | 0                              | $\geq -50\text{mV}$  | X                    | 1           |
| 1                                  | 1                        | 0                              | $\leq -200\text{mV}$ | X                    | 0           |
| 1                                  | 1                        | 0                              | Floating             | X                    | 1           |
| 1                                  | 1                        | 1                              | X                    | $\geq -50\text{mV}$  | 1           |
| 1                                  | 1                        | 1                              | X                    | $\leq -200\text{mV}$ | 0           |
| 1                                  | 1                        | 1                              | X                    | Floating             | 1           |
| 0                                  | X                        | X                              | X                    | X                    | RS-232 Mode |

\* Y and Z correspond to pins 6 and 5. A and B correspond to pins 13 and 14.

FIGURE 12. SSOP 20



## REVISION HISTORY

| DATE      | REVISION | DESCRIPTION        |
|-----------|----------|--------------------|
| Sept 2013 | 1.0.0    | Production Release |

### NOTICE

EXAR Corporation reserves the right to make changes to the products contained in this publication in order to improve design, performance or reliability. EXAR Corporation assumes no responsibility for the use of any circuits described herein, conveys no license under any patent or other right, and makes no representation that the circuits are free of patent infringement. Charts and schedules contained here in are only for illustration purposes and may vary depending upon a user's specific application. While the information in this publication has been carefully checked; no responsibility, however, is assumed for inaccuracies.

EXAR Corporation does not recommend the use of any of its products in life support applications where the failure or malfunction of the product can reasonably be expected to cause failure of the life support system or to significantly affect its safety or effectiveness. Products are not authorized for use in such applications unless EXAR Corporation receives, in writing, assurances to its satisfaction that: (a) the risk of injury or damage has been minimized; (b) the user assumes all such risks; (c) potential liability of EXAR Corporation is adequately protected under the circumstances.

Copyright 2013 EXAR Corporation

Datasheet Sept 2013.

For technical support please email Exar's Serial Technical Support group at: [serialtechsupport@exar.com](mailto:serialtechsupport@exar.com).

Reproduction, in part or whole, without the prior written consent of EXAR Corporation is prohibited.