



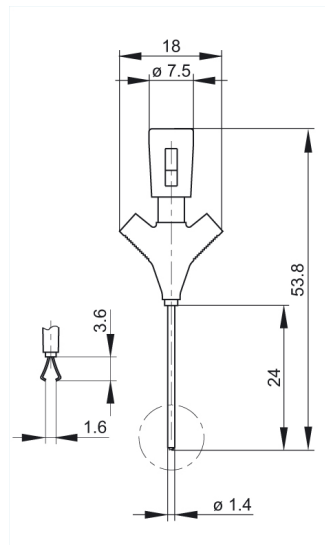
## MICRO-KLEPS schwarz/black

Measuring and Testing Equipment:Clamp-type test probes:0.64 mm system

### Product description

Description	Miniature clamp-type test probe with rotating grip jaws (SMD technology). The insulated shaft can be bent up to 35°. Suitable for very thin wires and densely packed contact points (1.27 mm IC spacing pitch). Connects with MKL... and MAL...
Type	MICRO-KLEPS schwarz/black
Order No.	973 972-100
System	0,64 mm system
Clamping range	2 mm diameter
Clamp type	rotating grip jaws
Housing Color	black
Other standard types	red color, Order-No. 973 972-101

### Drawing



### Technical data

Type of contact	pin
Type of termination	2 x 0,64 mm diameter pin
Rated voltage	DC 60 V
Rated current	2 A
Contact resistance	10 mOhm

### Material

Contact material	spring steel
Contact surface material	nickel-plated
Housing material	PBT

### Environmental conditions

Temperature range	-25 °C to +100 °C
-------------------	-------------------

### Inflammability class

