

FEATURES

- Features a reliable locking effect
- Multiple re-use
- Gentle for contact surface
- Corrosion & heat resistant
- Assemblies for “D” connectors in two sizes – female (8mm thread length) & female (13mm thread length)
- Thread size is 4-40 UNC

RS PRO Screwlock D Connector

RS Stock No.: 453-892



RS Professionally Approved Products bring to you professional quality parts across all product categories. Our product range has been tested by engineers and provides a comparable quality to the leading brands without paying a premium price.

Product Description

RS PRO D connector screwlock assemblies are a reliable, useful solution in any situation that involves a secure fixation. Our range of Nickel Plated Screwlock Assemblies offer a guarantee for long lasting retention of preloaded force in the threaded connection, even when put under high dynamic stress. These RS PRO screwlock assemblies are types of accessories which can be used with D-sub hoods and backshells. The assemblies consist of a threaded screw, several nuts and washers. When fixed together they provide a secure locking mechanism.

[453-886](#) - Female NiPt D screwlock assembly, 8mm

[453-886A](#) - Female NiPt D screwlock assembly, 8mm

[453-892](#) - Female NiPt D screwlock assembly, 13mm

[453-892A](#) - Female NiPt D screwlock assembly, 13mm

General Specifications

Accessory Type	Screwlock
For Use With	D Connector
Gender	Female
Finish	Nickel
Thread Size	#4-40 UNC
Application	Typically used in situations that have the need for an effective, tight lock, Soft coated surfaces & slotted holes, Preventing mechanical stress, provide EMI/RFI shielding and protection from the elements, Industrial, commercial and domestic applications and environments

Mechanical Specifications

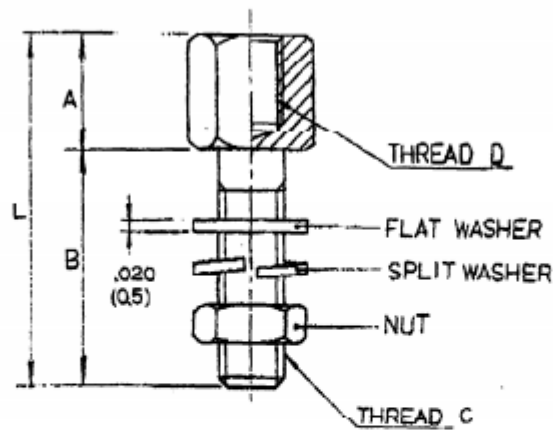
Screw Length	13mm
---------------------	------

Approvals

Compliance/Certifications	2011/65/EU and 2015/863
---------------------------	-------------------------



Assemblies for 'D' connectors in two sizes: female (8mm thread length) and female (13mm thread length) Thread size is 4-40 UNC



L ±0.20 (±0.5)	A ±.020 (±0.5)	B ±.020 (±0.5)	H	THREAD C	THREAD D
.50 (12.7)	.189 (4.8) ^{2r}	.311 (7.9)	.189 (4.8)	#4-40UNC-2A	#4-40UNC-2B
.70 (17.8)	.189 (4.8) ^{2r}	.512 (13.0)	.189 (4.8)	#4-40UNC-2A	#4-40UNC-2B