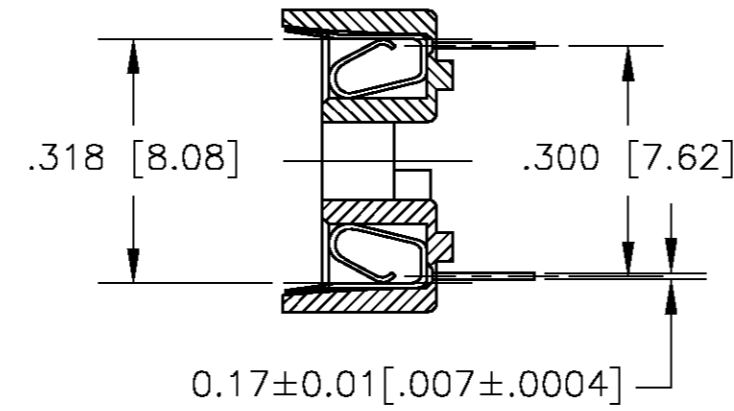
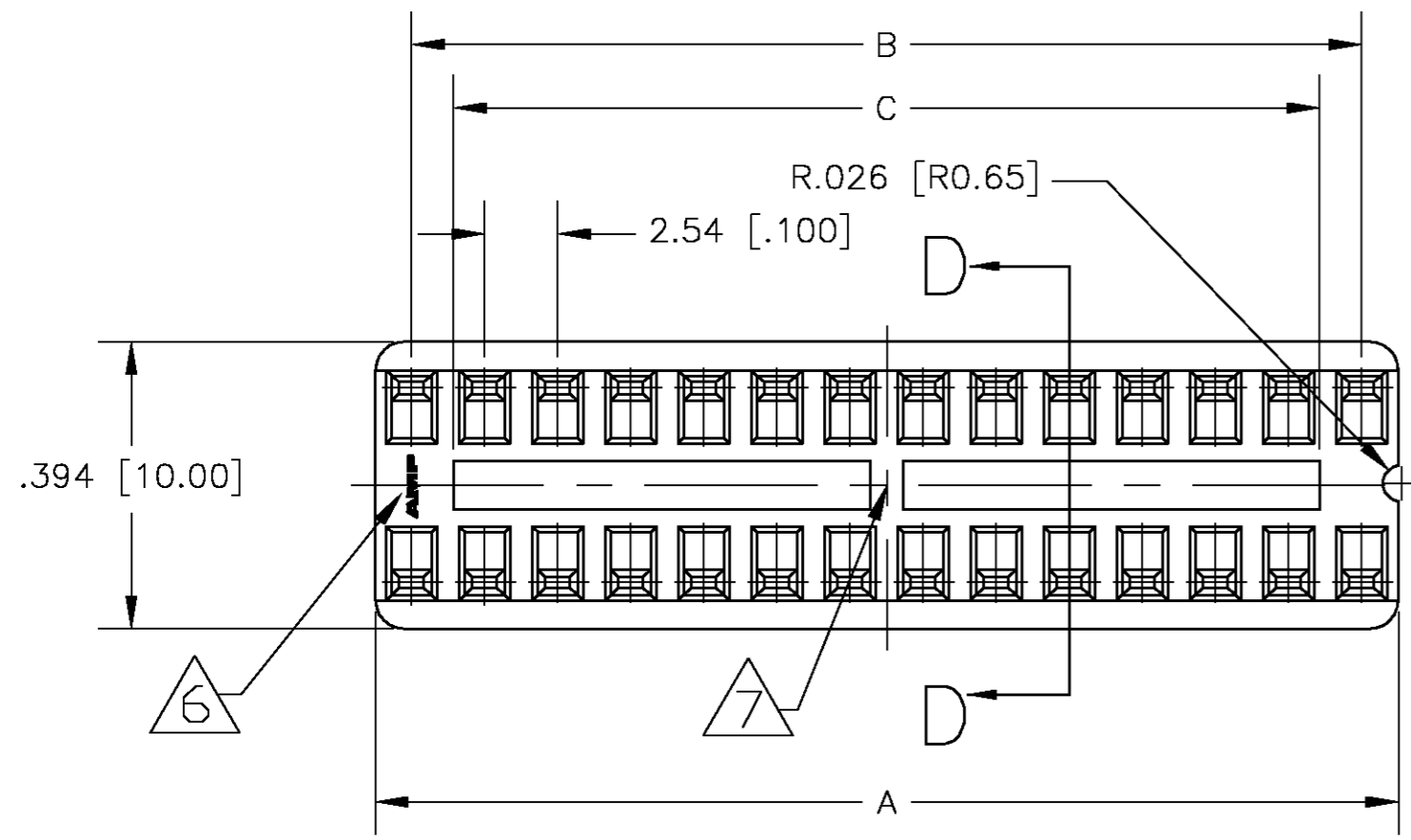


THIS DRAWING IS UNPUBLISHED. RELEASED FOR PUBLICATION
 © COPYRIGHT BY TYCO ELECTRONICS CORPORATION. ALL RIGHTS RESERVED.

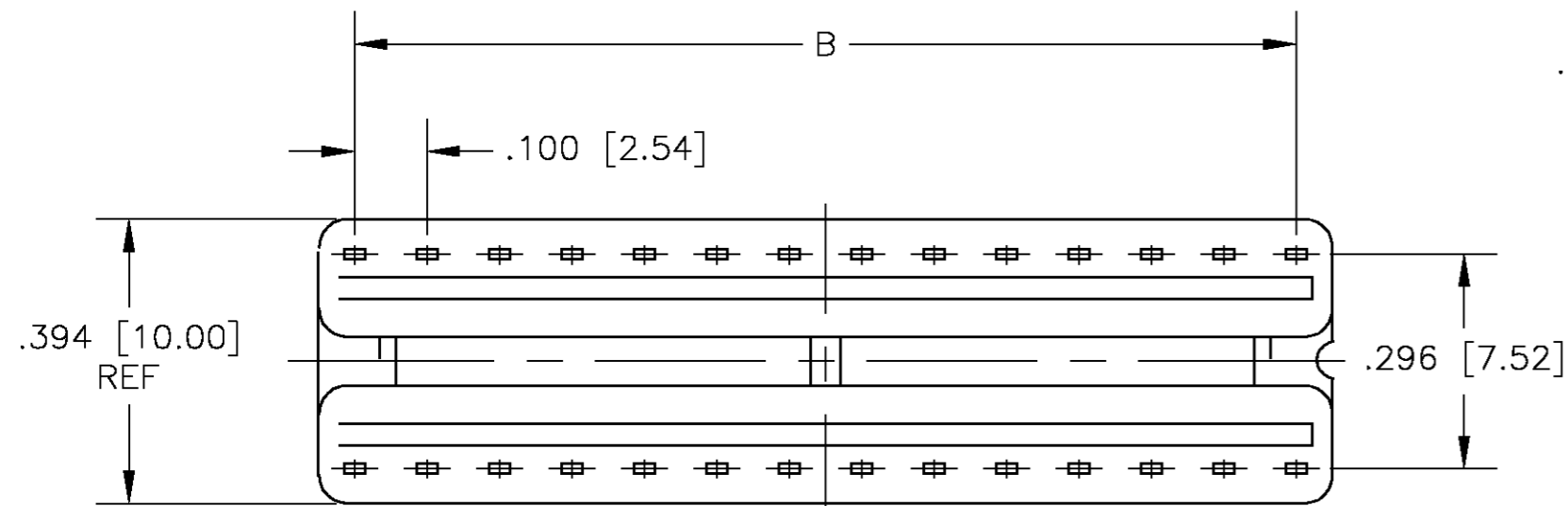
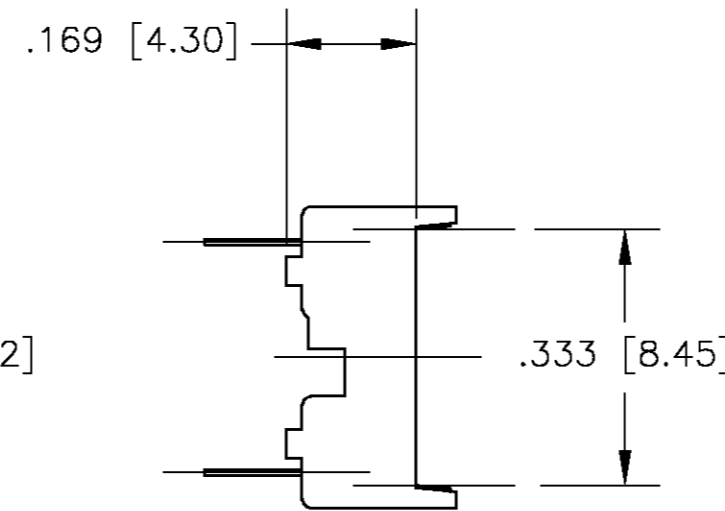
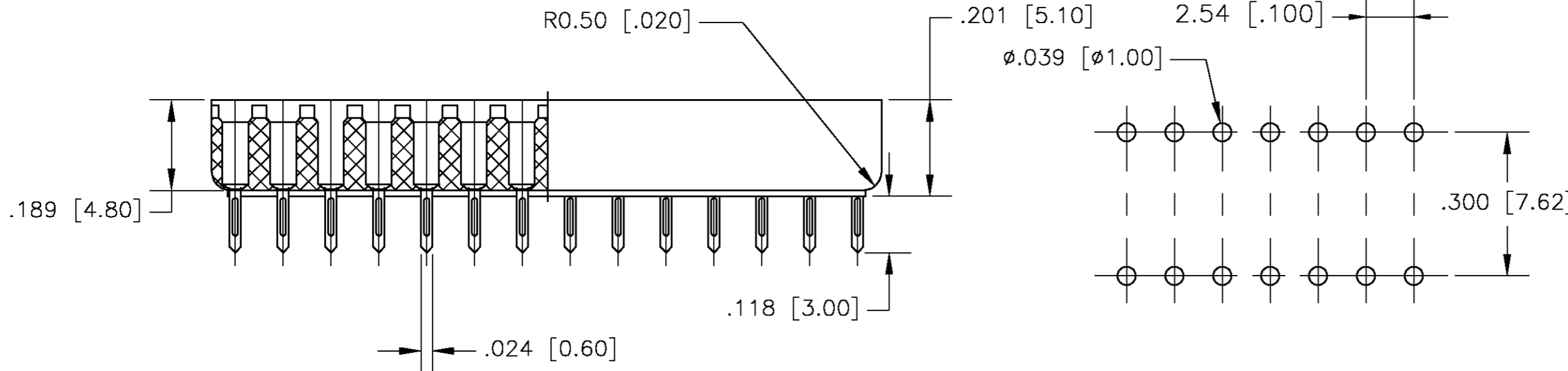
LOC		DIST		REVISIONS			
AD	00	P	LTR	DESCRIPTION	DATE	DWN	APVD
		J		EC 063C 0323 04	06SEP2004	BSV	KW

NOTE:--

- 1 MATERIAL:
HOUSING: 30% GLASS FILLED PBT, THERMOPLASTIC, BLACK.
CONTACT: PHOS BRONZE
- 2 FINISH: CONTACT PLATING: TIN-LEAD (60u INCHES MIN.)
SOLDERABILITY :95% COVERAGE MIN.;
TEST TEMPERATURE=230°C±5°C
TEST TIME = 5±5 SECONDS.
- 3. MECHANICAL SPECS:
DURABILITY: 50 CYCLES MIN.
INSERTION FORCE:300 GRAMS MAX.
WITHDRAWAL FORCE: 20 GRAMS MIN.
CONTACT RETENTION: 500 GRAMS MIN.
ACCEPTS: 0.20-0.30 [.008-.012] LEADS
- 4. ELECTRICAL SPECS:
VOLTAGE RATING: 250V AC,DC
CONTACT RESISTANCE: 20 MILLOHMS MAX.
CURRENT RATING: 1 AMPERE AC,DC
INSULATION RESISTANCE: 1000 MEGOHMS MIN.
DIELECTRIC WITHSTANDING VOLTAGE: AC 1000 V MIN.
OPERATING TEMPERATURE: -40°C TO +105°C
- 6 AMP LOGO
- 7 LADDER PRESENT FOR 24, 28 & 32 POSITION SOCKETS.
- 8 FINISH: CONTACT PLATING TIN (LEAD FREE); 60 UIN MIN. OVER 30 UIN Ni
SOLDERABILITY :95% COVERAGE MIN.;
TEST TEMPERATURE=260°±5°C;
TEST TIME = 5±5 SECONDS.



SECTION D-D



FINISH	POS	A ±0.20 [.008]	B±0.10 [.004]	C±0.15 [.004]	PART NO.
△6	6	7.62 [.300]	5.08 [.200]	2.10 [.083]	390261-1
△8	8	10.16 [.400]	7.62 [.300]	4.76 [.187]	390261-2
△14	14	17.78 [.700]	15.24 [.600]	12.38 [.487]	390261-3
△16	16	20.32 [.800]	17.78 [.700]	14.92 [.587]	390261-4
△18	18	22.86 [.900]	20.32 [.800]	17.46 [.687]	390261-5
△20	20	25.40 [1.000]	22.86 [.900]	20.00 [.787]	390261-6
△22	22	27.94 [1.100]	25.40 [1.000]	22.54 [.887]	390261-7
△24	24	30.48 [1.200]	27.94 [1.100]	25.10 [.988]	390261-8
△28	28	35.56 [1.400]	33.02 [1.300]	30.12 [1.185]	390261-9
△32	32	40.64 [1.600]	38.10 [1.500]	35.20 [1.386]	1-390261-0
△6	6	7.62 [.300]	5.08 [.200]	2.10 [.083]	1-390261-1
△8	8	10.16 [.400]	7.62 [.300]	4.76 [.187]	1-390261-2
△14	14	17.78 [.700]	15.24 [.600]	12.38 [.487]	1-390261-3
△16	16	20.32 [.800]	17.78 [.700]	14.92 [.587]	1-390261-4
△18	18	22.86 [.900]	20.32 [.800]	17.46 [.687]	1-390261-5
△20	20	25.40 [1.000]	22.86 [.900]	20.00 [.787]	1-390261-6
△22	22	27.94 [1.100]	25.40 [1.000]	22.54 [.887]	1-390261-7
△24	24	30.48 [1.200]	27.94 [1.100]	25.10 [.988]	1-390261-8
△28	28	35.56 [1.400]	33.02 [1.300]	30.12 [1.185]	1-390261-9
△32	32	40.64 [1.600]	38.10 [1.500]	35.20 [1.386]	2-390261-0

THIS DRAWING IS A CONTROLLED DOCUMENT.

DIMENSIONS: INCHES	TOLERANCES UNLESS OTHERWISE SPECIFIED: 0 PLC ± - 1 PLC ± - 2 PLC ± 0.2 [.008] 3 PLC ± - 4 PLC ± - ANGLES ± -	DWN: BSV CHK: - APVD: -	06SEP2004	 Tyco Electronics Corporation Harrisburg, Pa 17105-3808
MATERIAL: △1	FINISH: △2-△8	PRODUCT SPEC: - APPLICATION SPEC: - WEIGHT: -	NAME: - SIZE: A2 CAGE CODE: 00779 DRAWING NO: C=390261	
CUSTOMER DRAWING		SCALE: 4:1		RESTRICTED TO: -