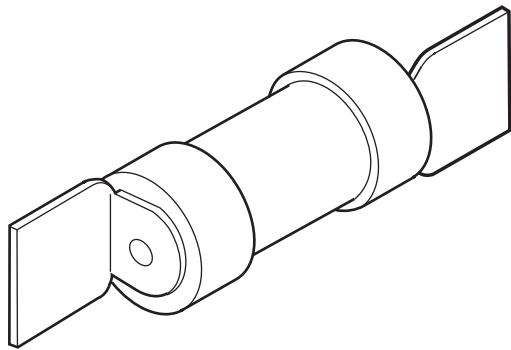


Industrial HRC Fuse

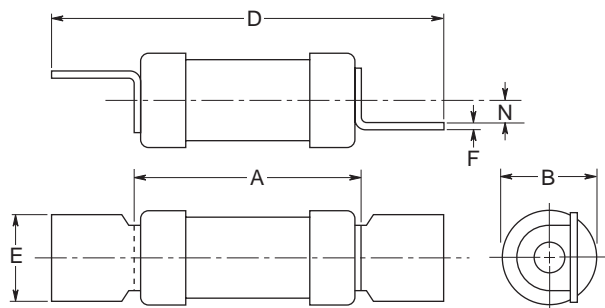
13.8 x 67.3mm, BS88: Part 6, IEC 269-1

Offset Blade Tags

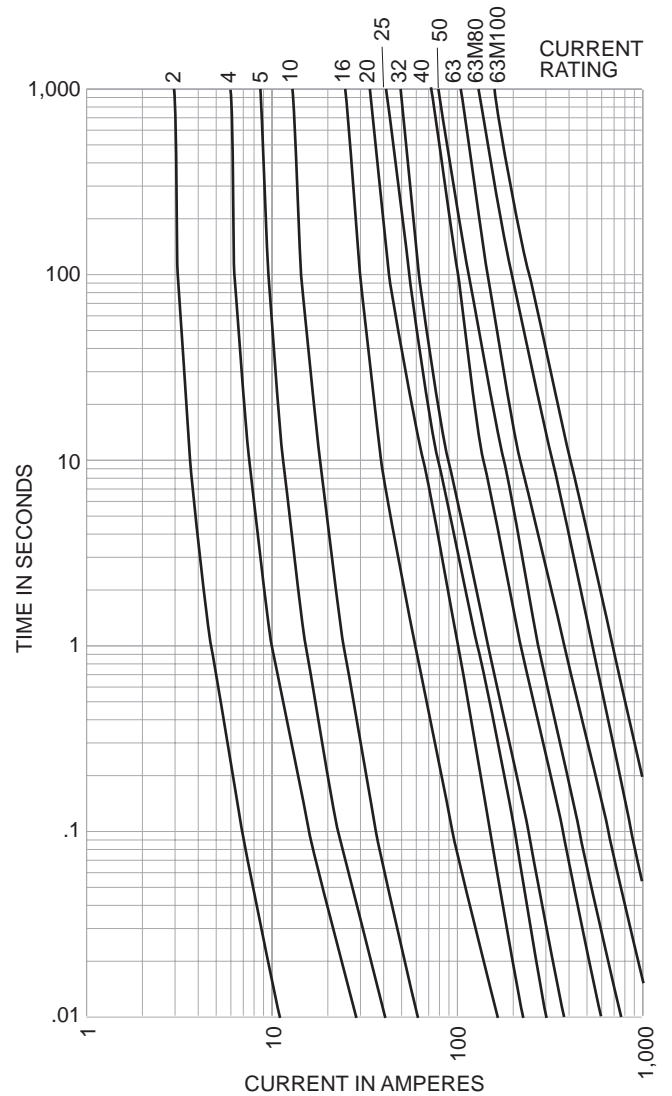


CATALOG SYMBOL: ESD
 INDUSTRIAL HRC FUSE
 OFFSET BLADE TAGS
 PACKAGE QUANTITY: 20
 80kA INTERRUPTING RATING
 MOUNTS IN CAMLOCK OR SAFELOC SERIES HOLDERS

Dimensional Data:



Time-Current Characteristic Curve (Full Size Curves Available)



Electrical Characteristics

Catalog Number	Ampere Rating	I ² T (Amp ² Seconds)			Nom Watts Loss	Rated Voltage	Dimensions (Inches/mm)					
		Pre-Arcing	Total At 415V	Total At 550V			A	B	D	E	F	N
ESD2	2	1.3	4.6	5	0.9	550AC 250DC	35.5	0.54 13.8	67.0	15.0	0.05 1.2	0.14 3.5
ESD4	4	8	27	30	1.4							
ESD6	6	29	100	1.8	115							
ESD10	10	120	400	2.1	490							
ESD16	16	120	470	1.8	730							
ESD20	20	260	1070	1.8	1700							
ESD25	25	560	2300	2	3550							
ESD32	32	710	3000	2.9	5000							
ESD40	40	1500	6000	3.2	—	415AC 250DC	36.5	21.0	68.0	15.0	0.05 1.2	0.14 3.5
ESD50	50	2700	8700	3.9	—							
ESD63	63	5050	13,300	4.6	—	415AC	36.5	21.0	68.0	15.0	0.05 1.2	0.14 3.5
ESD63M80	63M80	12,650	40,000	3.4	—							
ESD63M100	63M100	20,750	70,000	2.5	—							

This bulletin is intended to clearly present comprehensive product data and provide technical information that will help the end user with design applications. Bussmann reserves the right, without notice, to change design or construction of any products and to discontinue or limit distribution of any products. Bussmann also reserves the right to change or update, without notice, any technical information contained in this bulletin. Once a product has been selected, it should be tested by the user in all possible applications.

