

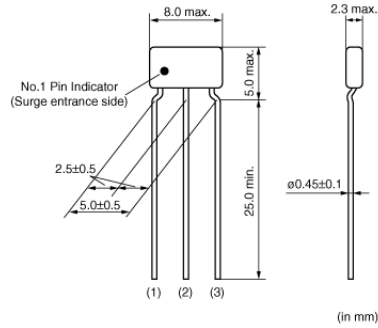
VFR3VD31E131T51#

"##" indicates a package specification code.



< List of part numbers with package codes >
VFR3VD31E131T51B

Appearance & Shape



Features

VFR3V series is designed for ESD surge protection of IC. It efficiently absorbs ESD surges rushed into IC's I/O terminal.

Applications

Elimination of noise and protection of semiconductors in office equipment, including computers and peripheral equipment, copy machines, and communication terminals.

Applications

Other Usage	For general
-------------	-------------

Packaging Information

Packaging	Specifications	Minimum Order Quantity
B	Bulk(Bag)	250

Attention

- 1.This datasheet is downloaded from the website of Murata Manufacturing Co., Ltd. Therefore, it's specifications are subject to change or our products in it may be discontinued without advance notice. Please check with our sales representatives or product engineers before ordering.
- 2.This datasheet has only typical specifications because there is no space for detailed specifications. Therefore, please review our product specifications or consult the approval sheet for product specifications before ordering.

VFR3VD31E131T51#

"#" indicates a package specification code.



Specifications

Shape	Lead
Length	8.0mm
Length Tolerance	max.
Width	2.3mm
Width Tolerance	max.
Thickness	5.0mm
Thickness Tolerance	max.
Rated Current	20mA
Operating Temperature Range	-25°C to 85°C
Mass(typ.)	0.23g
Rated Voltage	25Vdc
Varistor Voltage	50Vdc
Varistor Voltage Tolerance	±20%
Capacitance	130pF
Capacitance Tolerance	±20%
Peak Pulse Current	30A
ESD Test	15kV,100times

Attention

1.This datasheet is downloaded from the website of Murata Manufacturing Co., Ltd. Therefore, it's specifications are subject to change or our products in it may be discontinued without advance notice. Please check with our sales representatives or product engineers before ordering.

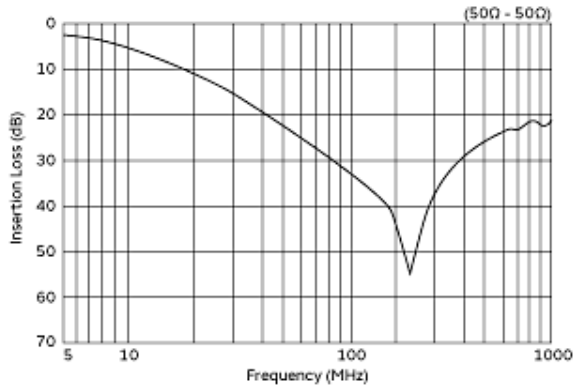
2.This datasheet has only typical specifications because there is no space for detailed specifications.

Therefore, please review our product specifications or consult the approval sheet for product specifications before ordering.

VFR3VD31E131T51#

"#" indicates a package specification code.

Product Data



Insertion Loss Characteristics

Attention

- 1.This datasheet is downloaded from the website of Murata Manufacturing Co., Ltd. Therefore, it's specifications are subject to change or our products in it may be discontinued without advance notice. Please check with our sales representatives or product engineers before ordering.
- 2.This datasheet has only typical specifications because there is no space for detailed specifications. Therefore, please review our product specifications or consult the approval sheet for product specifications before ordering.