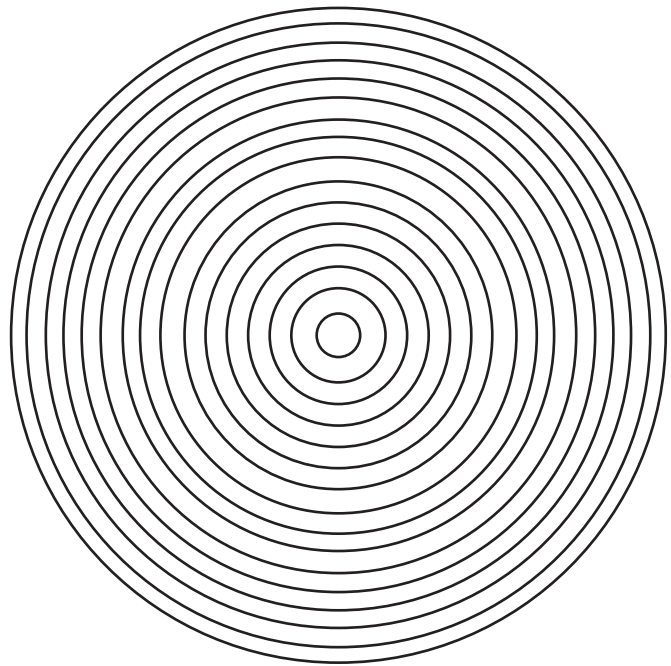
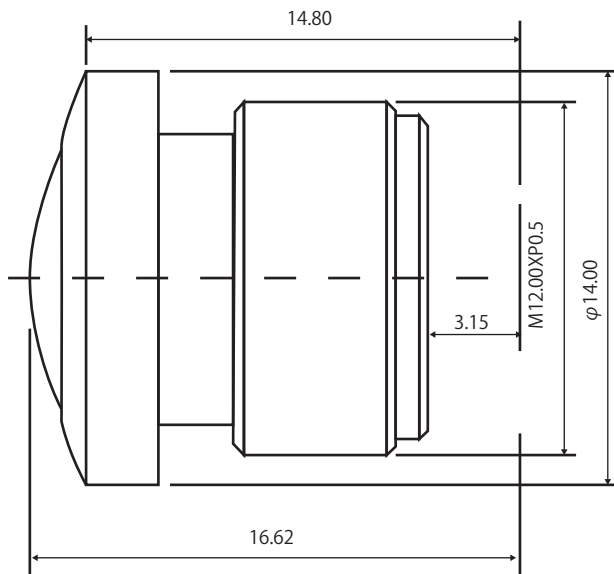


# Entaniya Raspberry Pi RP-L165



## Specification

Image Circle Size	φ 4.90mm
Focal Length	3.15mm
FOV	165°
F number	2.35
Back Focal length	3.15mm
Mount	M12 x P0.5
Lens Configuration	6 glasses

## Image Hight

degree	image hight	degree	image hight
4.87652980	0.14921933	45.51427810	1.36057599
10.56581456	0.32300790	50.39080789	1.49746161
15.44234435	0.47145028	55.26733769	1.63119196
20.31887415	0.61916465	60.14386749	1.76119123
25.19540395	0.76590425	65.02039728	1.88677466
30.07193374	0.91140667	69.89692708	2.00713024
34.94846354	1.05538768	75.58621184	2.13966152
40.63774830	1.22102180	80.46274164	2.24524884

## 1/4" sensor

