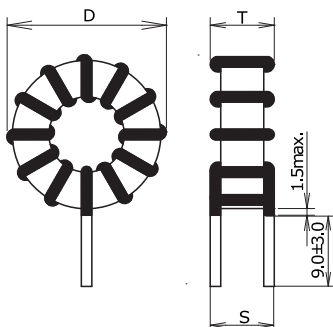


KEMET Part Number: HHBC20-1R7A0152V
(UALC201R7A0152)

KEMET, HHBC, AC Line Filters, Normal Mode, 152 uH, 20%



| Dimensions | |
|------------|------------|
| D | 41.2mm MAX |
| T | 20.4mm MAX |
| LL | 9mm +/-3mm |
| S | 15mm NOM |

| Packaging Specifications | |
|--------------------------|------|
| Packaging: | Tray |
| Packaging Quantity: | 80 |
| Weight: | 72 g |

| General Information | |
|---------------------|---|
| Series: | HHBC |
| Style: | Through-Hole |
| Features: | Noise Solution, Switching Power Supply Outlets, DC-DC Converter |
| RoHS: | Yes |
| Miscellaneous: | 60 (K) Temperature Rise Max. |

| Specifications | |
|-----------------------|------------|
| Inductance: | 152 uH |
| Inductance Tolerance: | 20% |
| Current: | 12 A |
| Temperature Range: | -40/+125°C |
| DC Resistance: | 20.4 mOhms |