

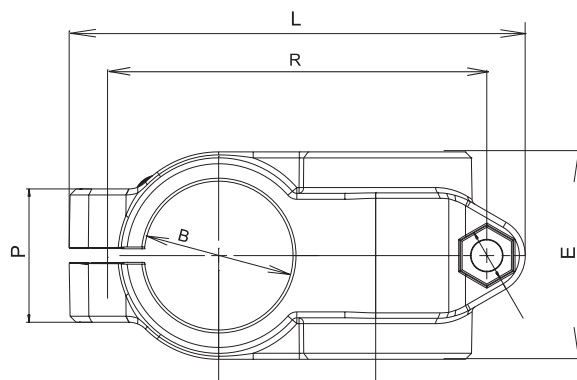
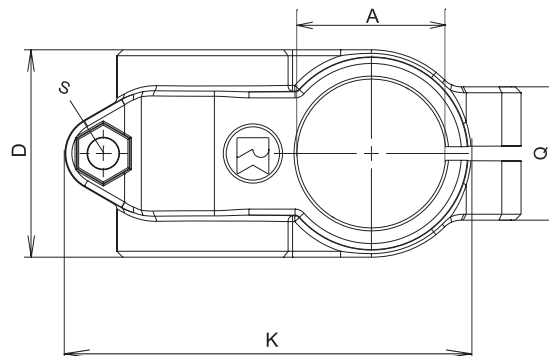
# Solid Clamps – Cross clamps

## Order instruction:

- Standard equipment zinc plated screws
- Clamping lever see accessories page 219

## On request:

- Stainless steel screws
- Ball-polished
- Colour



## K - Industrial design

[mm]

Code No.	Type	A	B	C	D	E	K	L	P	R	S	m [g]
101200000200	K 12	12,1	12,1	20	25,5	25,5	43,5	66	23	49	M6x20	75
101400000200	K 14	14,1	14,1									70
101500000200	K 15	15,1	15,1									67
101600000200	K 16	16,1	16,1									64
101800000200	K 18	18,1	18,1									57
102000000200	K 20	20,1	20,1									252
102500000200	K 25	25,1	25,1	33	40	40	73	99	33	78	M8x25	217
103000000200	K 30	30,1	30,1									173
103020000200	K 30(20)		20,1									195
103025000200	K 30(25)		25,1	195								
103002000200	K 30(32)	30,1	30,1	45	60	60	119	137	40	111	M10x30	665
103200000200	K 32	32,15	32,15									665
103500000200	K 35	35,17	35,17									617
104000000200	K 40	40,17	40,17									527
104200000200	K 42	42,22	42,22	53	70	70	119	154	45	128	M10x35	907
104800000200	K 48	48,22	48,22									755
105000000200	K 50	50,2	50,2									699
105040000200	K 50/40	50,22	40,17	65	80	80	142,5	190	58	158	M12x45	827
106000000200	K 60	60,27	60,25									1101
108000000200	K 80	80,35	80,35	90	120	120	200	255	82	210	M16x65	3870