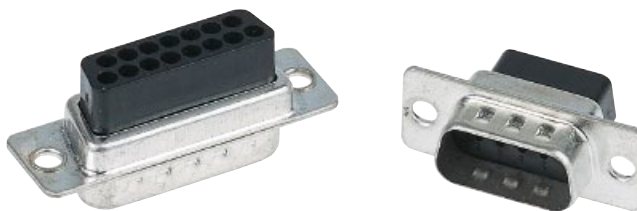


Number of contacts

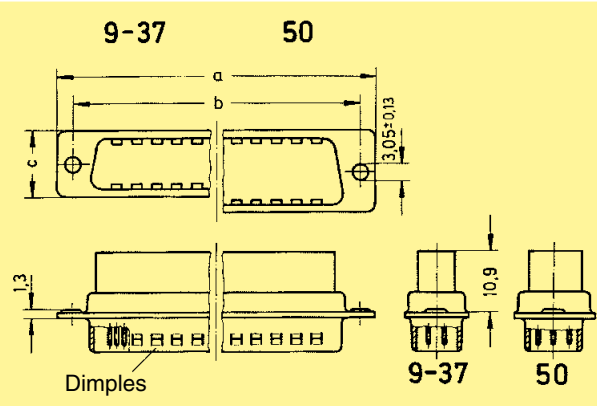
# 9-50



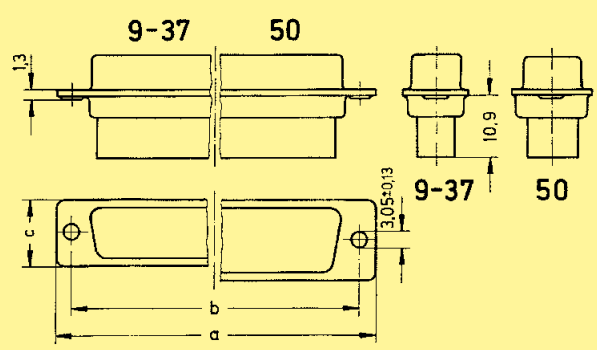
Crimp terminal

Identification	No. of contacts	Part No.
<b>Male connector</b> Order contacts separately  metal shell with dimples	9	09 67 009 5601
	15	09 67 015 5601
	25	09 67 025 5601
	37	09 67 037 5601
	50	09 67 050 5601
<b>Female connector</b> Order contacts separately  metal shell	9	09 67 009 4701
	15	09 67 015 4701
	25	09 67 025 4701
	37	09 67 037 4701
	50	09 67 050 4701

Male connector



Female connector



	a	b <sub>±0.1</sub>	c
9	30.9	25.0	12.5
15	39.2	33.3	12.5
25	53.1	47.0	12.5
37	69.4	63.5	12.5
50	67.0	61.1	15.4

Panel cut out for front/rear mount  
Values are taken from the CECC 75 301-802

see page 05.24

Dimensions in mm