



Brand of NTN Group

Technical data

SESF211N

Bearing units

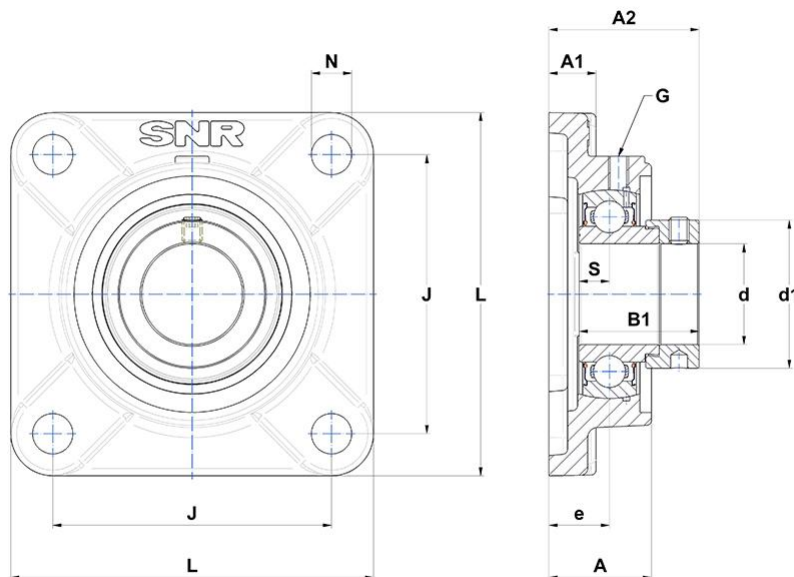


Stainless steel cast housing, stainless steel insert ball bearing with eccentric locking collar, single lip seal, food grease

KIT CONTENT

SES211, SF211N

VISUAL (S)



PRODUCT DEFINITION

Brand	SNR
A - Housing height	44 mm
A1 - Housing foot height / flange height	20 mm
A2 - Total height from mounting surface	62,9 mm
B - Width of Inner Ring	32,5 mm



NTN Europe

1 rue des Usines · BP 2017 · 74010 Annecy Cedex · France · Tel. +33 (0)4 50 65 30 00
S.A. au capital de 322 639 919 € · RCS ANNECY B 325 821 072 · Id. Fiscale : FR 48 325 821 072
SIRET 325 821 072 00015 · Code APE 2815 Z · Code NACE 28.15

PRODUCT DEFINITION

B1 - Overall width Inner Ring	48,4 mm
d - Shaft diameter	55 mm
d1 - Outer dia of eccent. Lock. collar / nut of adapter sleeve	76,2 mm
e - Distance mounting surface to bearing center	25 mm
G - Grease fitting	M6x1
J - Mounting holes distance	130 mm
L - Housing width / diameter	162 mm
N - Mounting hole dimension	19 mm
S - Distance front side/bearing centre	10,5 mm

PRODUCT PERFORMANCE

C - Dynamic load rating	43300000 mN
C0 - Static load rating	29200000 mN
Operating temperature min.	253,15 °K
Operating temperature max.	373,15 °K

OTHER FEATURES

Mass	4,14 kg
Recommended tightening torque for set screw	18.7 N-m

