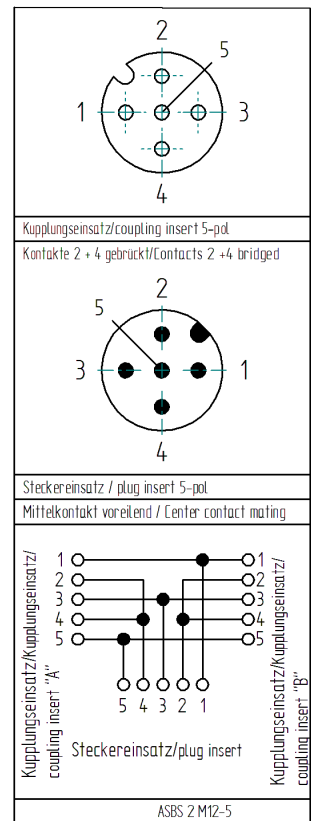
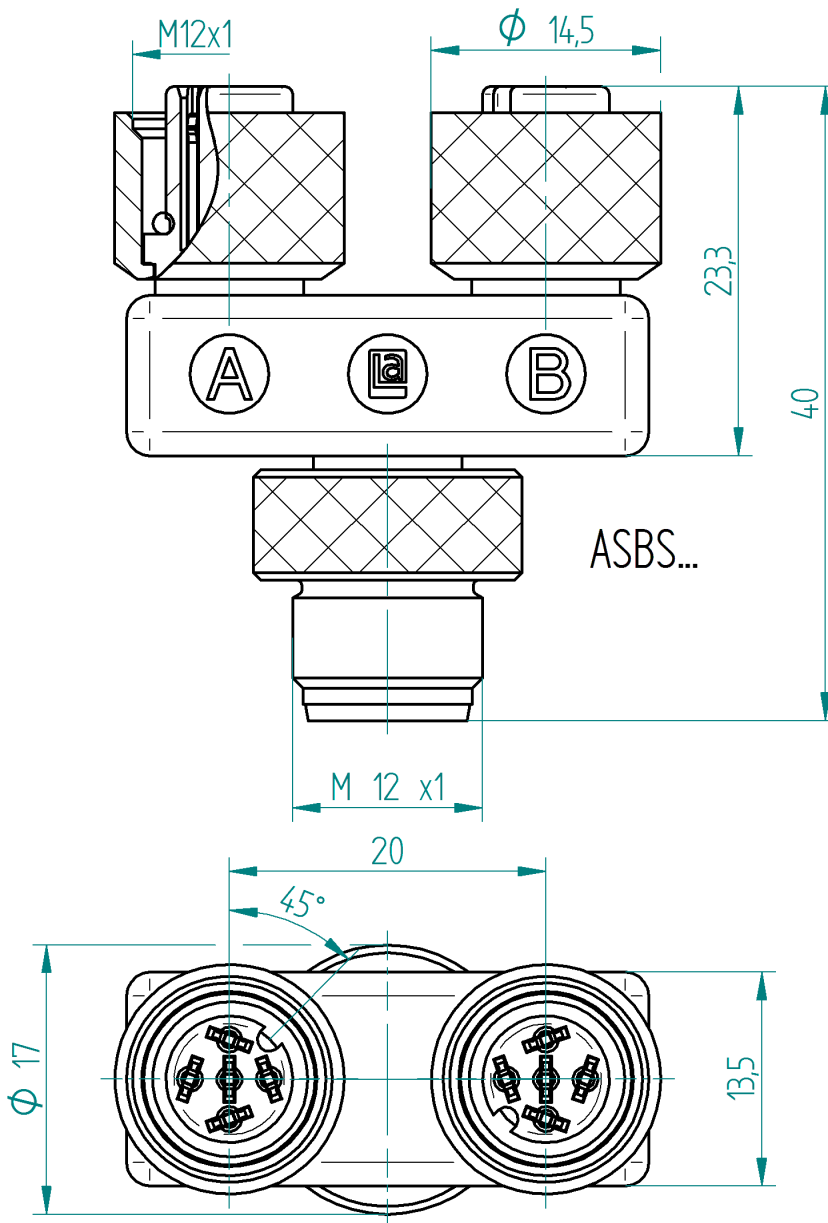
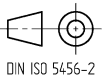


RoHS ✓



The information/details in this datasheet merely contain general descriptions or performance factors which, when applied in an actual situation, do not always correspond with the described form, and may be amended by way of the further development of products. The desired performance factors shall only be binding if these are expressly agreed on conclusion of the contract.



Product description

T-connector with two M12 female connectors

Type	ASBS 2 M12-5 P11
Order No	8436
Type of contacts	female/male
Number of contacts	5
Standard	IEC 61076-2-101
Color housing	orange
Color contact bearer	Kupplung: black Stecker: orange

Technical data

Rated voltage	60V AC/DC
Rated current *	4 A per outlet/ 4 A max. total
Rated impulse voltage	1,5kVeff.
Pollution degree	3 acc. to DIN EN 60664-1 (VDE 0110-1)
Contact resistance	≤ 5 mOhm
Insulation resistance	> 10 ⁹ Ohm

* Notice derating

Materials

Contact bearer	TPU, male connector PA GF, female connector
over molding	TPU
Contact	CuZn
Contact plating	Ni/Au
Coupling screw	CuZn, nickel-plated
Coupling nut	CuZn, nickel-plated
Coupling nut	CuZn, PTFE
O-ring	FKM

Environmental conditions

Protection class (IEC 60529) *	IP67
Temperature range (connector)	-25°C to +90°C, notice derating

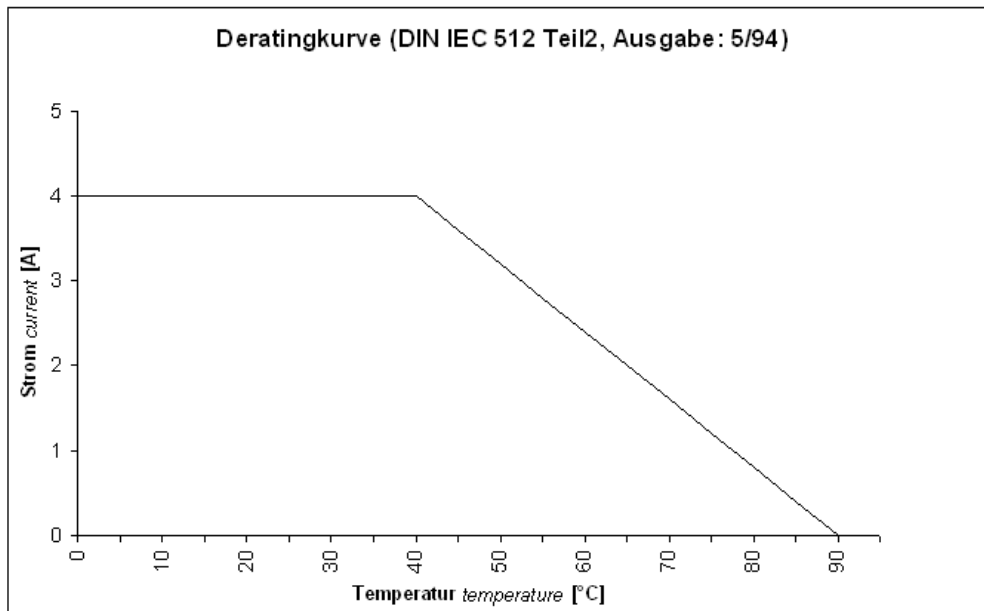
Good chemical resistance.

The resistance has to be checked in individual cases.

* only if mounted and locked in combination with Hirschmann / Lumberg connector.

Notes

Do not connect / disconnect under load.



product overview

Article-No.	Type
000-008-436	ASBS 2 M12-5 P11