



Image may differ from product. See technical specification for details.

## UC 306

### Insert bearing with set screw locking and extended inner ring

Insert bearings are based on sealed deep groove ball bearings. This variant is suitable for applications with both constant and alternating directions of rotation. It has an inner ring extended on both sides and is locked onto the shaft by tightening two (set) screws on the inner ring, making it easy to mount.

- Designed for a constant and alternating rotation
- Quick and easy to mount onto the shaft
- Reduce noise and vibration levels

Ask AI 

## Overview

### Dimensions

Shaft diameter	30 mm
Bore diameter	30 mm
Outside diameter	72 mm
Width, total	43 mm
Width, inner ring	43 mm
Width, outer ring	21 mm

### Performance

Basic dynamic load rating	26.5 kN
Basic static load rating	15 kN
Limiting speed	5 300 r/min
Note	Limiting speed with shaft tolerance h6

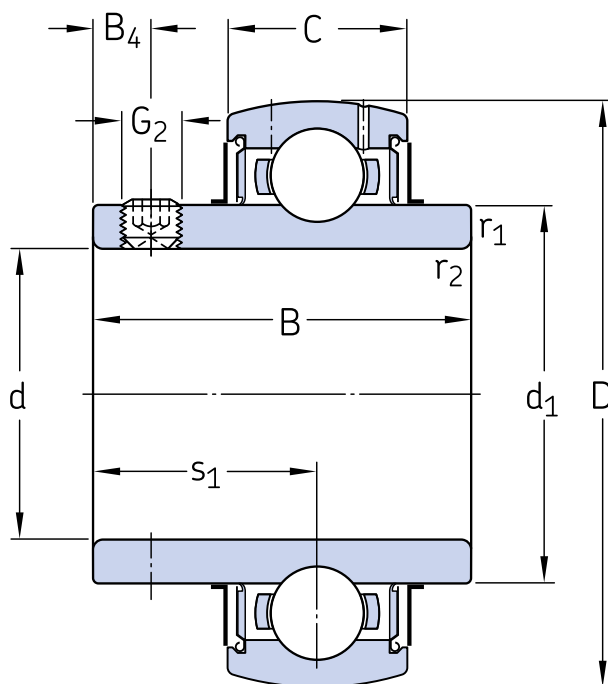
### Properties

Retaining feature, inner ring	Set screws
Bore type	Cylindrical
Rolling elements	Balls
Outer ring type	Spherical
Inner ring extension	On both sides
Cage	Sheet metal
Rubber seating ring	Without
Material, bearing	Bearing steel
Coating	Without
Sealing	Seal and flinger on both sides
Sealing type	Contact, standard
Lubricant	Grease
Relubrication feature	With

### Logistics

Product net weight	0.54 kg
eClass code	23-05-16-02
UNSPSC code	31171536

## Technical specification



## Dimensions

$d$	30 mm	Bore diameter
$D$	72 mm	Outside diameter
$B$	43 mm	Width of inner ring
$C$	21 mm	Width of outer ring
$d_1$	$\approx 44.8$ mm	Outside diameter of inner ring
$B_4$	6 mm	Distance face to thread centre
$r_{1,2}$	min. 2 mm	Chamfer dimension of inner ring
$S_1$	26 mm	Distance from locking device side face to raceway centre

## Calculation data

Basic dynamic load rating	$C$	26.5 kN
Basic static load rating	$C_0$	15 kN
Fatigue load limit	$P_u$	0.64 kN
Limiting speed		5 300 r/min
		Limiting speed with shaft tolerance $h_6$
Calculation factor	$f_0$	13

## Mounting information

Set screw	$G_2$	M6x1
-----------	-------	------

---

Hexagonal key size for set screw	N	3.05 mm
Recommended tightening torque for set screw		4 N·m

---

## Tolerances and clearances

---

### GENERAL BEARING SPECIFICATIONS

- [Tolerances: table 1, table 2](#)
- [Radial internal clearance: Standard inner ring, Other bearings](#)

## BEARING INTERFACES

- [Shaft tolerances](#)



# Terms of use